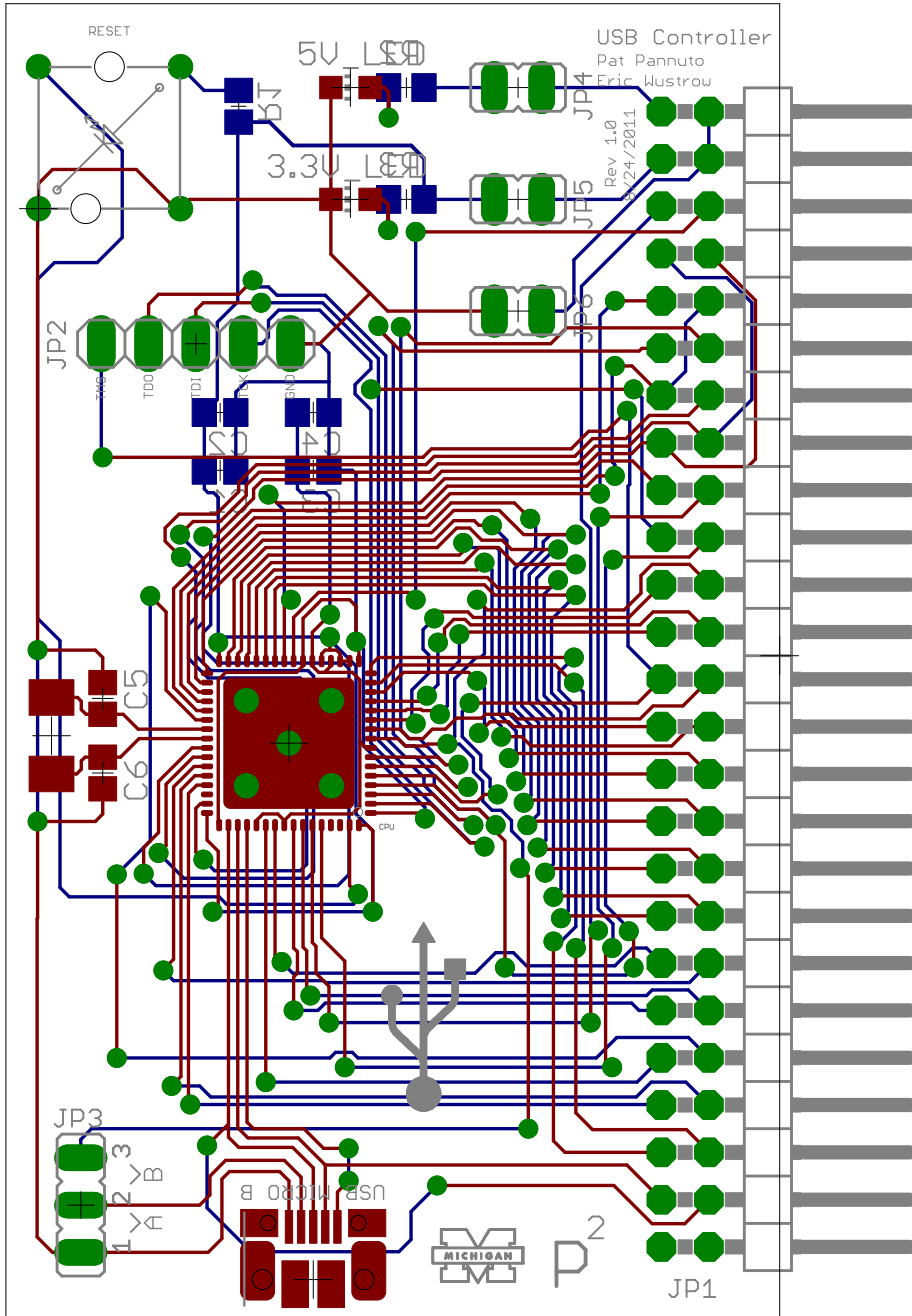
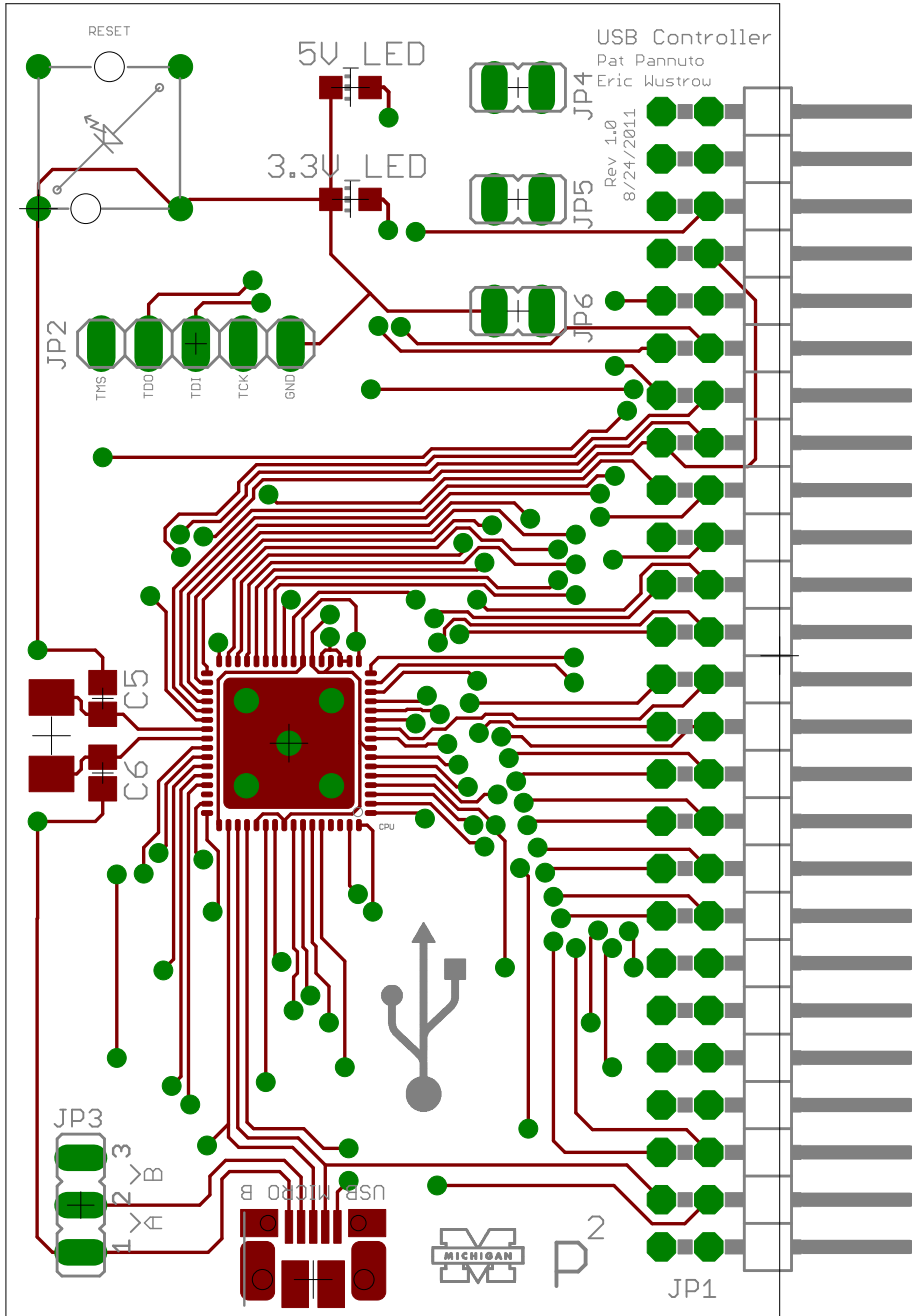


Top and Bottom Layers



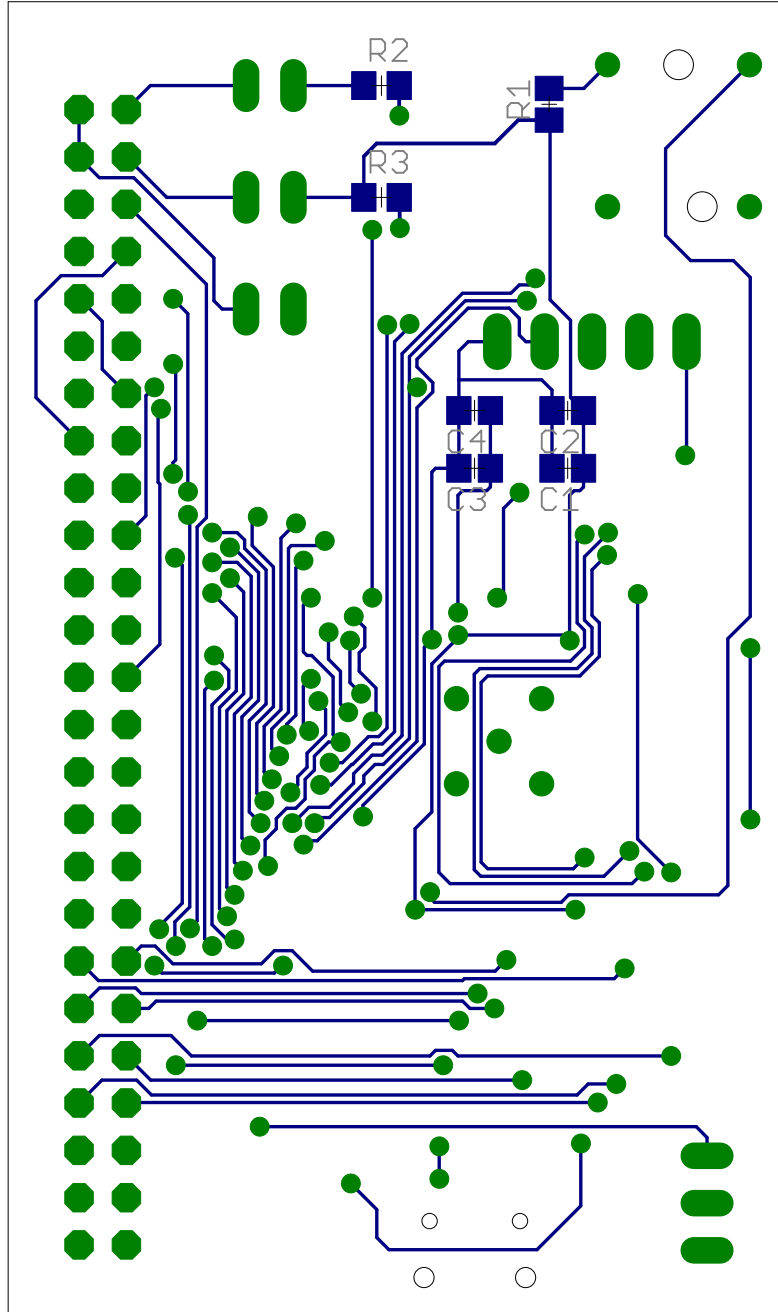
U\$2

Top Layer

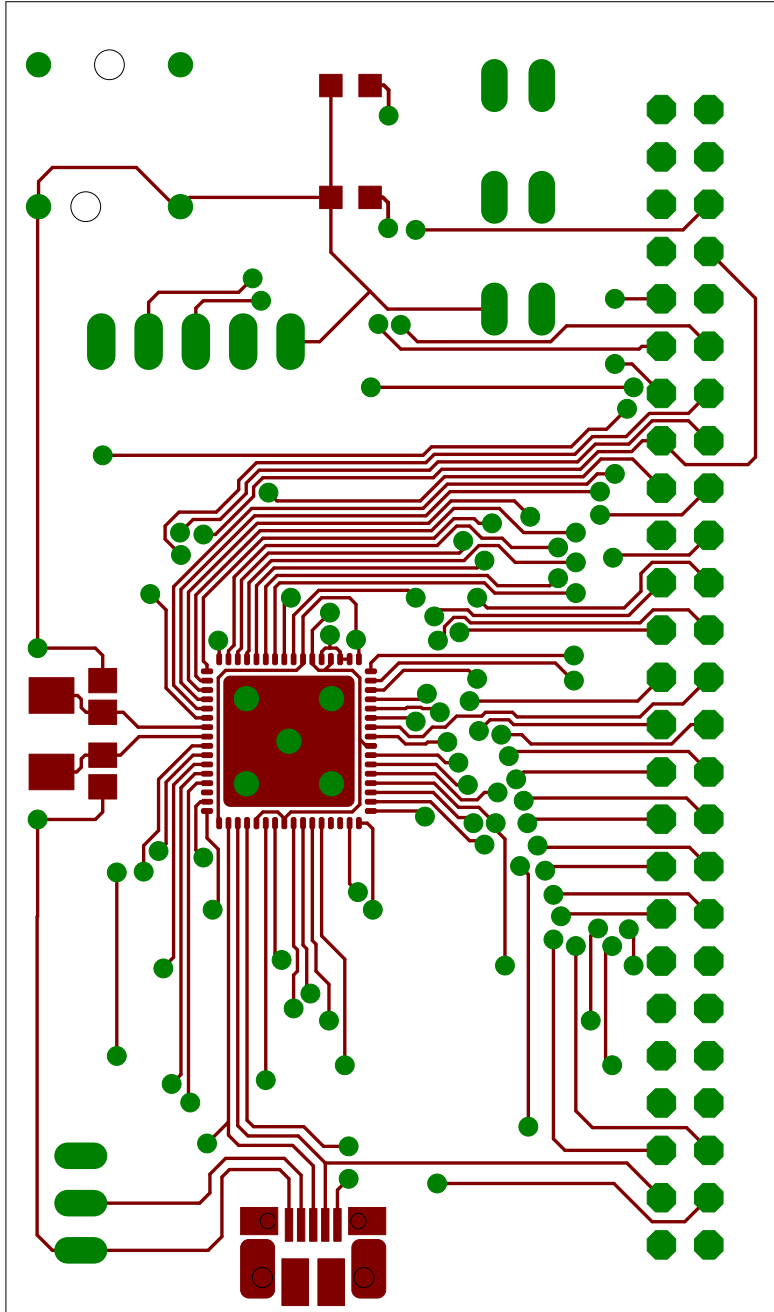


U\$2

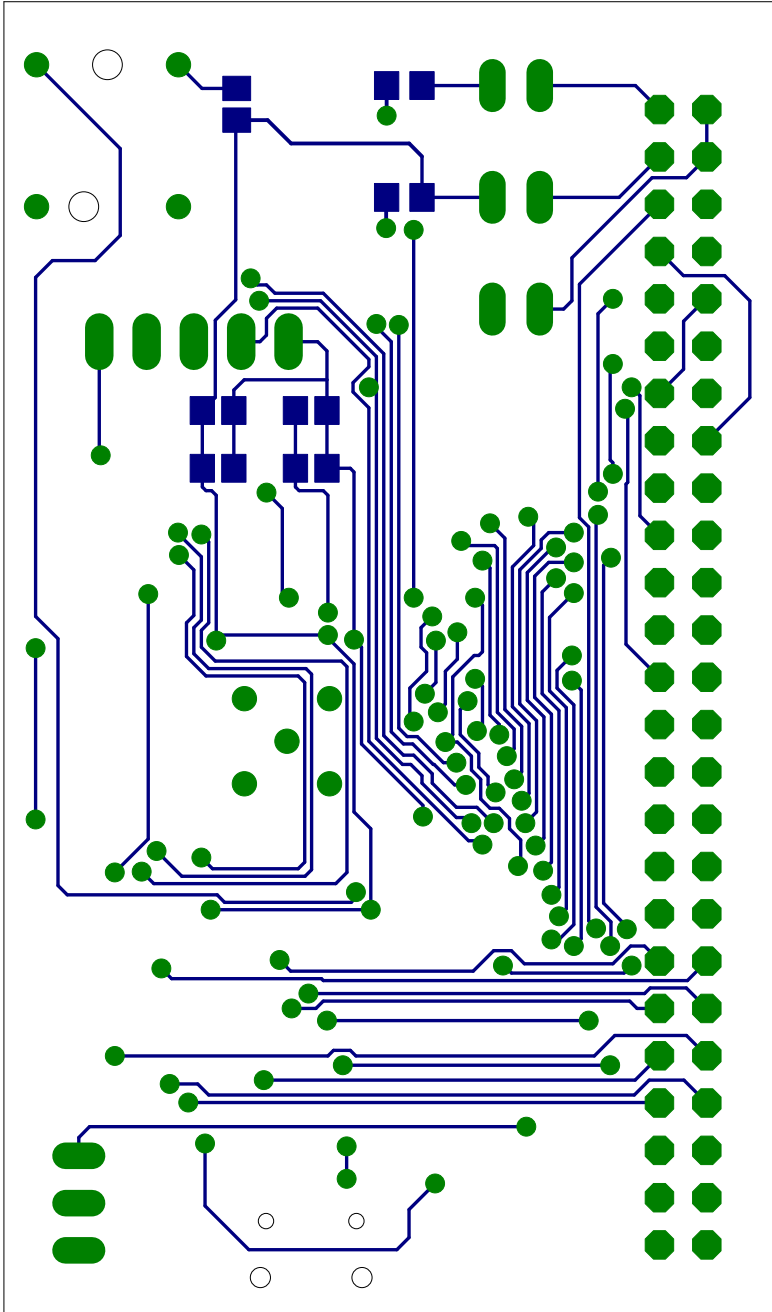
Bottom Layer



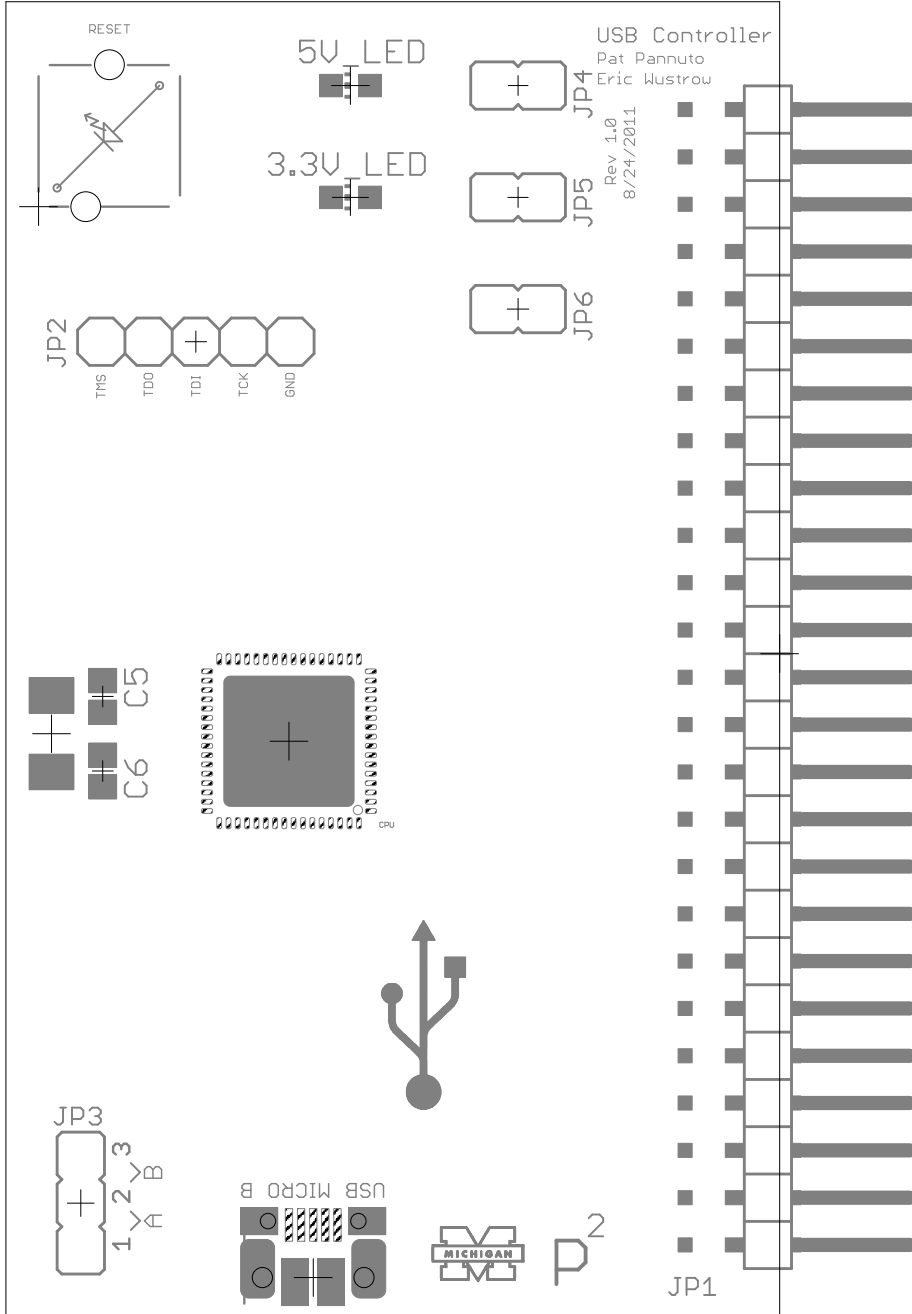
Top Copper Layer



Bottom Copper Layer

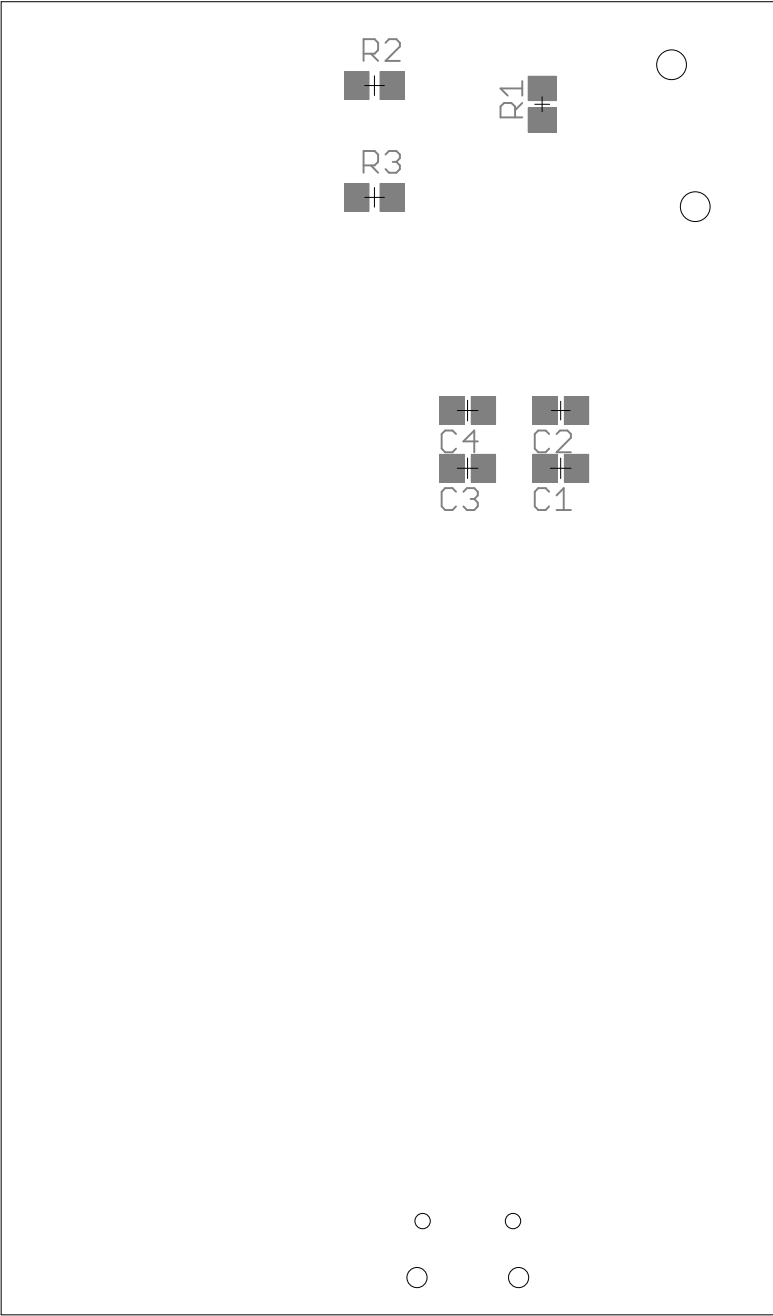


Top Paste Layer with Silkscreen



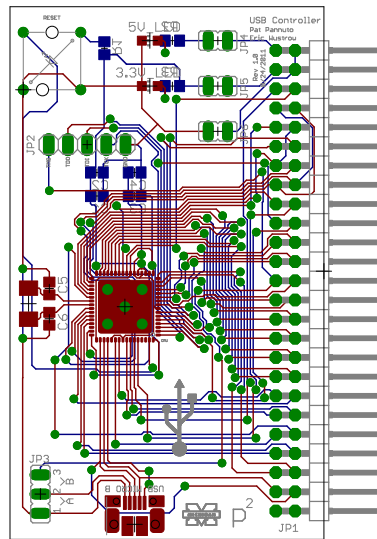
U\$2

Bottom Paste Layer with Silkscreen

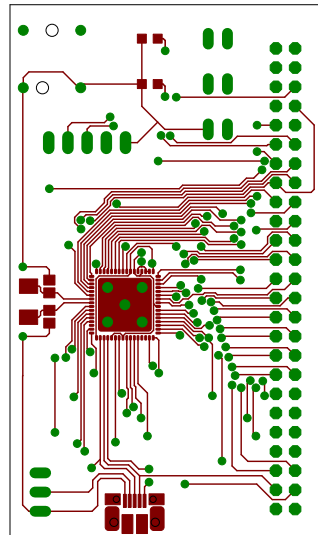




Top and Bottom Layers 1:1 Scale



US2



Bottom Copper Layer 1:1 Scale

