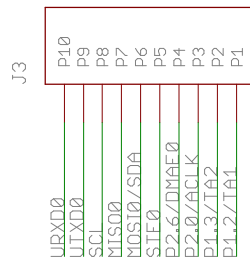
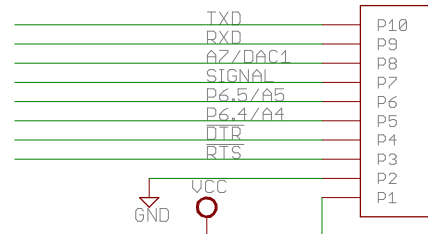


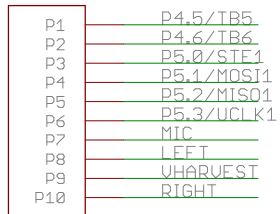
Top



J2

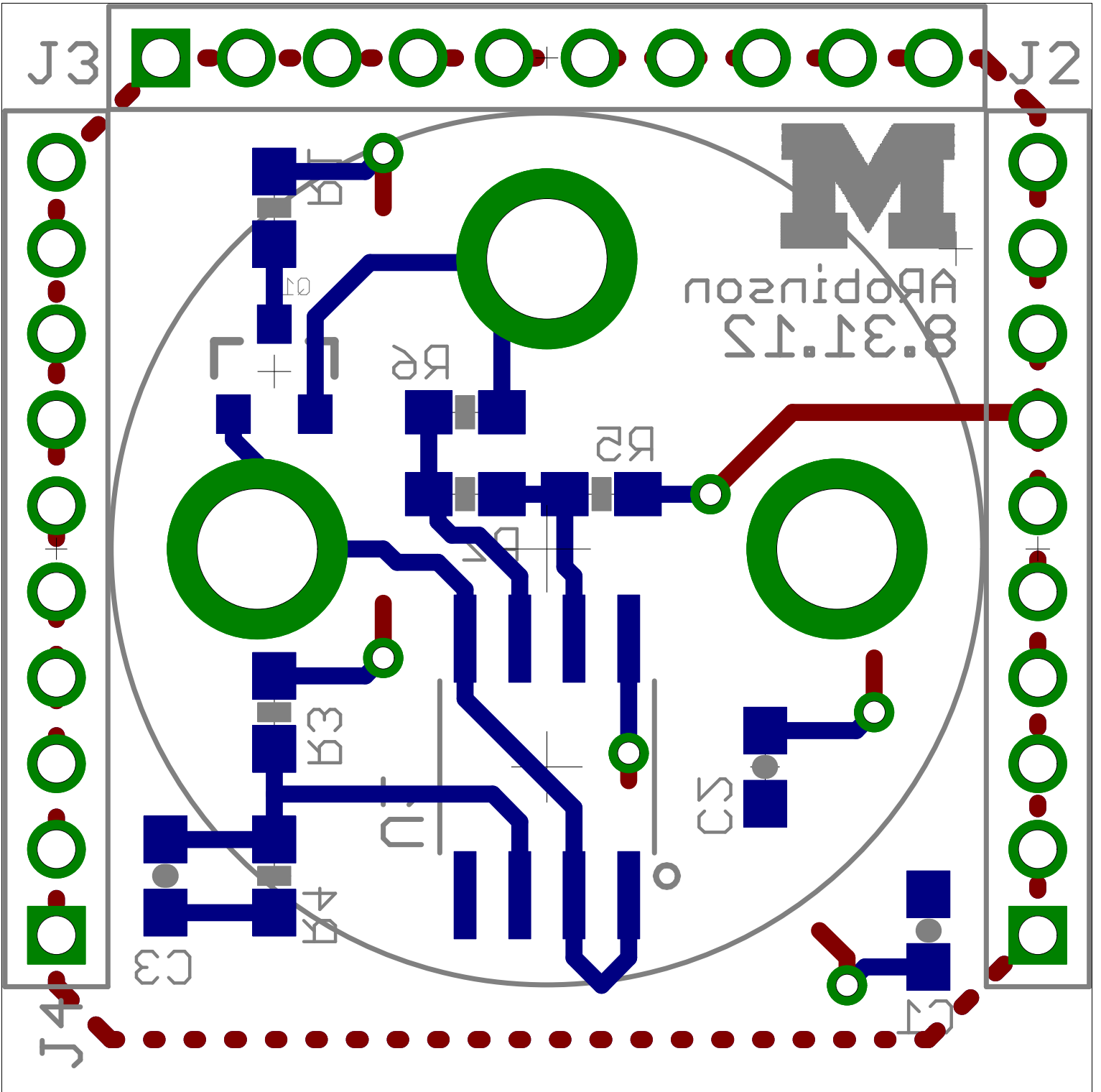


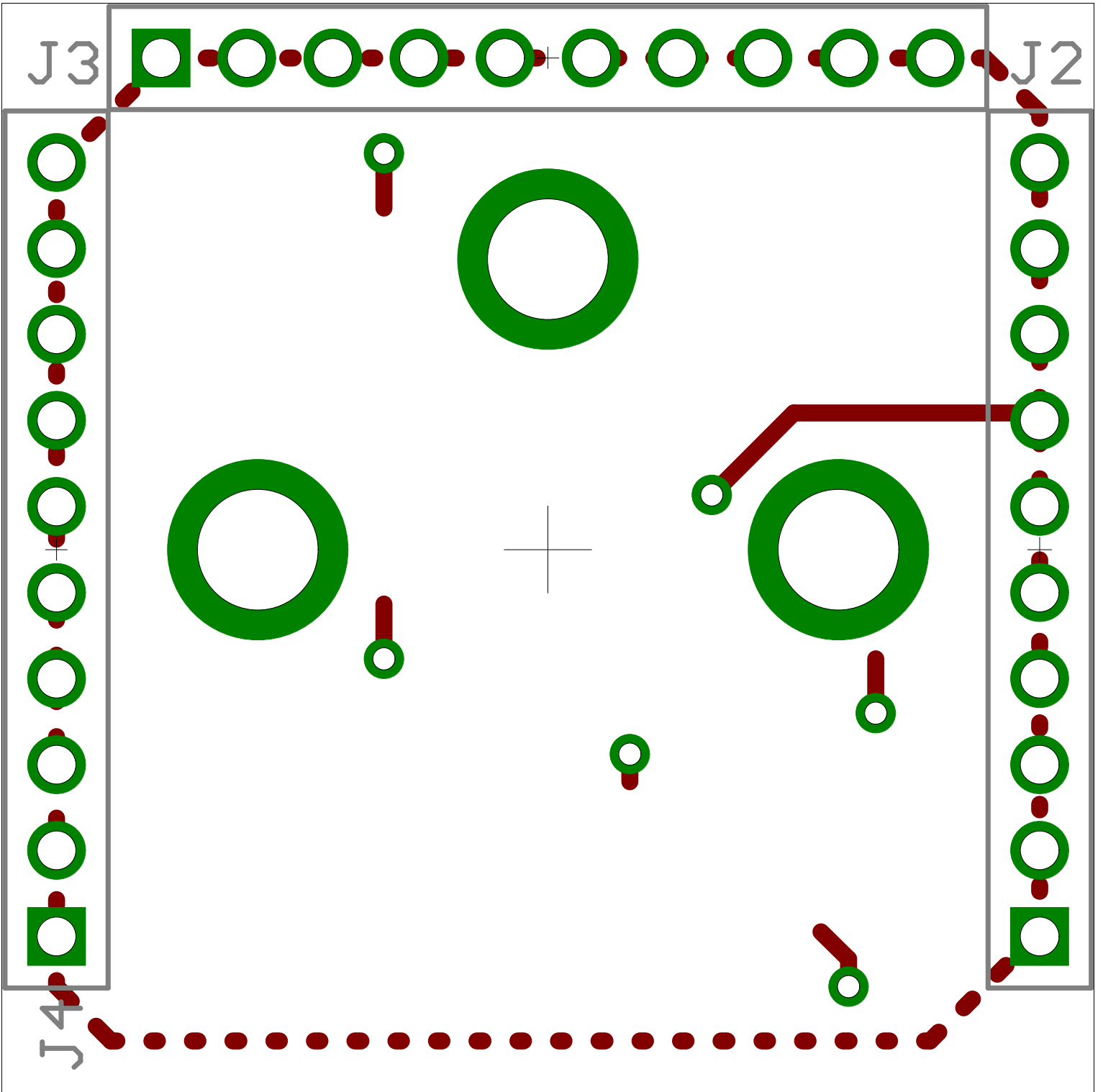
Left

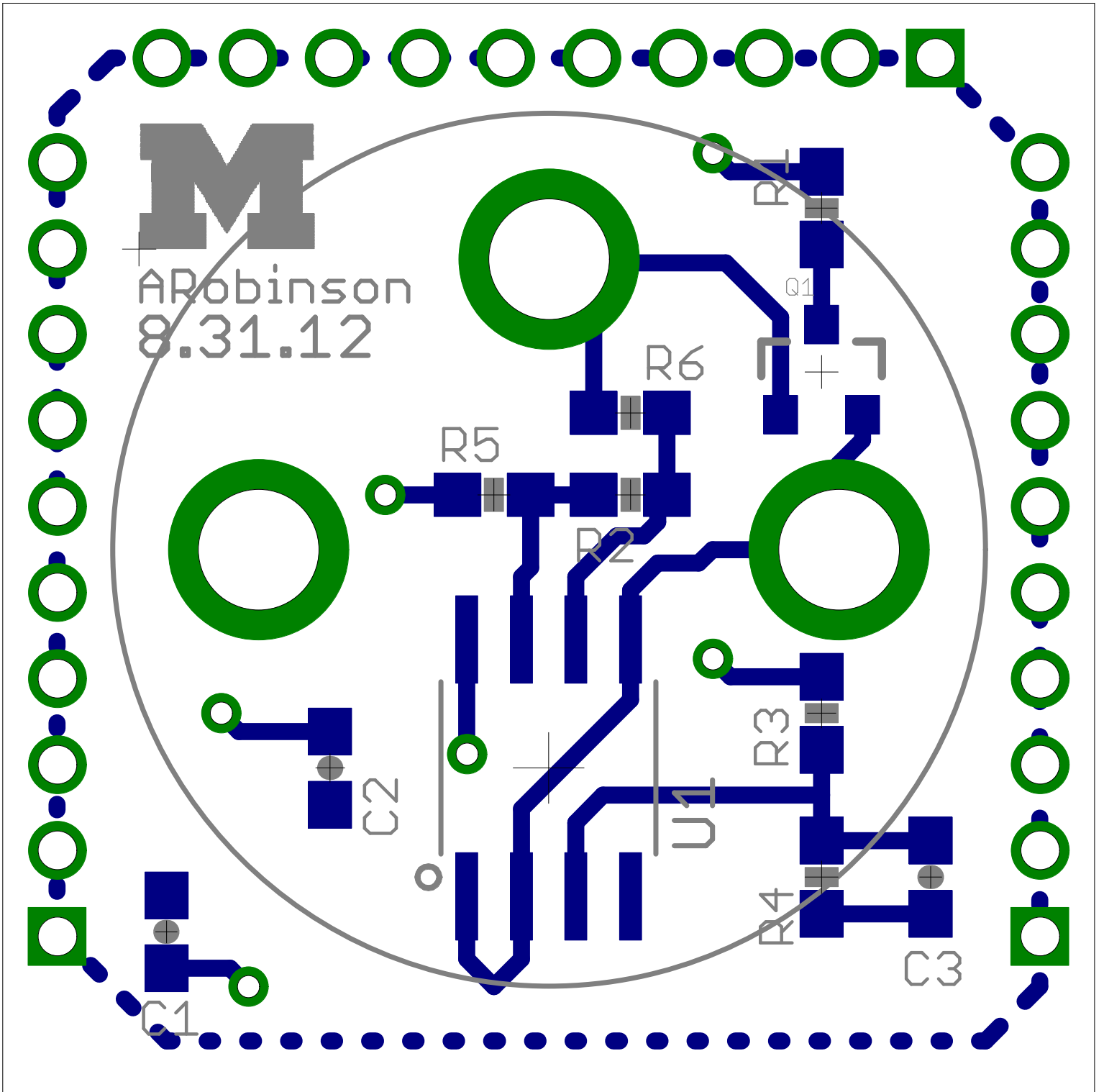


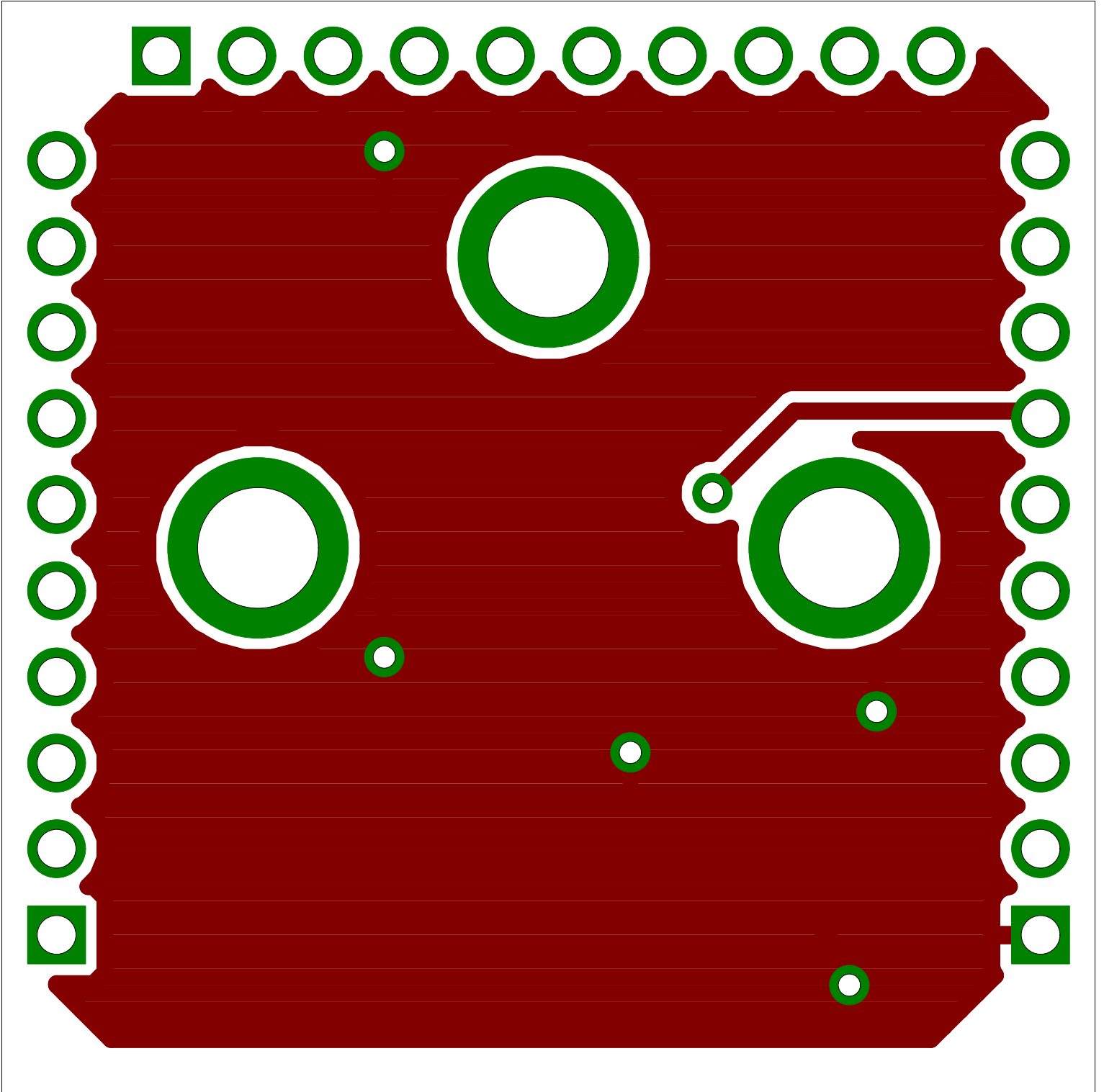
J4

TITLE: main	
Document Number:	REV:
Date: 10/15/13 1:50 PM	Sheet: 1/1

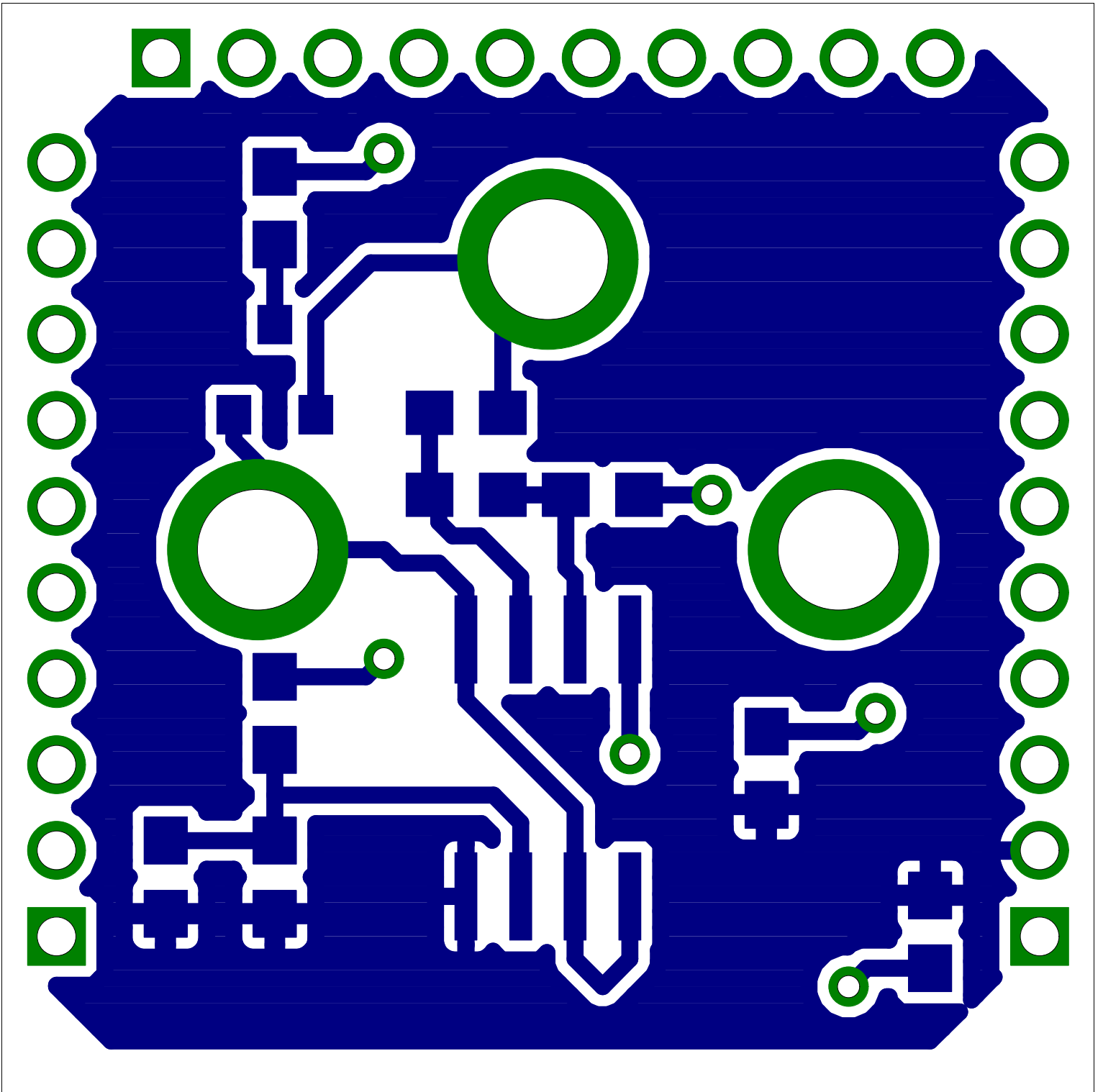




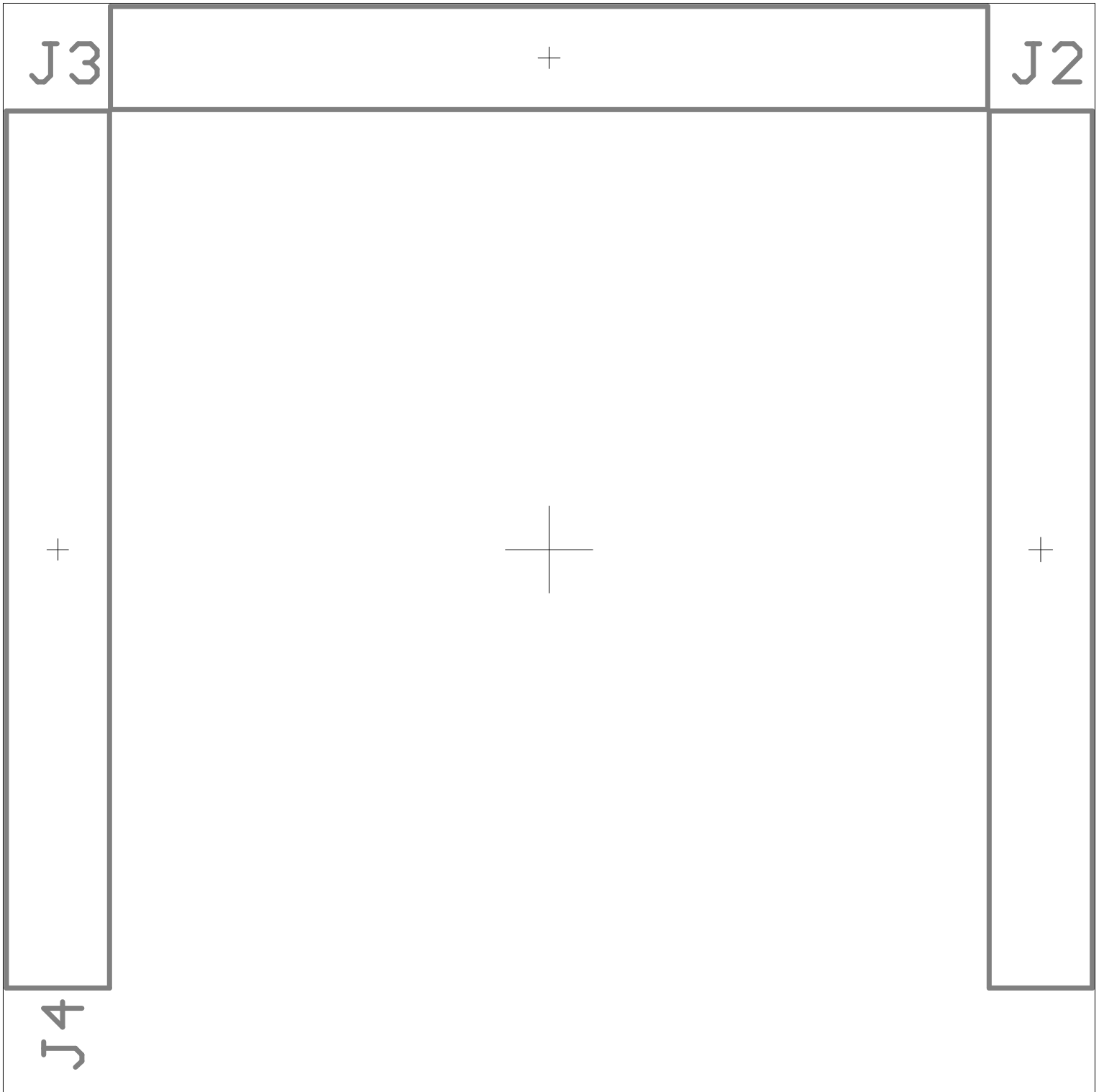




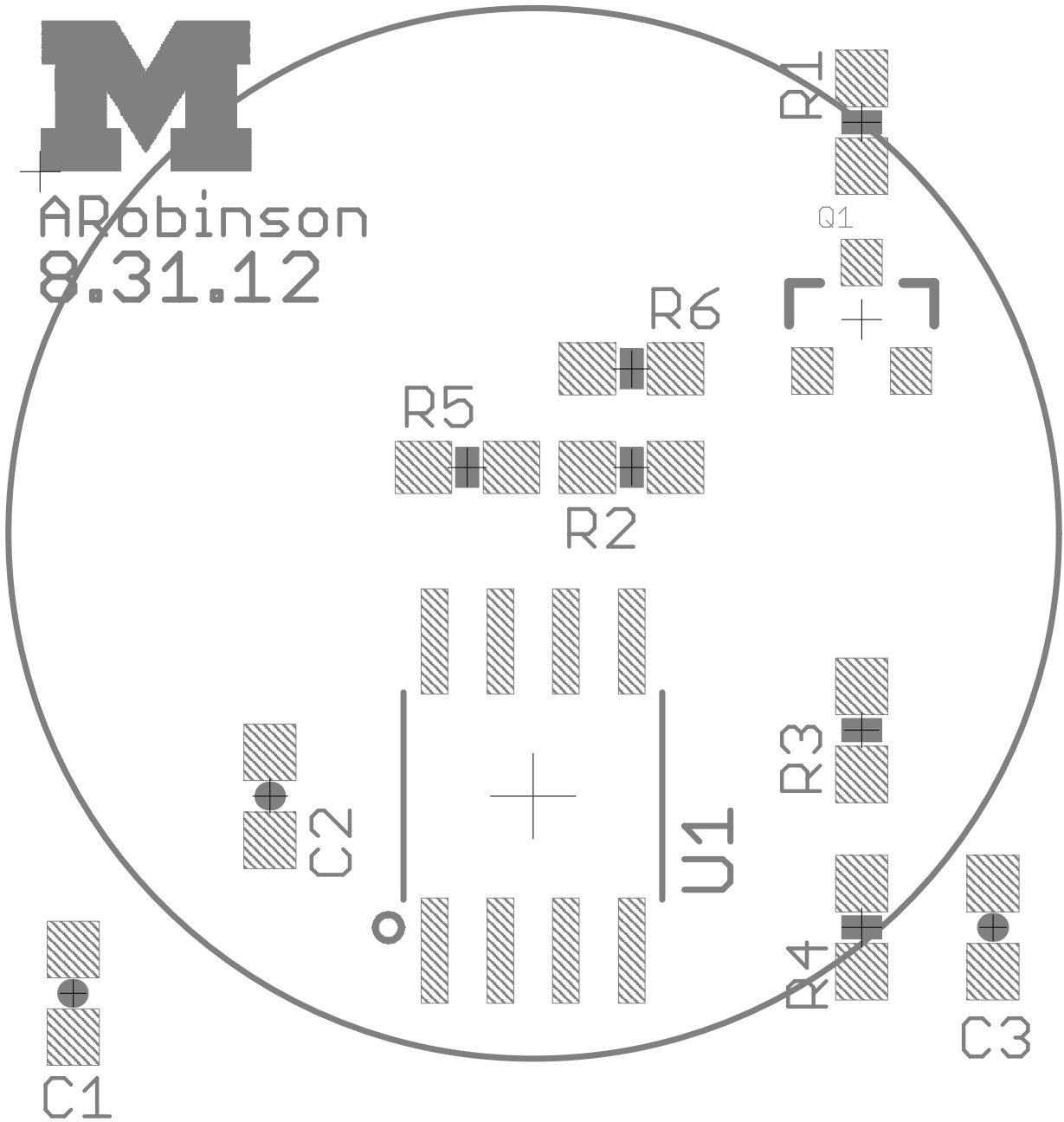
Bottom Copper Layer



Top Paste Layer with Silkscreen

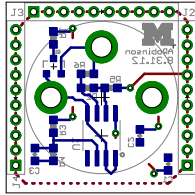


**M**  
ARobinson  
8.31.12

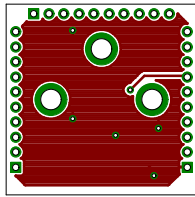




Top and Bottom Layers 1:1 Scale



Top Layer 1:1 Scale



Bottom Copper Layer 1:1 Scale

