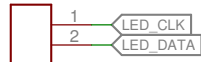
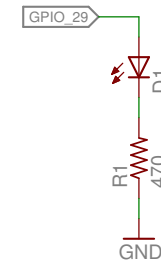
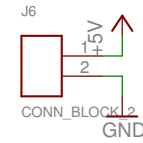
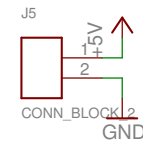
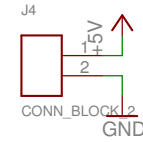
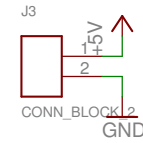
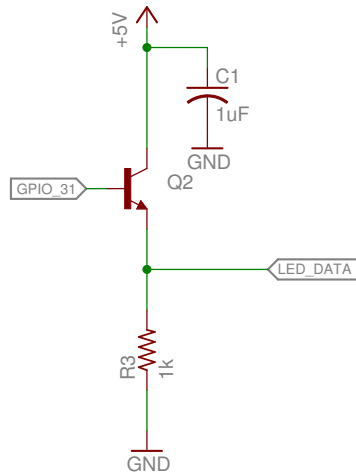
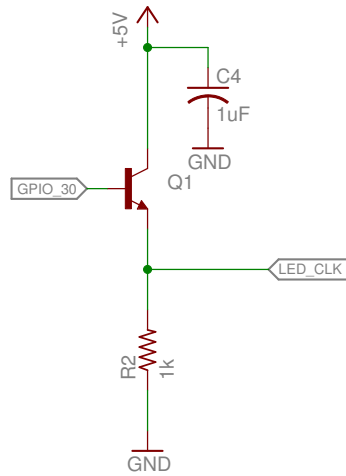
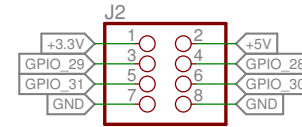
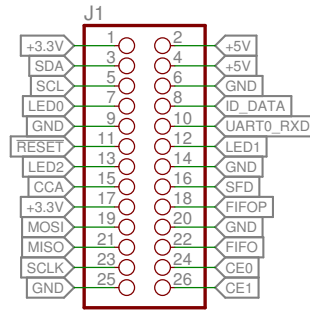


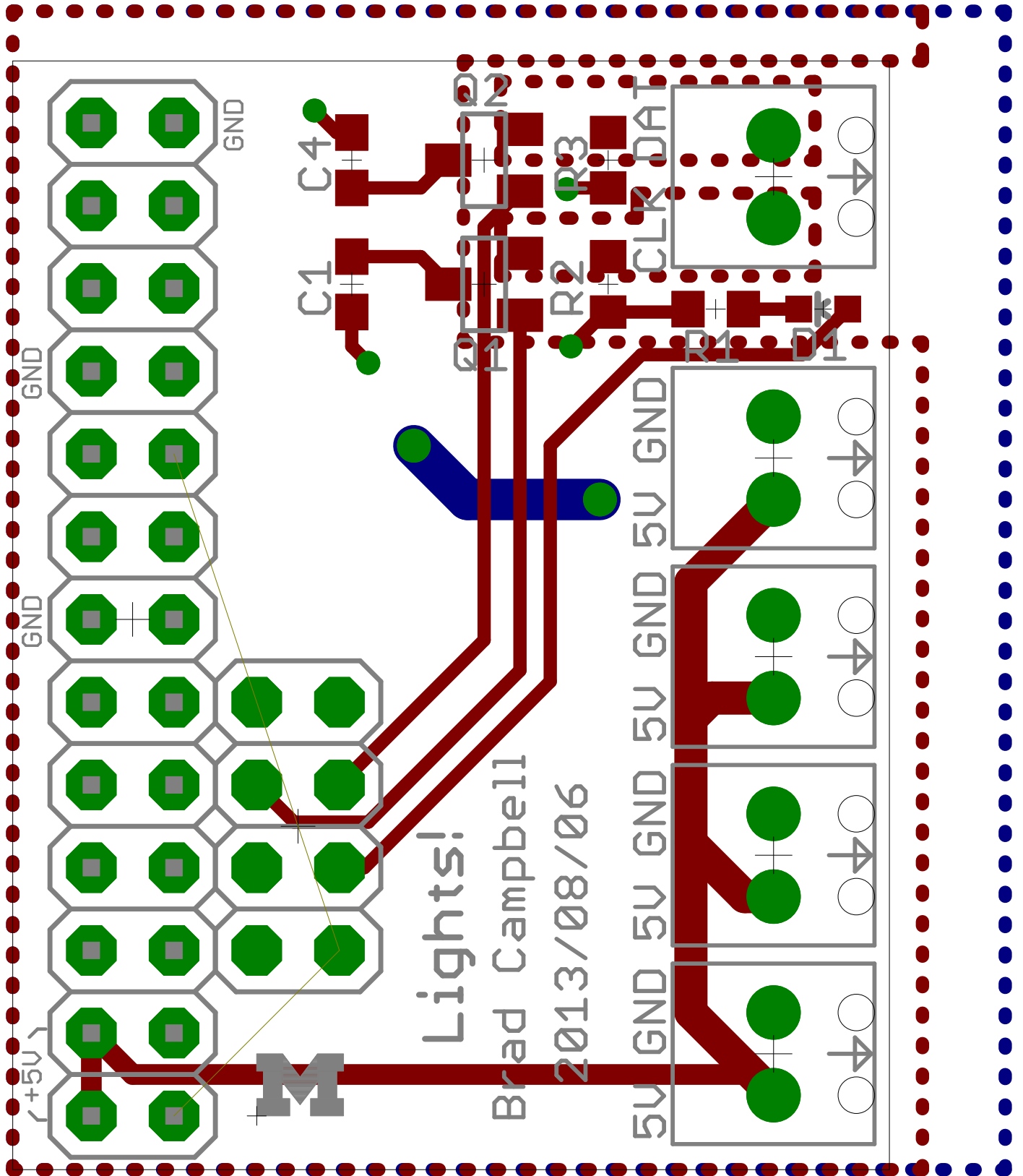


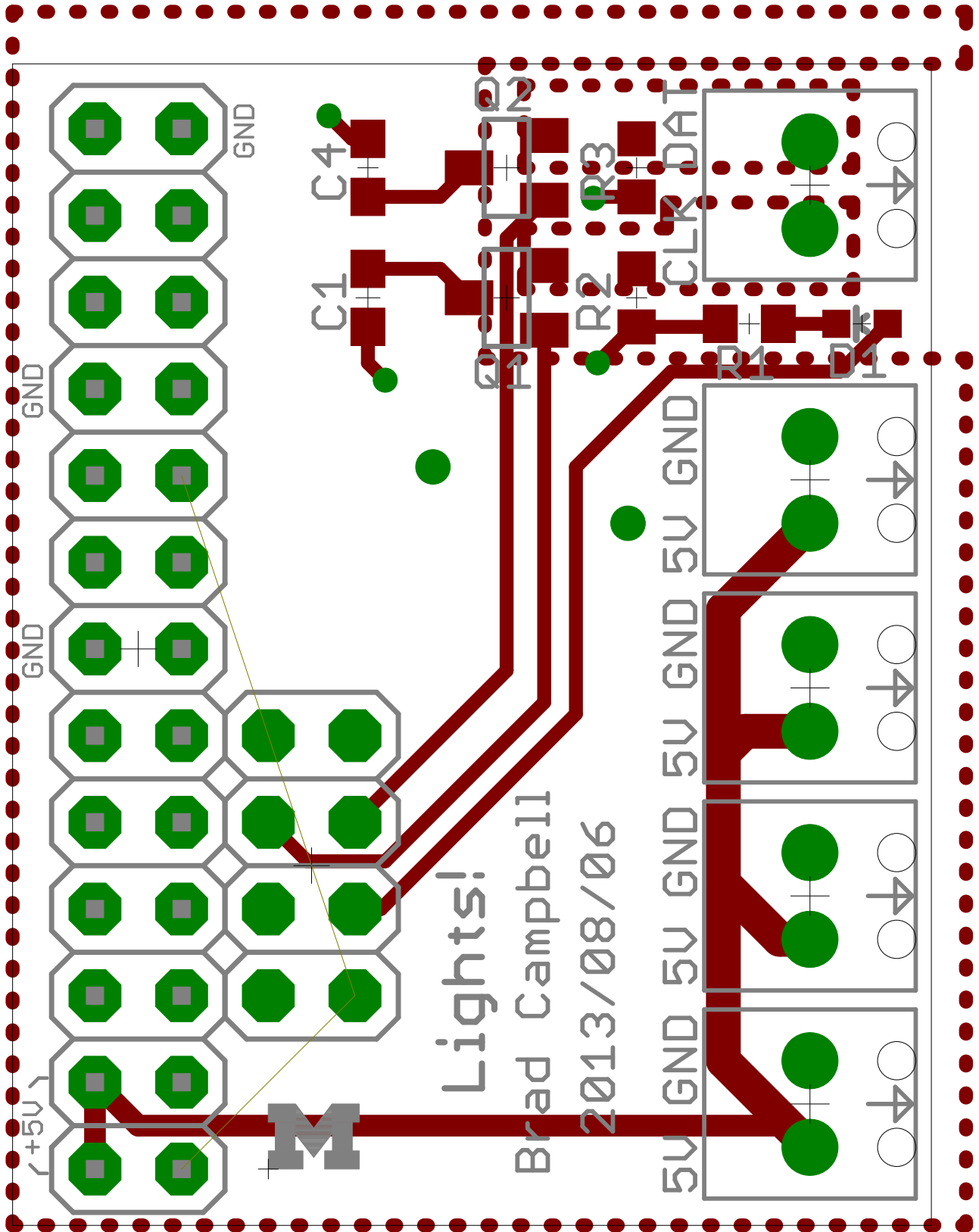
24VPPOWER



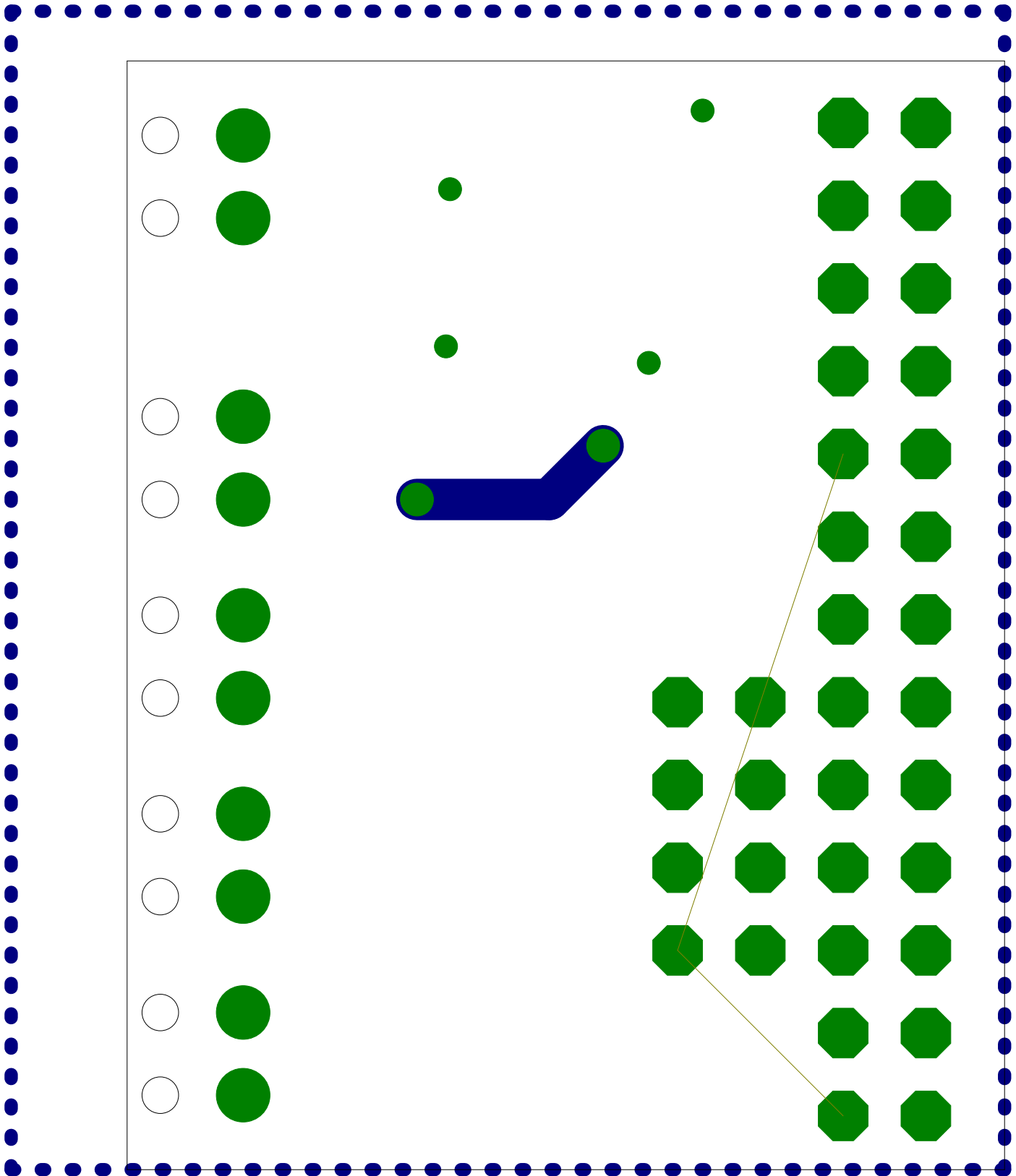
CONN_BLOCK_2



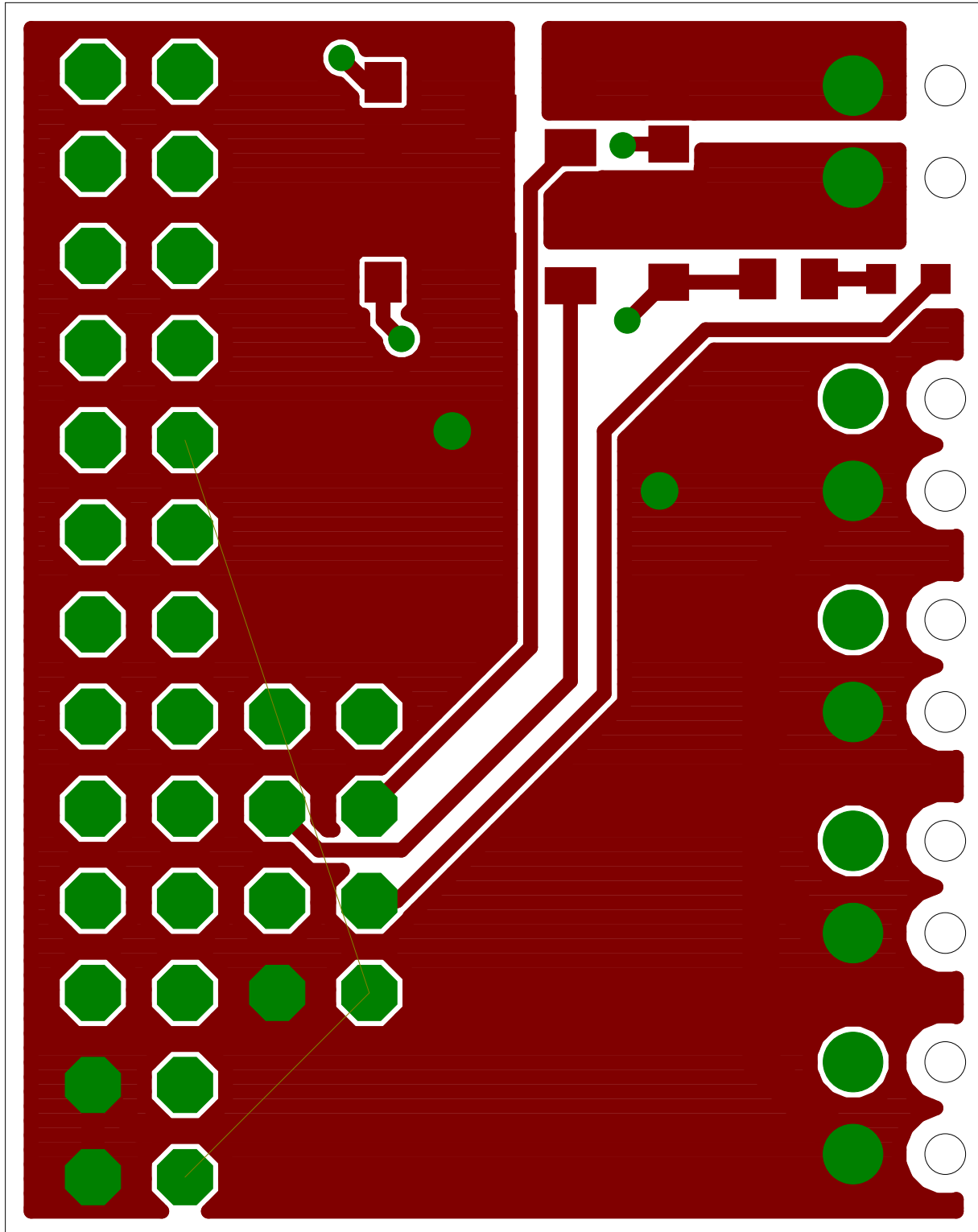




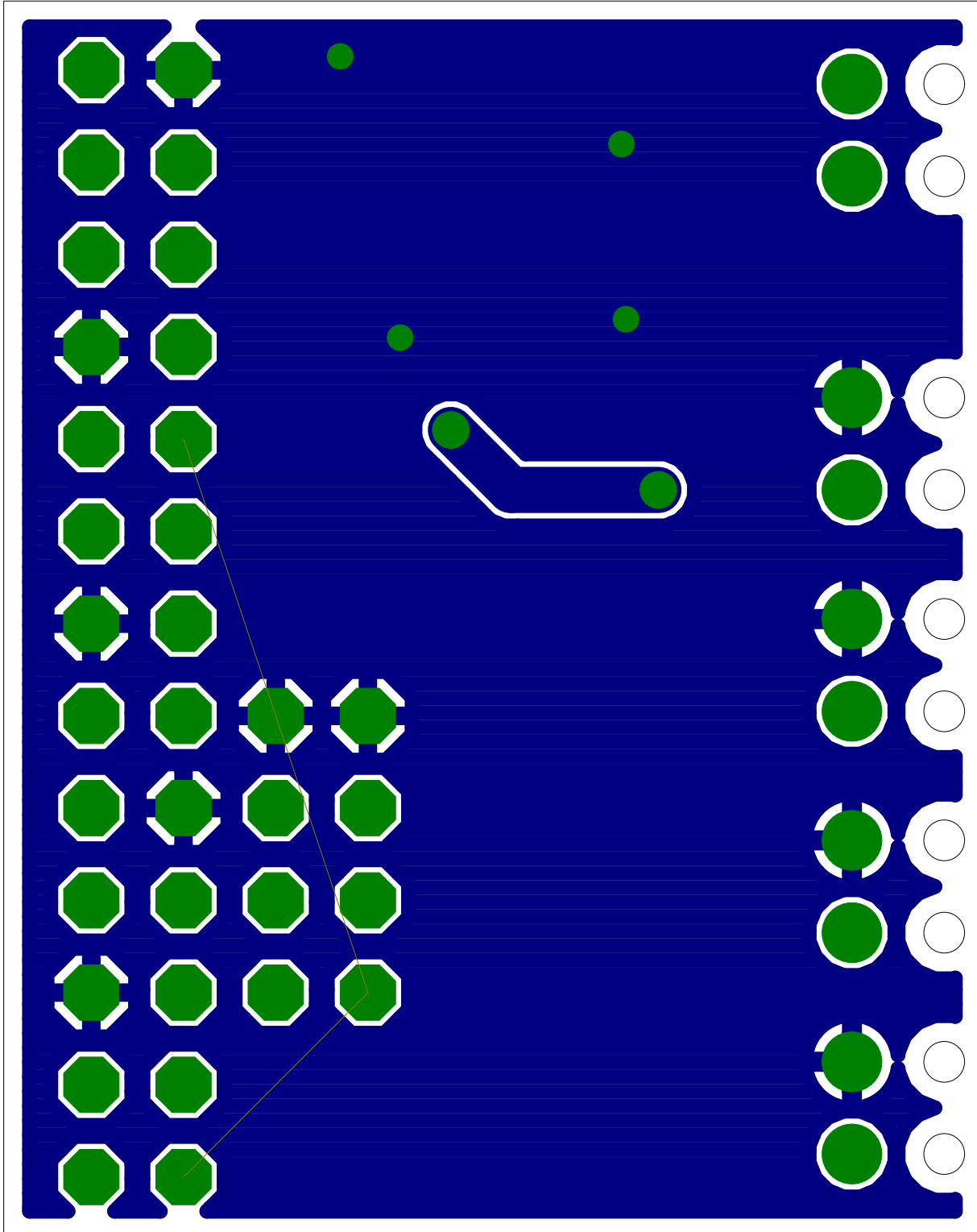
Bottom Layer

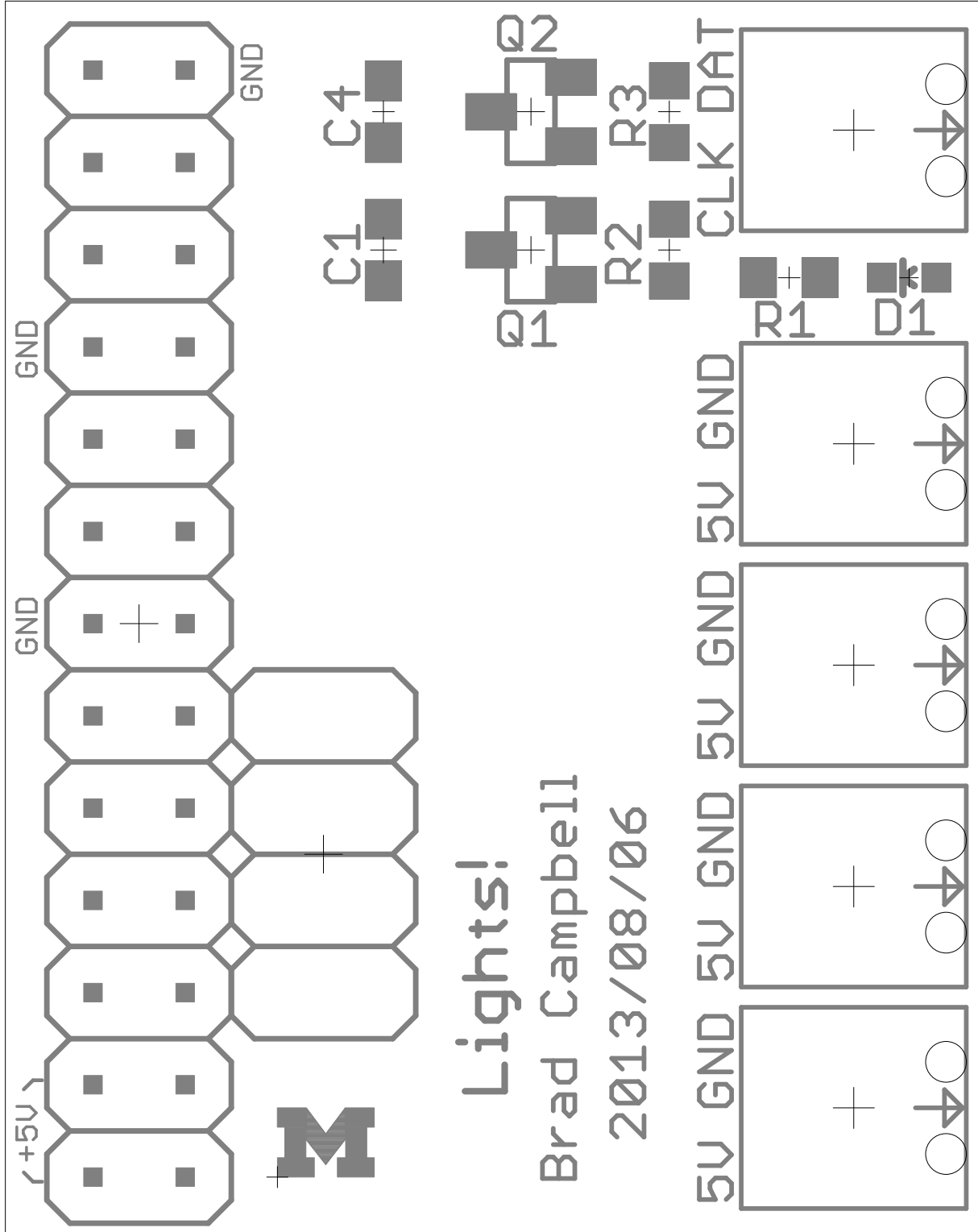


Top Copper Layer



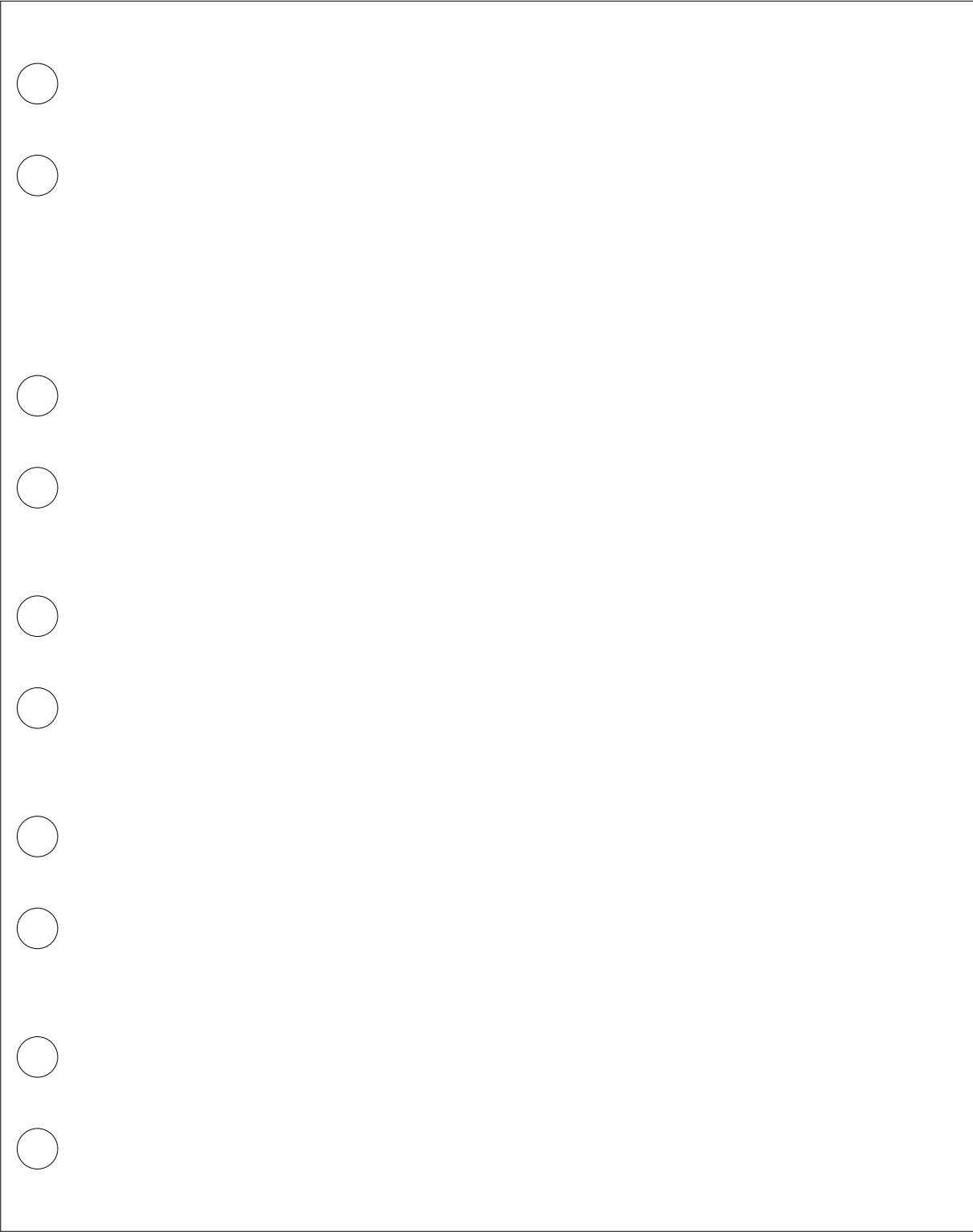
Bottom Copper Layer



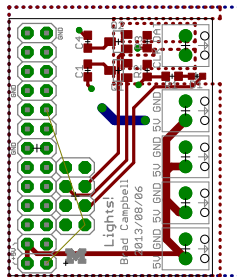


Lights!
Brad Campbell
2013/08/06

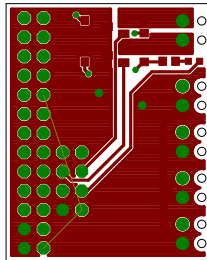
Bottom Paste Layer with Silkscreen



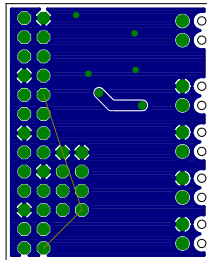
Top and Bottom Layers 1:1 Scale



Top Layer 1:1 Scale



Bottom Copper Layer 1:1 Scale



Sheet1

Qty	Value	Device	Package	Parts
2	1uF	C-USC0603	C0603	C1, C4
1		LED0603	LED-0603	D1
1		PINH2-2X13	2X13	J1
1		PINH2-2X4	2X04	J2
5	CONN_BLOCK_2	CONN_BLOCK_2	CONN_BLOCK_2	J3, J4, J5, J6
2		TRANSISTOR_NPNSOT23	SOT23	Q1, Q2
1	470	R-US_R0603	R0603	R1
2	1k	R-US_R0603	R0603	R2, R3

Sheet1

Description	DIGIKEY
CAPACITOR, American symbol	
LEDs	160-1834-1-ND
PIN HEADER	SAM1204-13-ND
PIN HEADER	
2x 0.100 in screw terminal block	277-1273-ND
Transistor NPN	
RESISTOR, American symbol	
RESISTOR, American symbol	