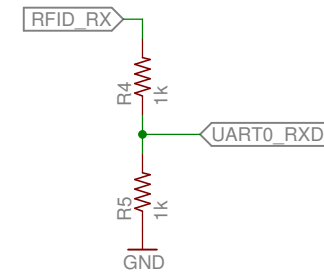
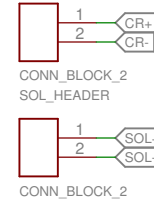
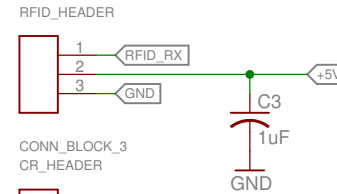
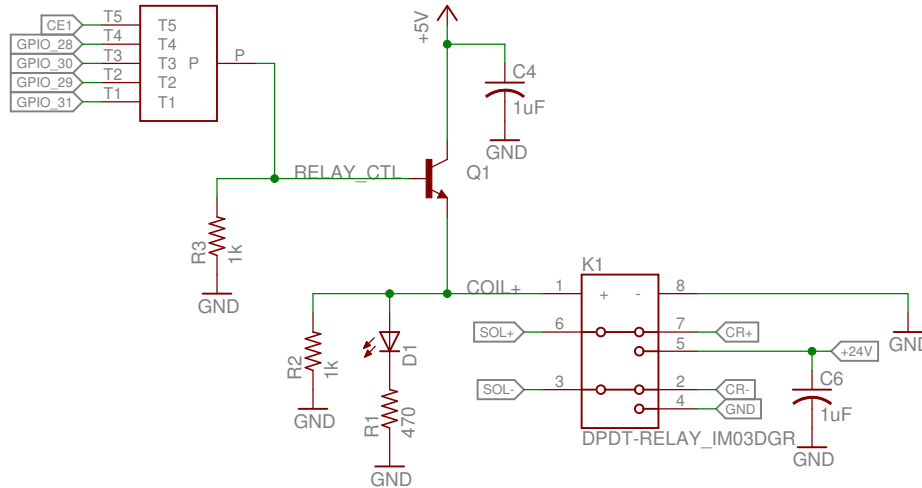
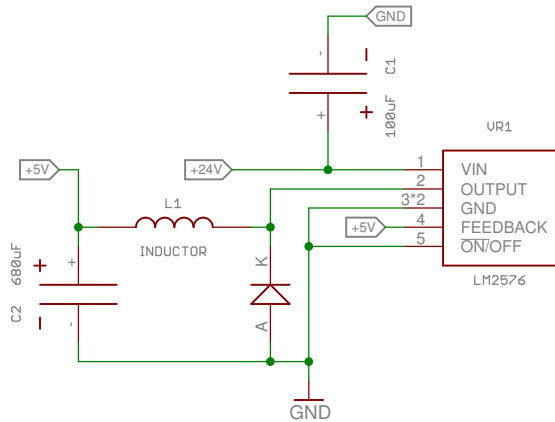
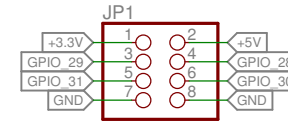
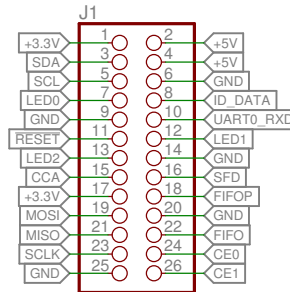




24VPOWER



CONN_BLOCK_2

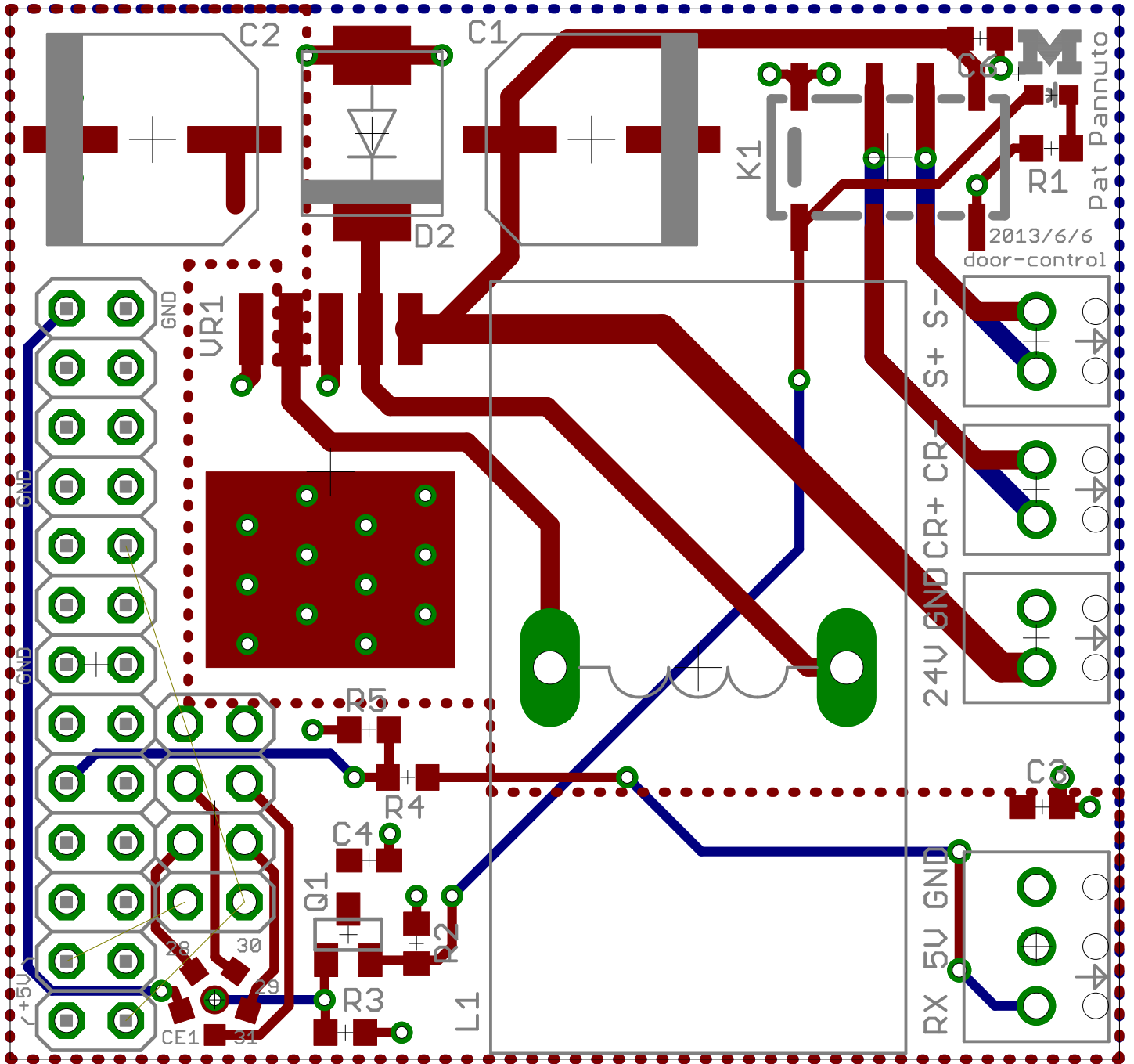


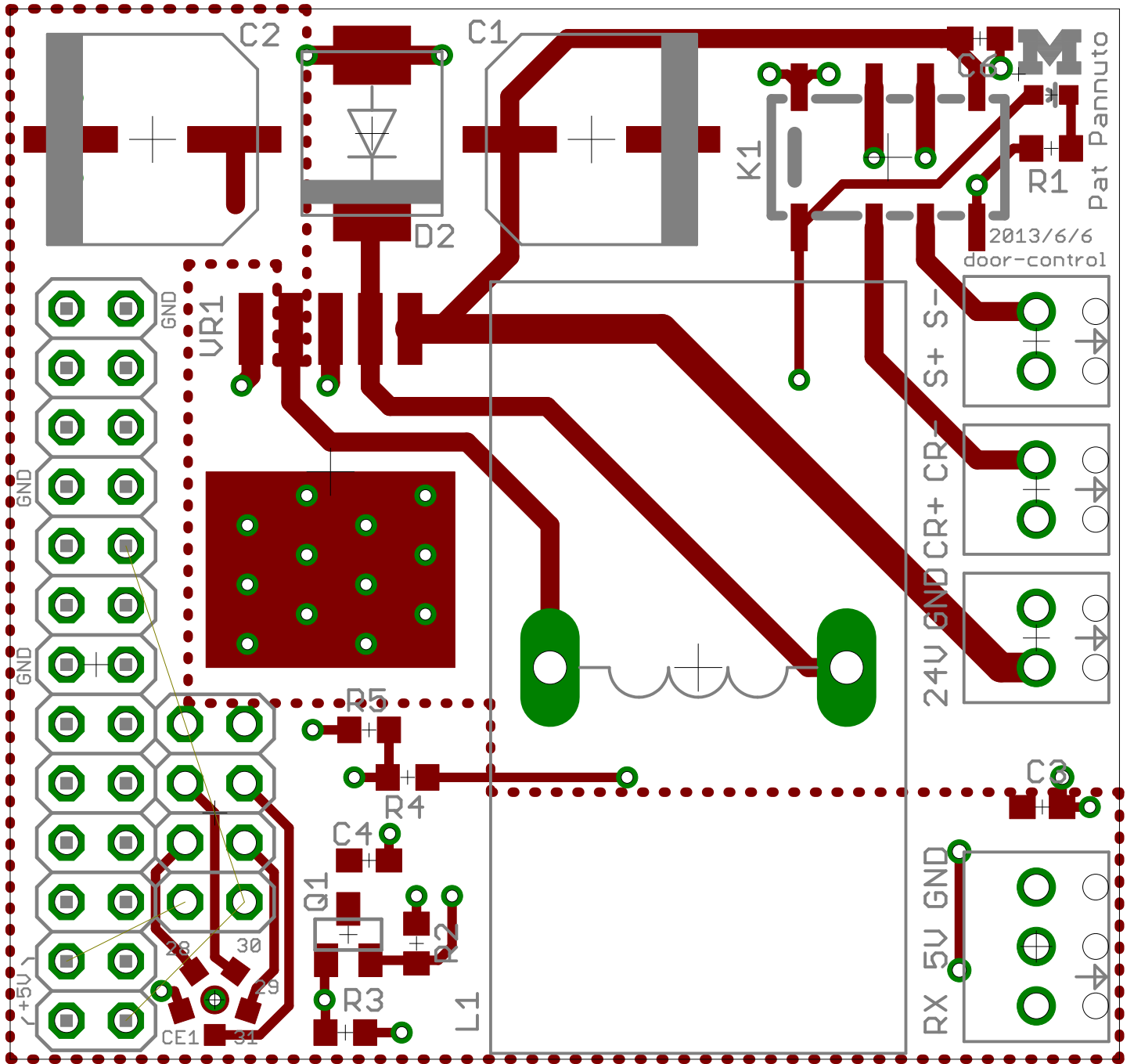
M RPi Door Control

REV:
2

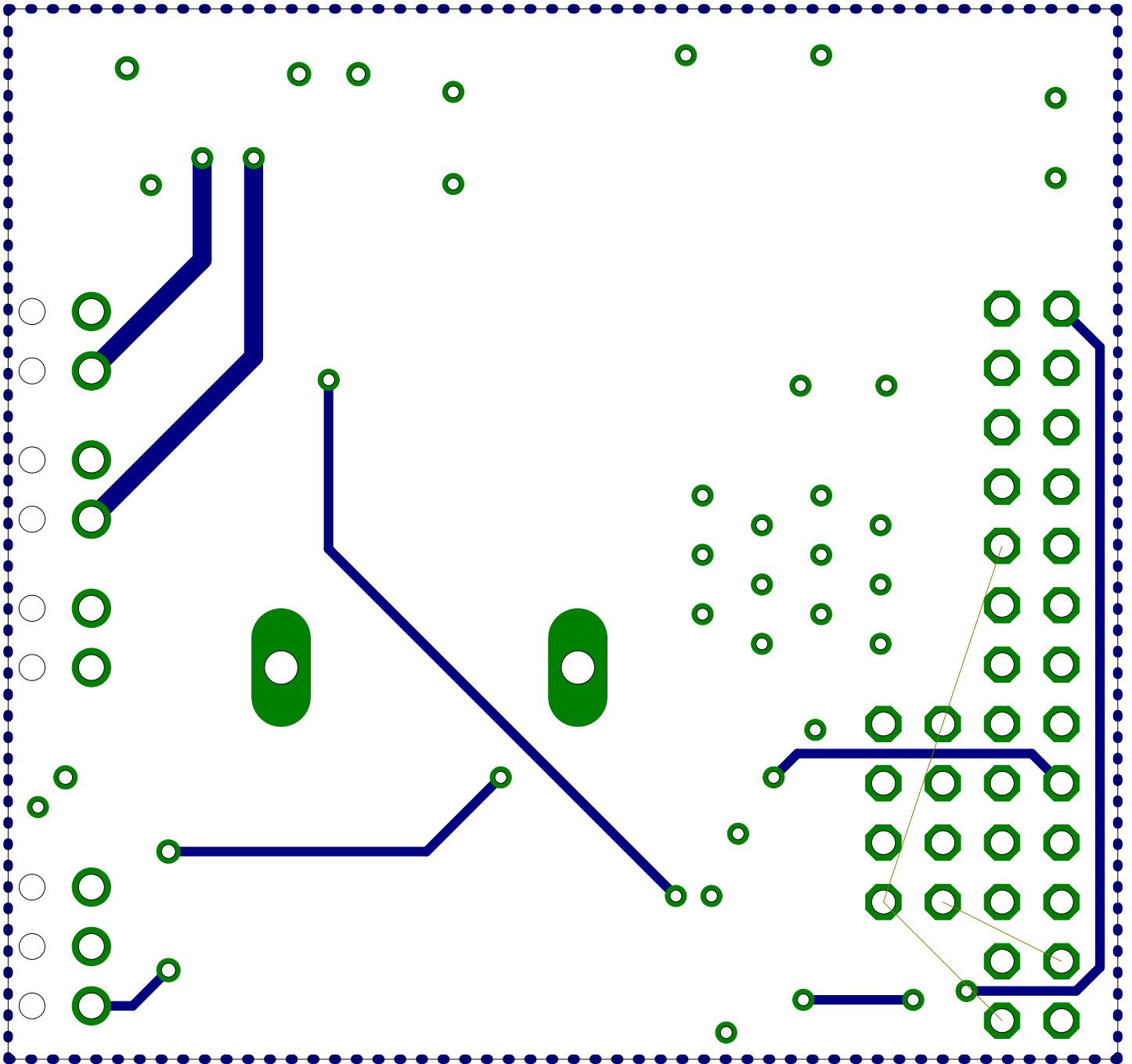
Date: 1/19/14 11:01 PM

Sheet: 1/1

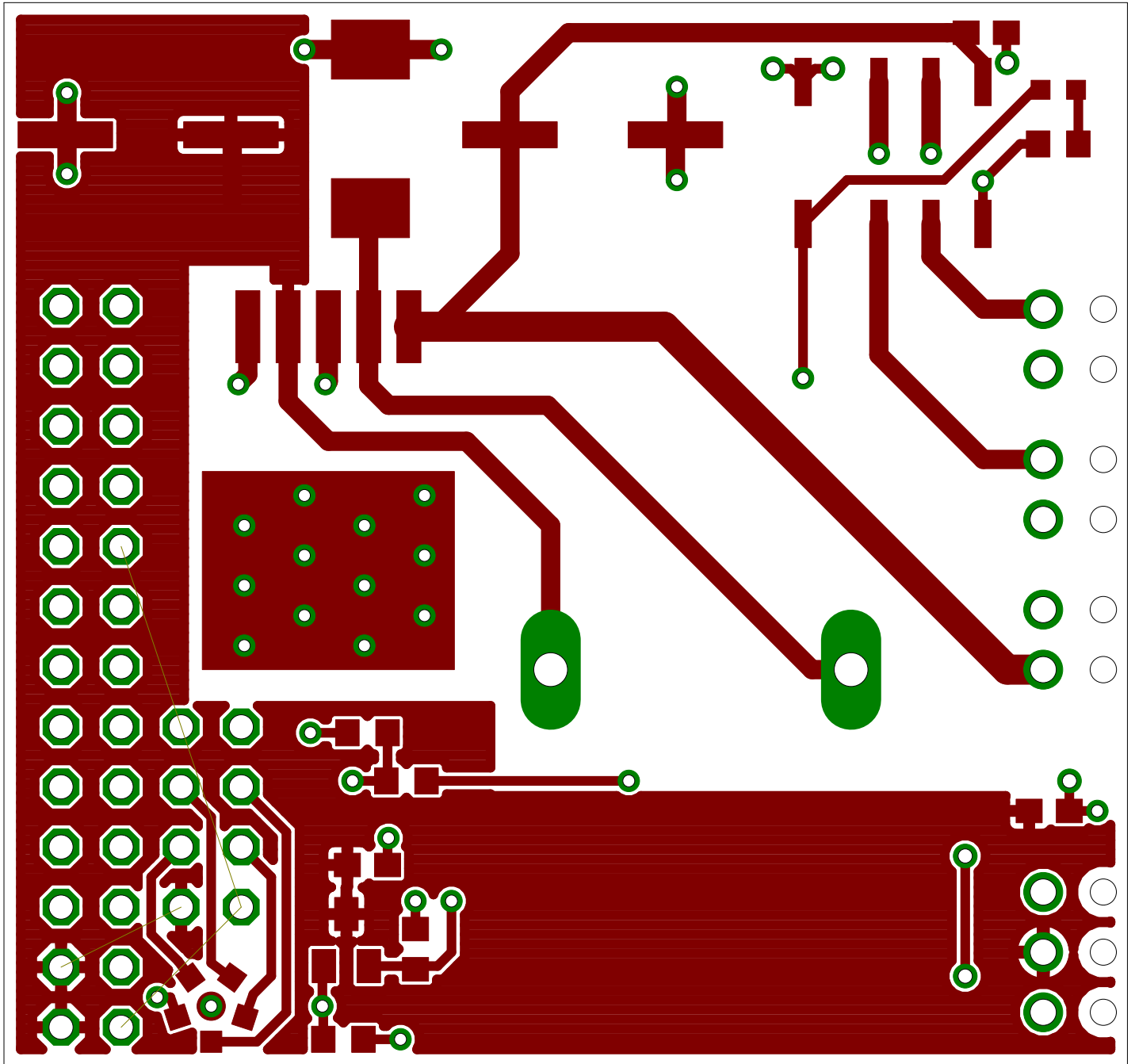




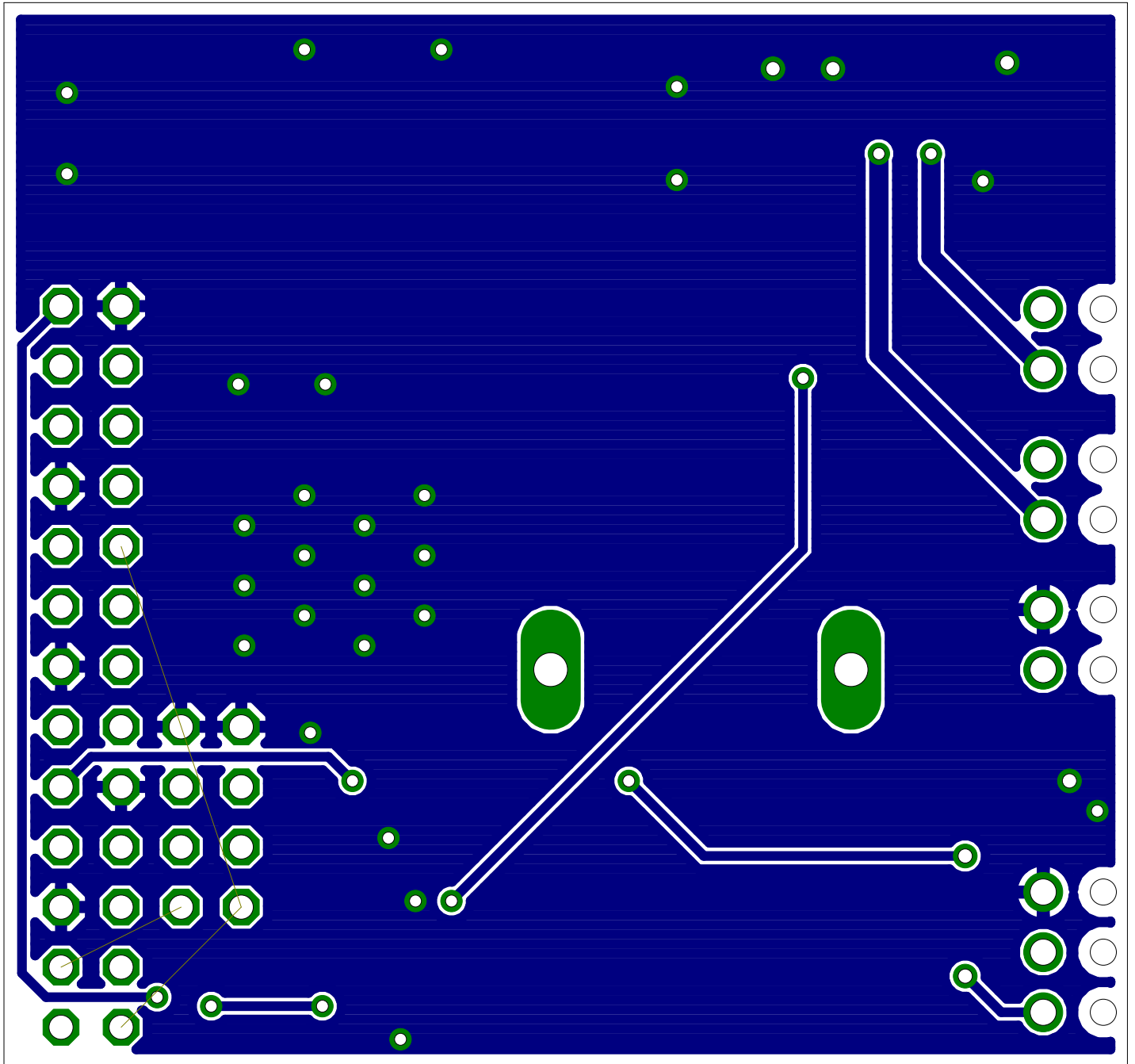
Bottom Layer

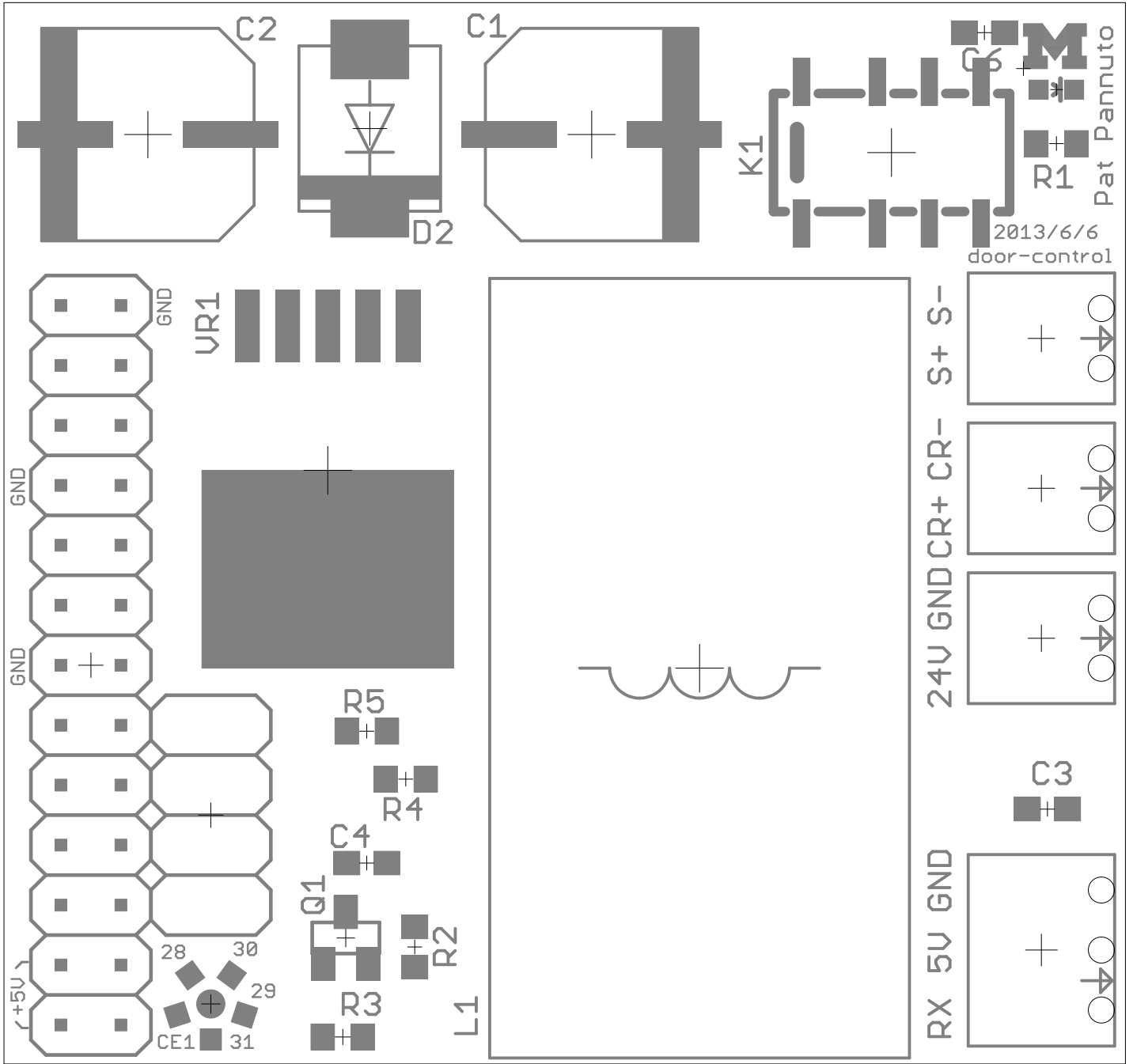


Top Copper Layer



Bottom Copper Layer

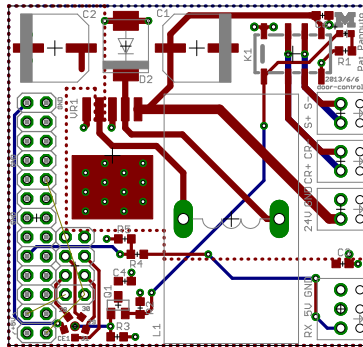




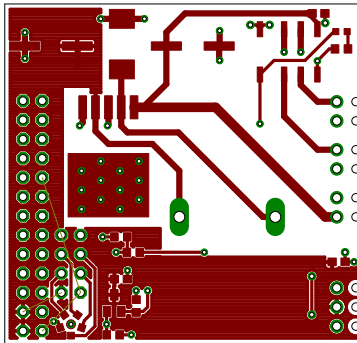
Bottom Paste Layer with Silkscreen



Top and Bottom Layers 1:1 Scale



Top Layer 1:1 Scale



Bottom Copper Layer 1:1 Scale

