

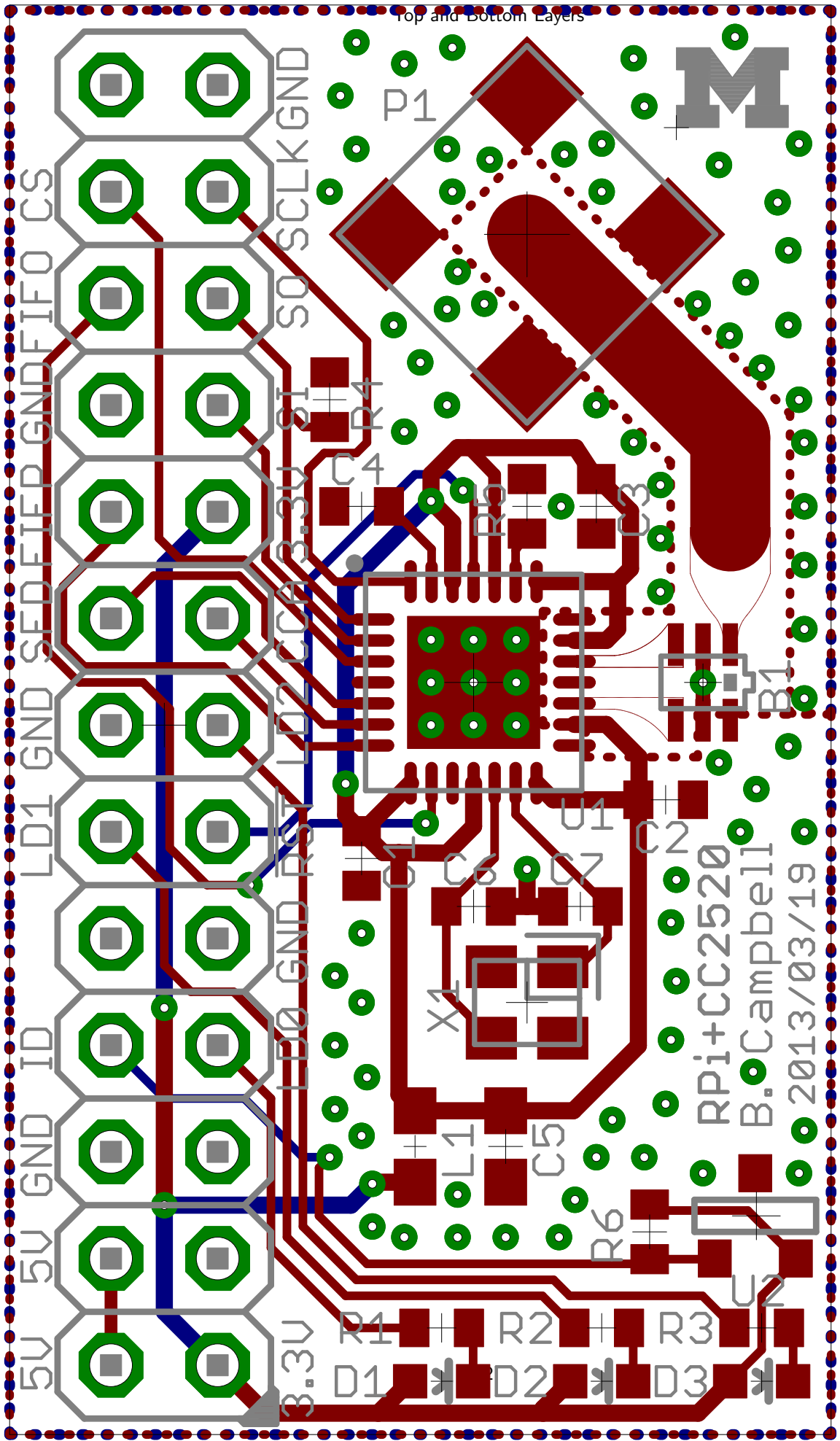
M RPi + CC2520

REV:
A

Date: 10/22/13 3:39 PM

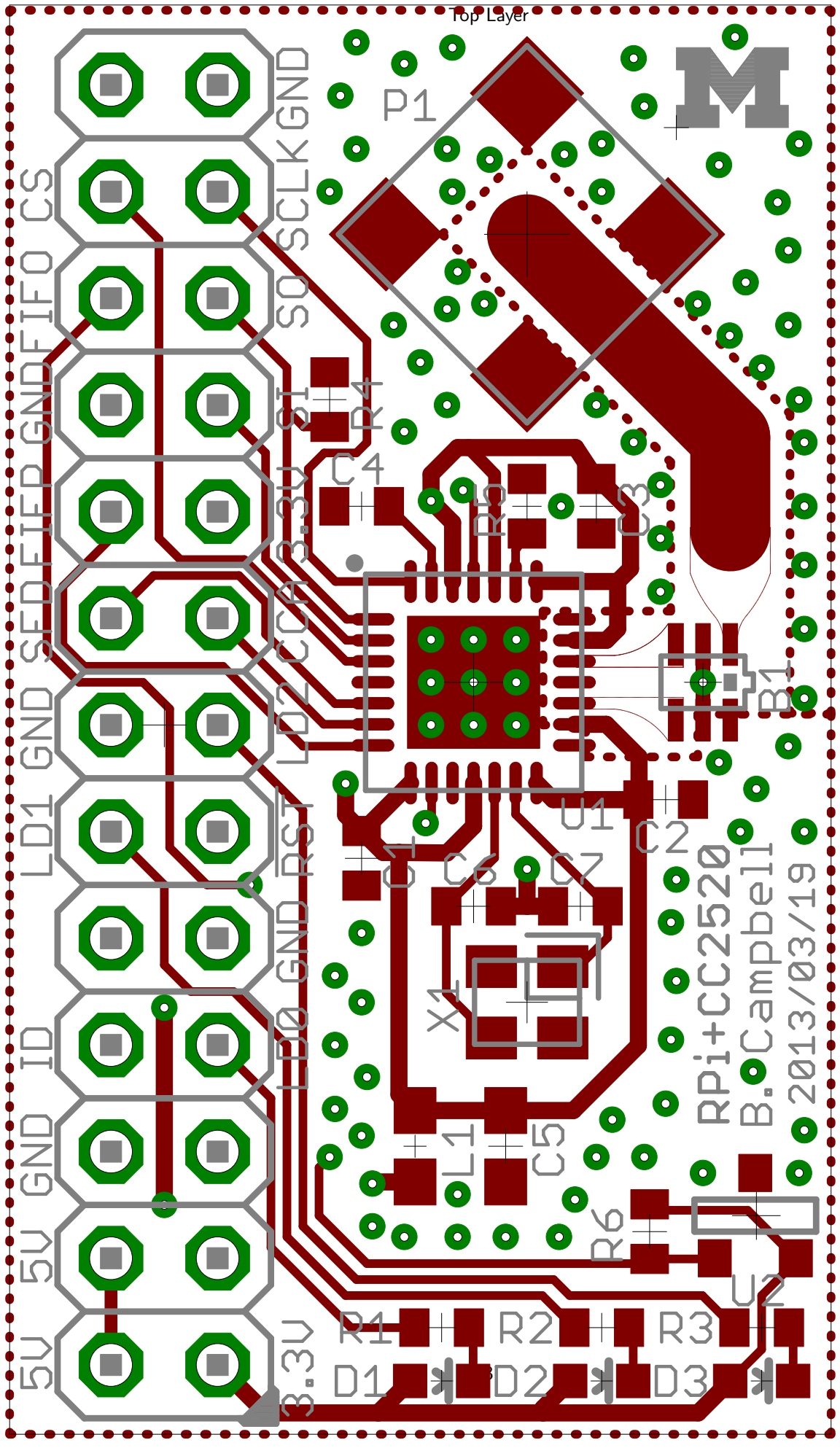
Sheet: 1/1

Top and Bottom Layers

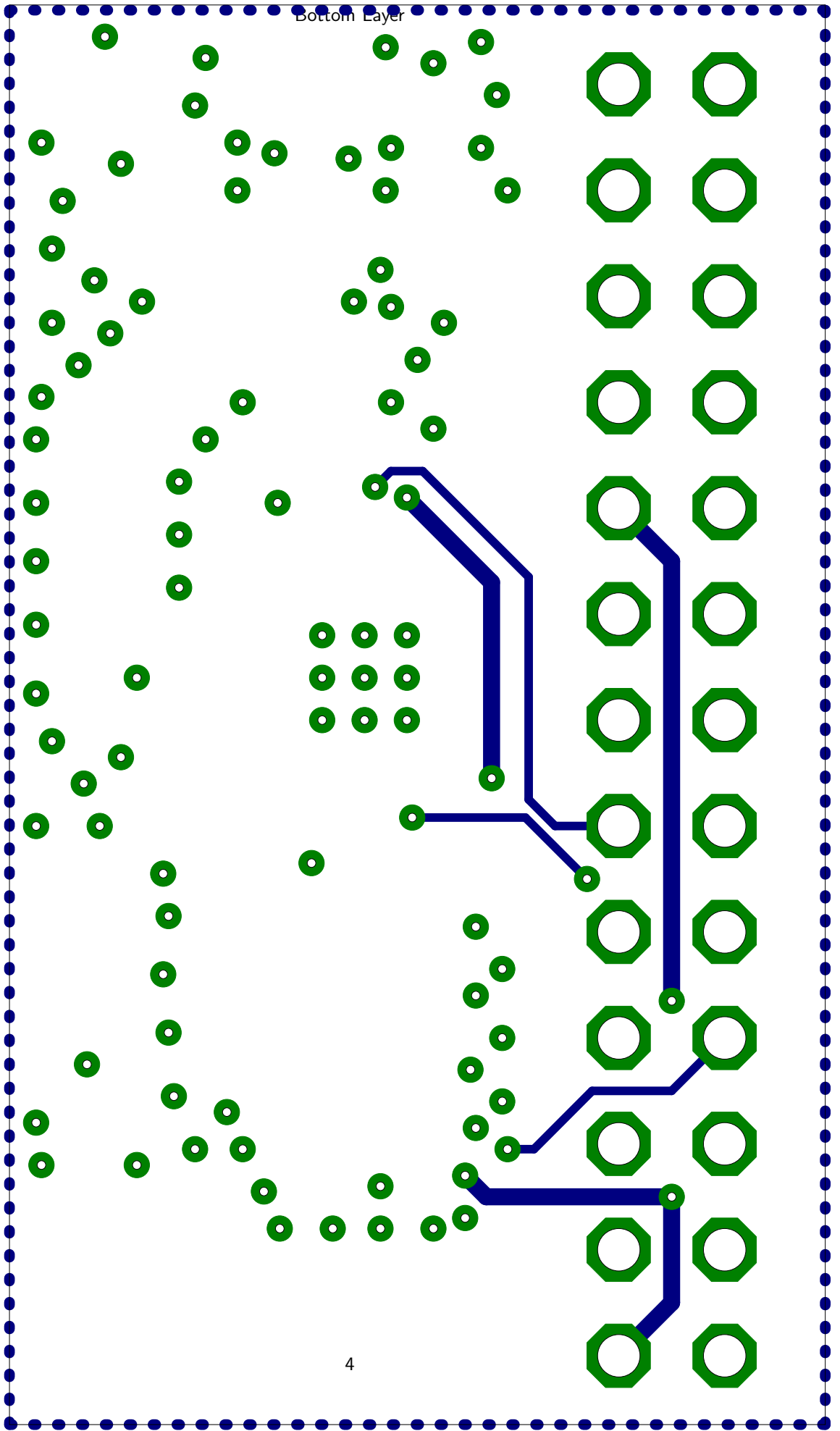


RPi+CC2520
 B. Campbell
 2013/03/19

Top Layer

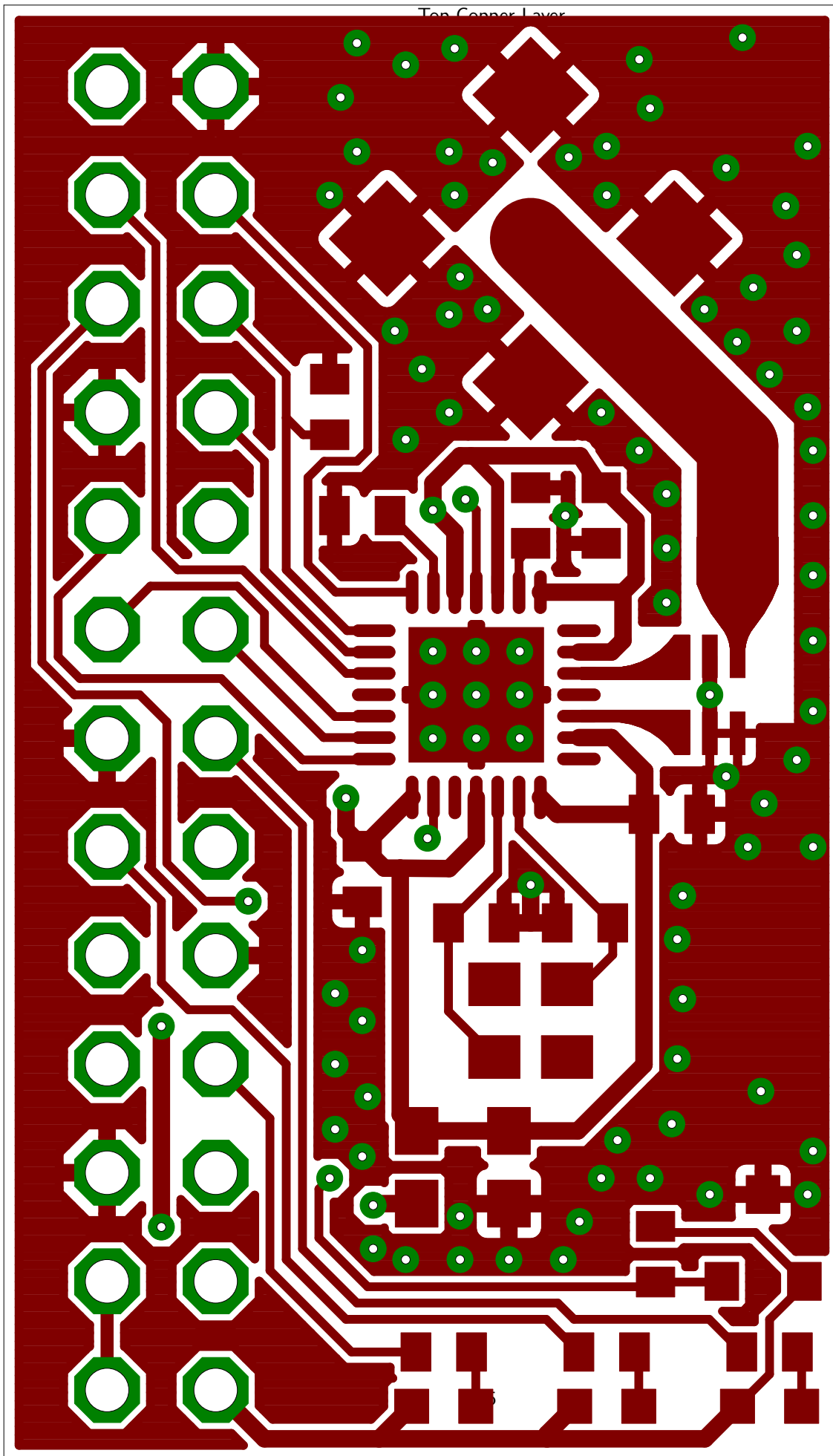


RPi+CC2520
 B. Campbell
 2013/03/19

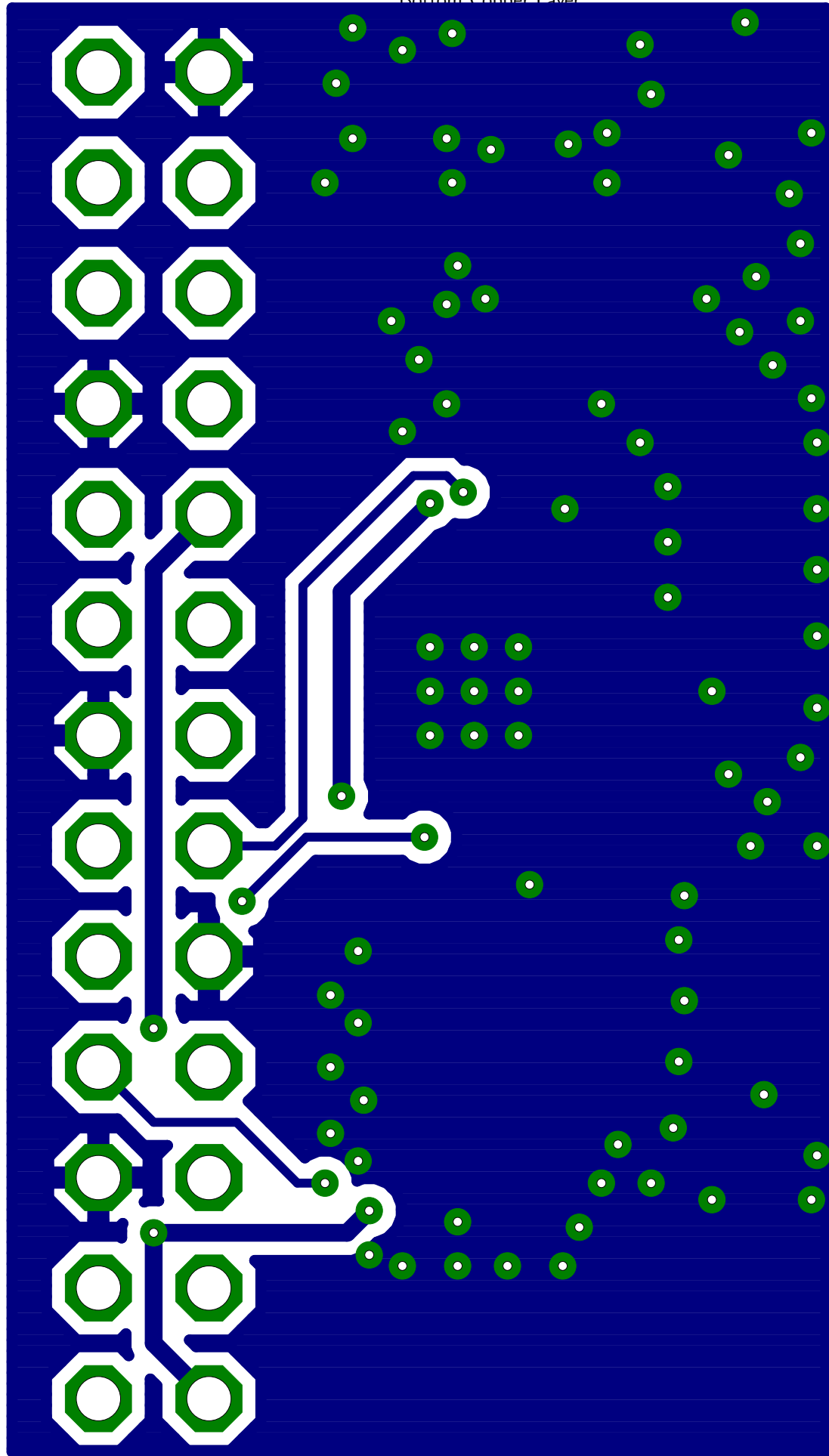


Bottom Layer

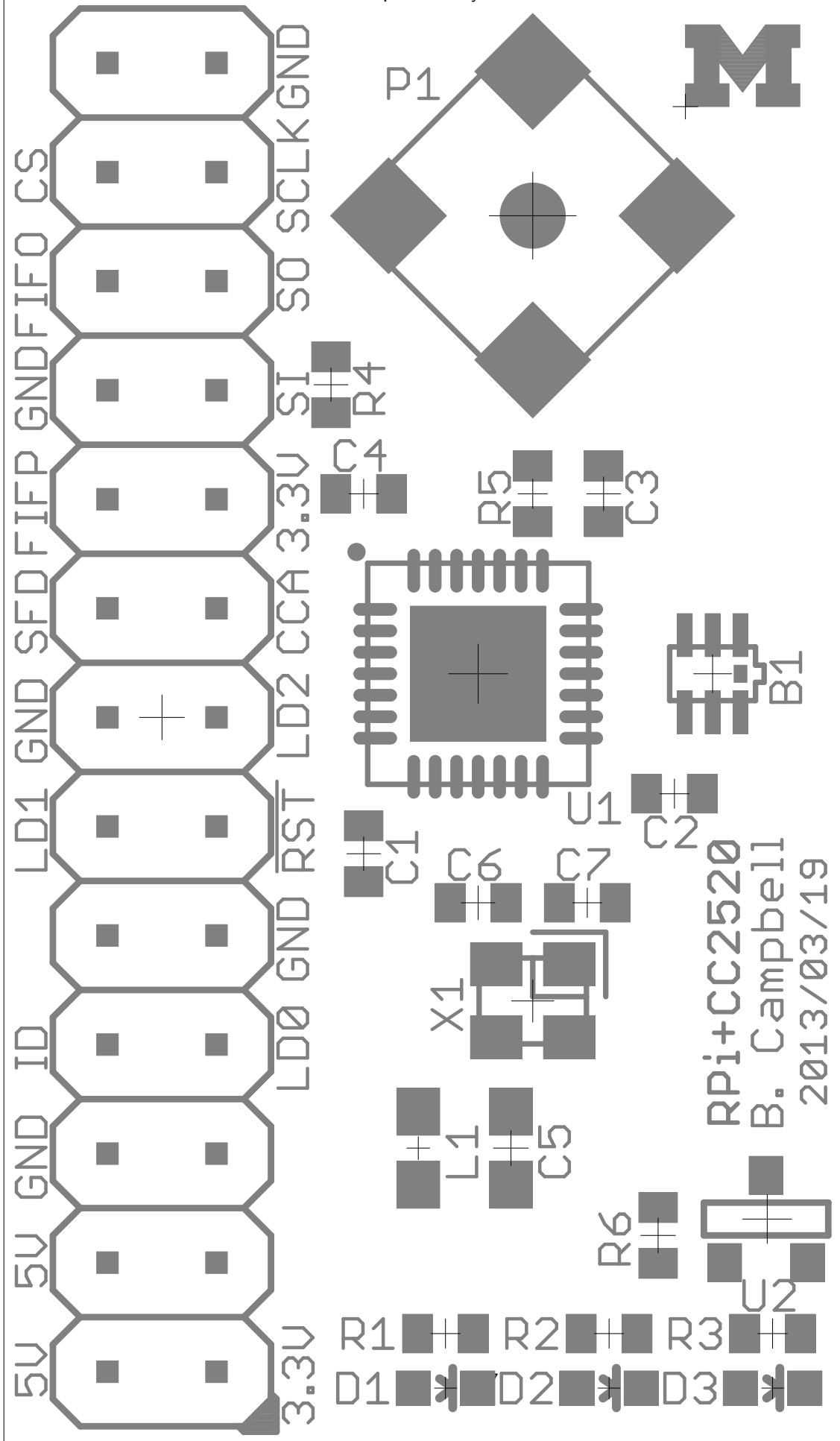
Top Copper Layer



Bottom Copper Layer

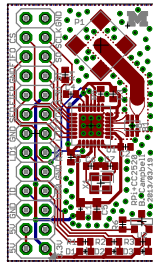


Top Paste Layer with Silkscreen

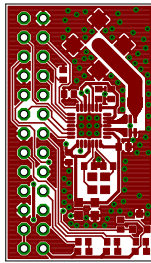


Bottom Paste Layer with Silkscreen

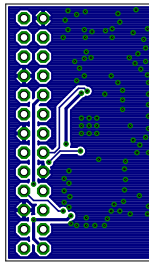
Top and Bottom Layers 1:1 Scale



Top Layer 1:1 Scale



Bottom Copper Layer 1:1 Scale



Sheet1

Qty	Value	Device	Package	Parts
1		2450BM15A0002	2450BM	B1
4	100nF	C-EUC0402	C0402	C1, C2, C3, C4
1	1uF	C-EUC0603	C0603	C5
2	27pF	C-EUC0402	C0402	C6, C7
1		LED0603	LED-0603	D1
1		LED0603	LED-0603	D2
1		LED0603	LED-0603	D3
1		PINHD-2X13	2X13	J1
1		INDUCTOR0603	L0603	L1
1		MOLEX_73251-135X	SMA-J/PCB	P1
3		470 R-US_R0603	R0402	R1, R2, R3
1	1M 1%	R-US_R0402	R0402	R4
1	56k 1%	R-US_R0402	R0402	R5
1	2.2k	R-US_R0402	R0402	R6
1		CC2520	S-PVQFN-N28	U1
1		DS2411	SOT-23	U2
1		NX2520SA	NX2520SA	X1
1		ANTENNA		

Sheet1

Description	DIGIKEY
BALUN JTI MATCHED ZIGBEE	712-1536-1-ND
CAPACITOR, European symbol	490-1318-1-ND
CAPACITOR, European symbol	490-1550-1-ND
CAPACITOR, European symbol	490-5869-1-ND
Green LED	160-1834-1-ND
Red LED	160-1835-1-ND
Blue LED	160-1837-1-ND
PIN HEADER	SAM1204-13-ND
Inductors	490-1015-1-ND
SMA JACK SMT 50 OHM	WM9357-ND
RESISTOR, American symbol	RHM470JCT-ND
RESISTOR, American symbol	RHM1.00MCDCT-ND
RESISTOR, American symbol	P56.0KLCT-ND
RESISTOR, American symbol	RHM2.2KCECT-ND
2.4 GHZ IEEE 802.15.4/ZIGBEE® RF TRANSCEIVER	296-22996-1-ND
IC SILICON SERIAL NUMBER SOT-23	DS2411R+CT-ND
CRYSTAL 32MHZ 10PF SMD	644-1065-1-ND
ANTENNA 2.45GHZ 1/4 WAVE SMA	ANT-2.4-CW-RH-SMA-ND

DIGIREEL

712-1536-6-ND
490-1318-6-ND
490-1550-6-ND
490-5869-6-ND
160-1834-6-ND
160-1835-6-ND
160-1837-6-ND
SAM1204-13-ND
490-1015-6-ND
WM9357-ND
RHM470JTR-ND
RHM1.00MCDDKR-ND
P56.0KLDKR-ND
RHM2.2KCEDKR-ND
296-22996-6-ND
DS2411R+DKR-ND
644-1065-6-ND
ANT-2.4-CW-RH-SMA-ND

Sheet3

BALUN JTI MATCHED ZIGBEE	110	712-1536-6-ND
CAP CER 0.1UF 10V 10% X5R 0402	1000	490-1318-6-ND
CAP CER 1UF 6.3V 10% X5R 0603	200	490-1550-6-ND
CAP CER 27PF 50V 5% NP0 0402	500	490-5869-6-ND
LED GREEN RECT CLEAR 0603	125	160-1834-6-ND
LED RED RECT CLEAR 0603	125	160-1835-6-ND
LED BLUE RECT CLEAR 0603	125	160-1837-1-ND
CONN RCPT .100" 26POS DUAL TIN	110	SAM1204-13-ND
FERRITE CHIP 1000 OHM 400MA 0603	125	490-1015-1-ND
CONN SMA JACK STR 50 OHM SMD	110	WM9357-ND
RES 470 OHM 1/16W 5% 0402 SMD	10000	RHM470JTR-ND
RES 1M OHM 1/16W 1% 0402 SMD	500	RHM1.00MCDDKR-ND
RES 56K OHM 1/10W 1% 0402 SMD	500	P56.0KLDKR-ND
RES 2.2K OHM 1/16W 5% 0402 SMD	500	RHM2.2KCEDKR-ND
IC TXRX RF ZIGBEE 2.4GHZ 28-QFN	110	296-22996-6-ND
IC SILICON SERIAL NUMBER SOT-23	110	DS2411R+DKR-ND
ANTENNA 2.45GHZ 1/4 WAVE SMA	100	ANT-2.4-CW-RH-SMA-ND
CRYSTAL 32.000000MHZ 10PF SMD	110	644-1065-6-ND

Sheet3

B1	0.505
C1, C2, C3, C4	0.0106
C5	0.0595
C6, C7	0.02074
D1	0.23248
D2	0.23248
D3	0.2003
J1	2.5323
L1	0.0476
P1	2.5772
R1, R2, R3	0.00198
R4	0.01716
R5	0.02408
R6	0.01716
U1	4.49464
U2	0.90264
	3.97
X1	1.33691