

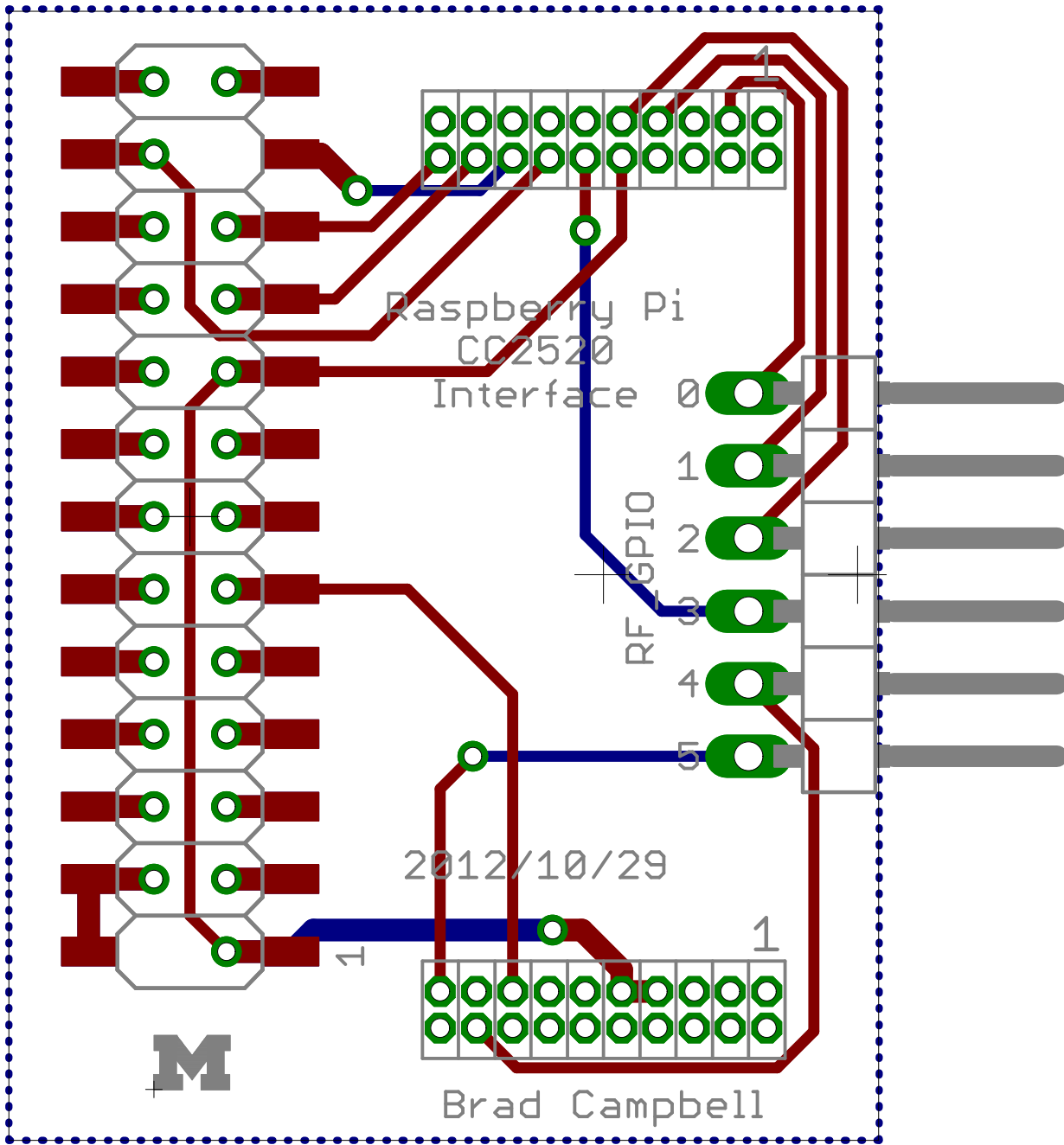
M >TITLE

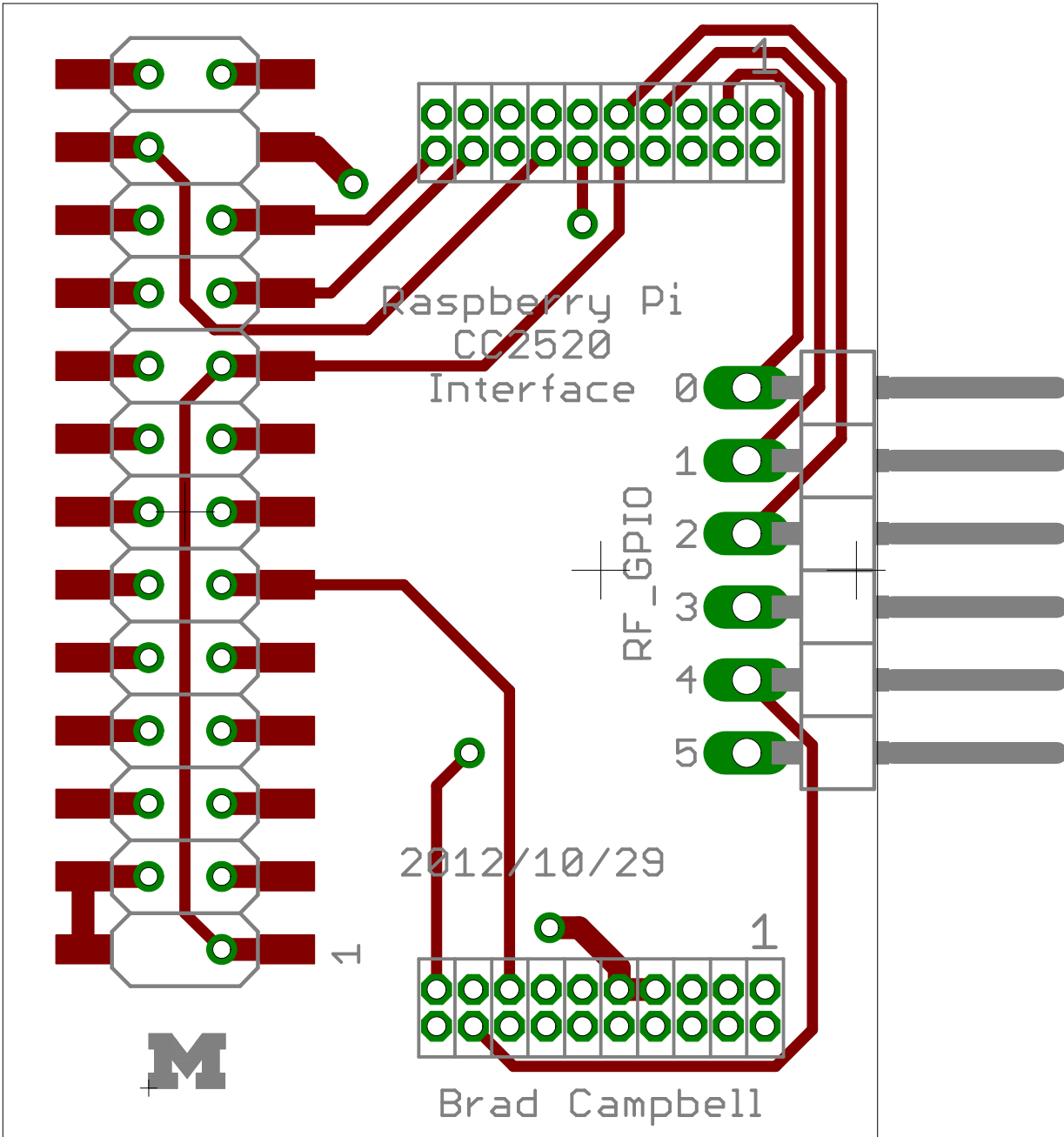
REV:
>REV

Date: 9/22/13 6:48 PM

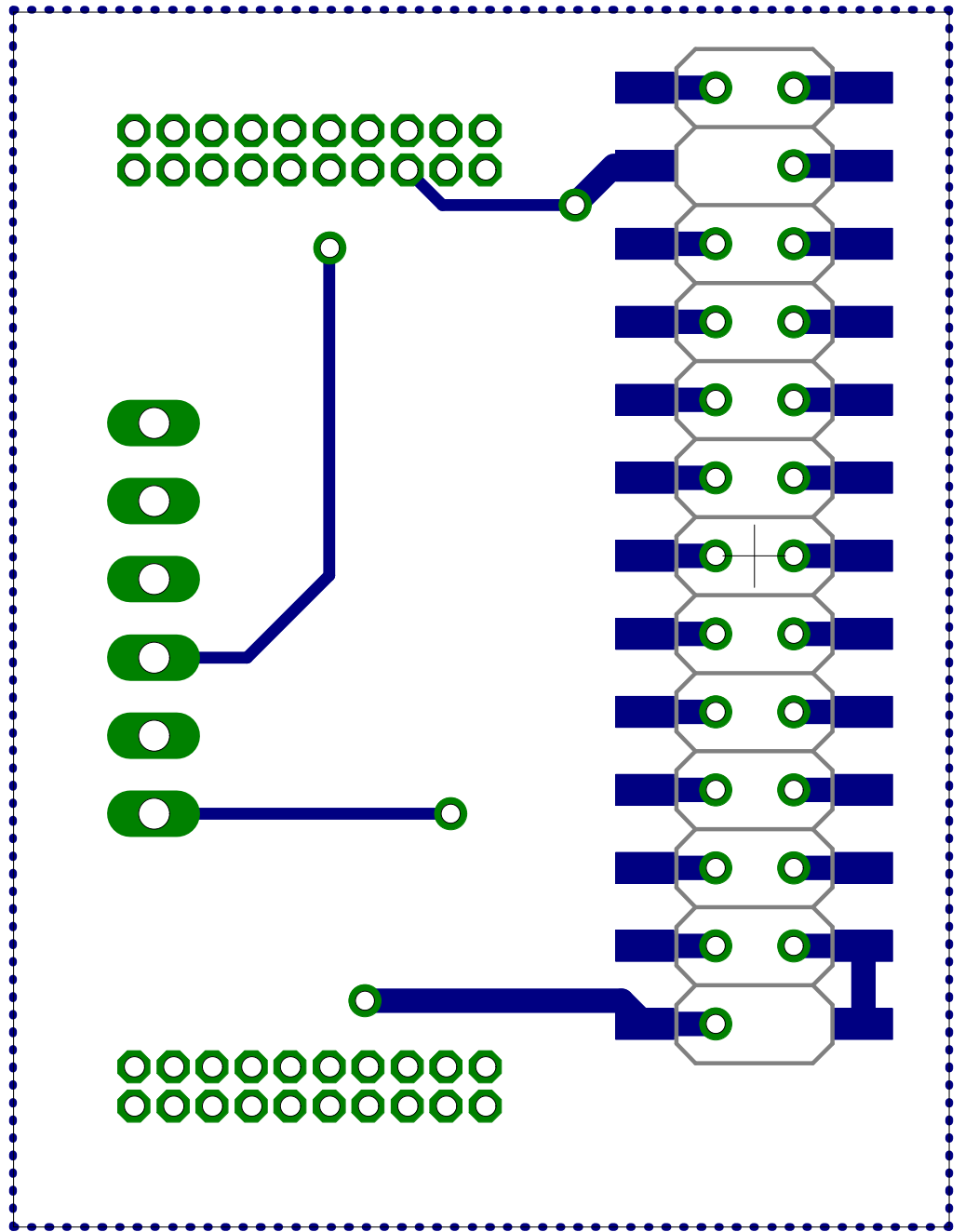
Sheet: 1/1

Top and Bottom Layers

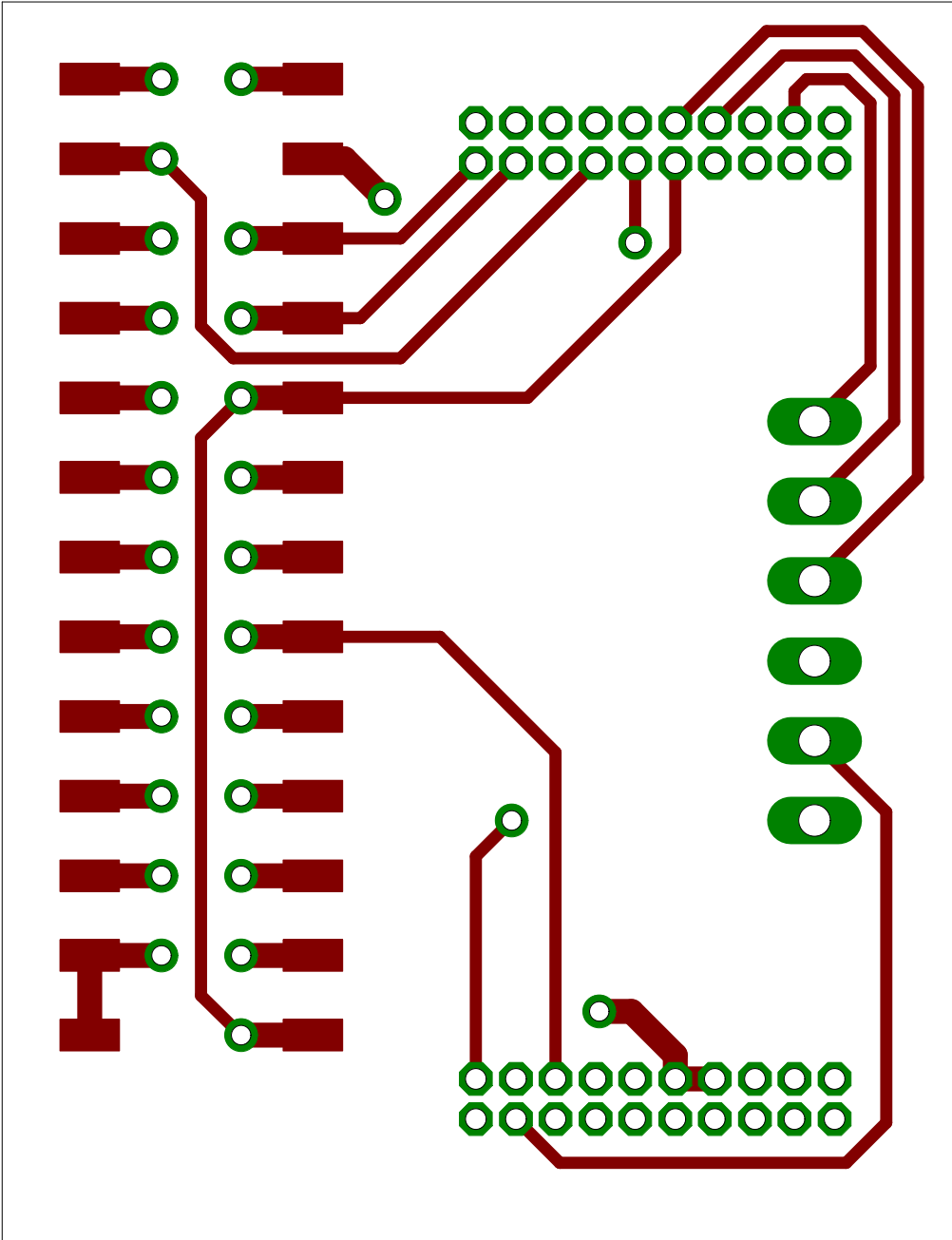




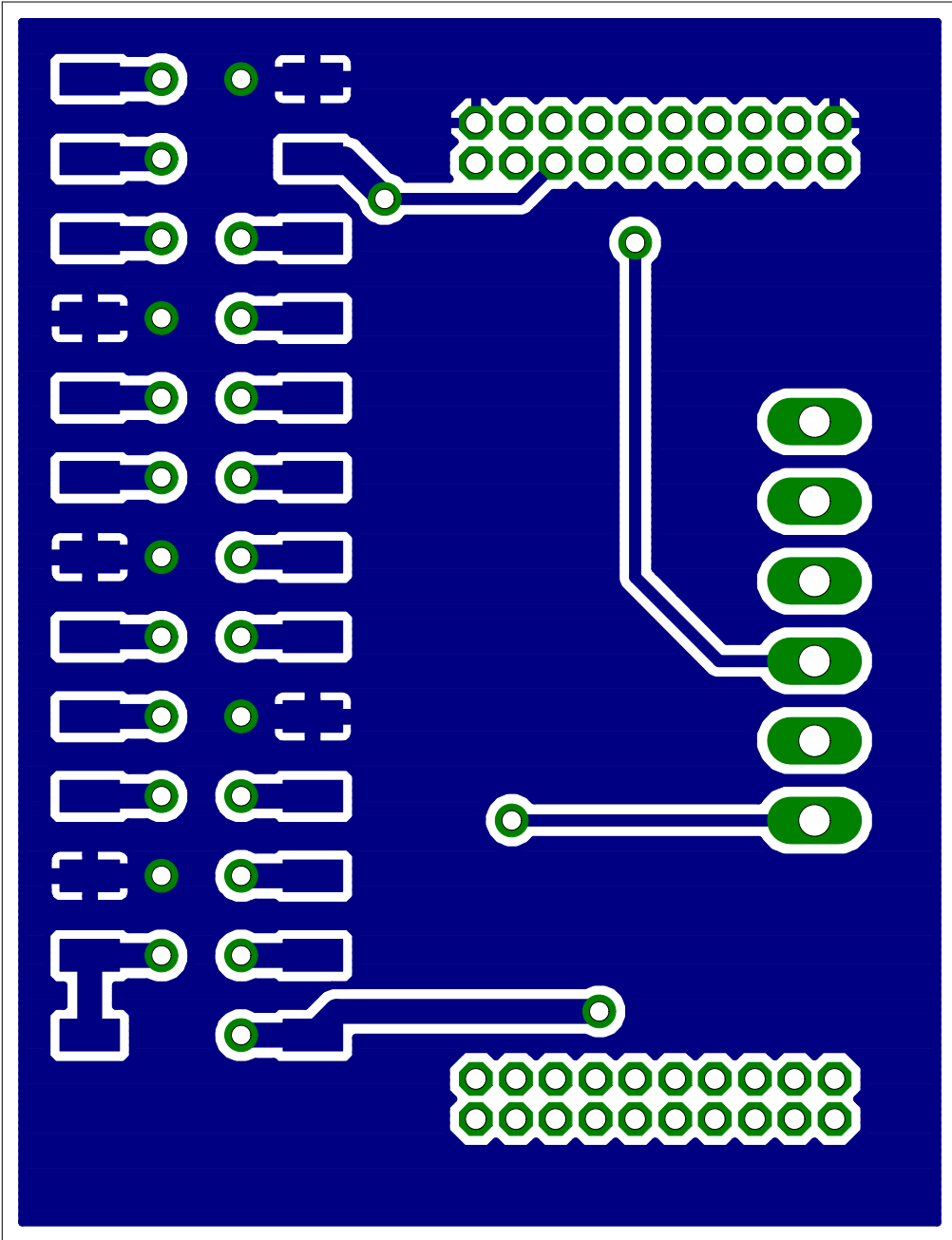
Bottom Layer

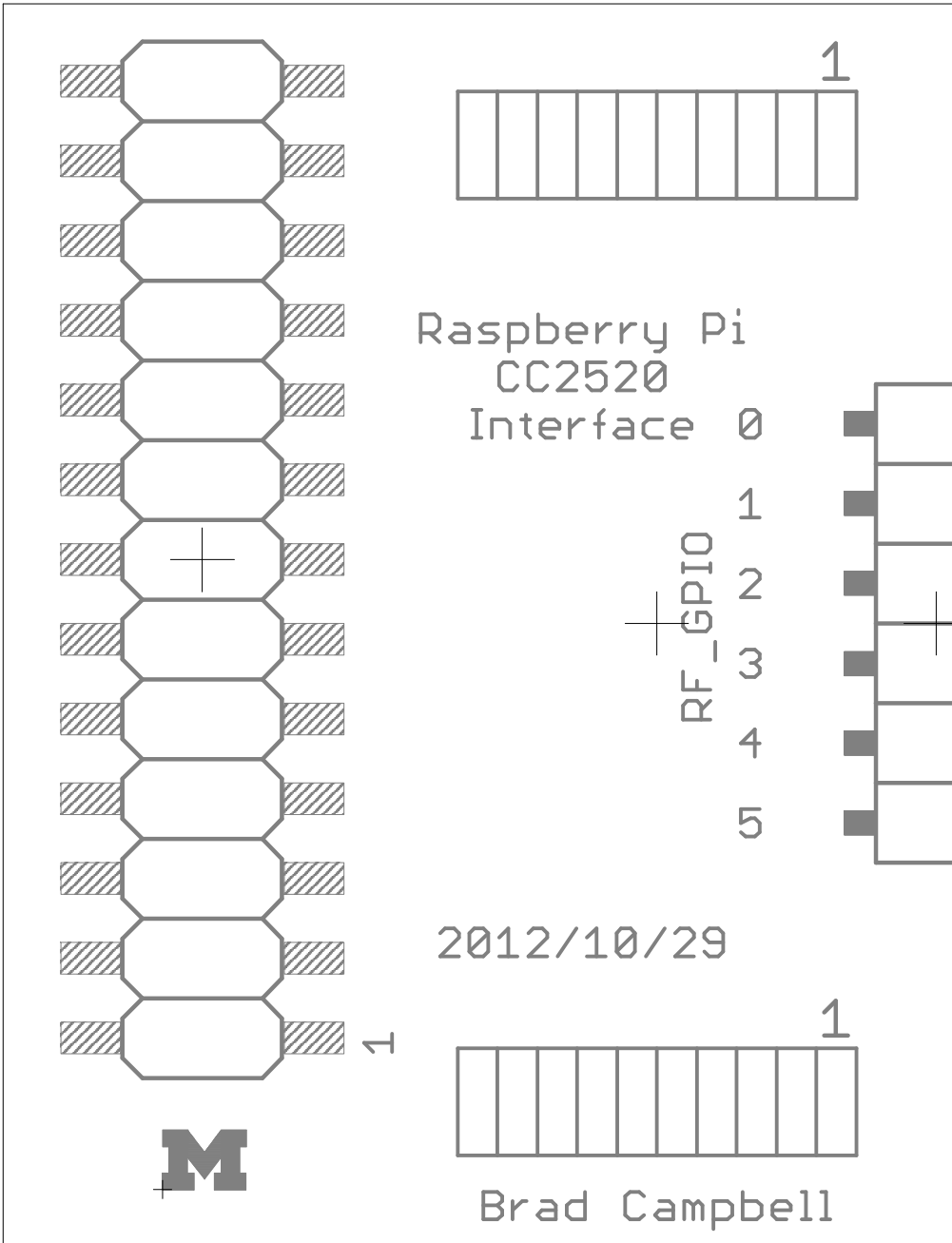


Top Copper Layer

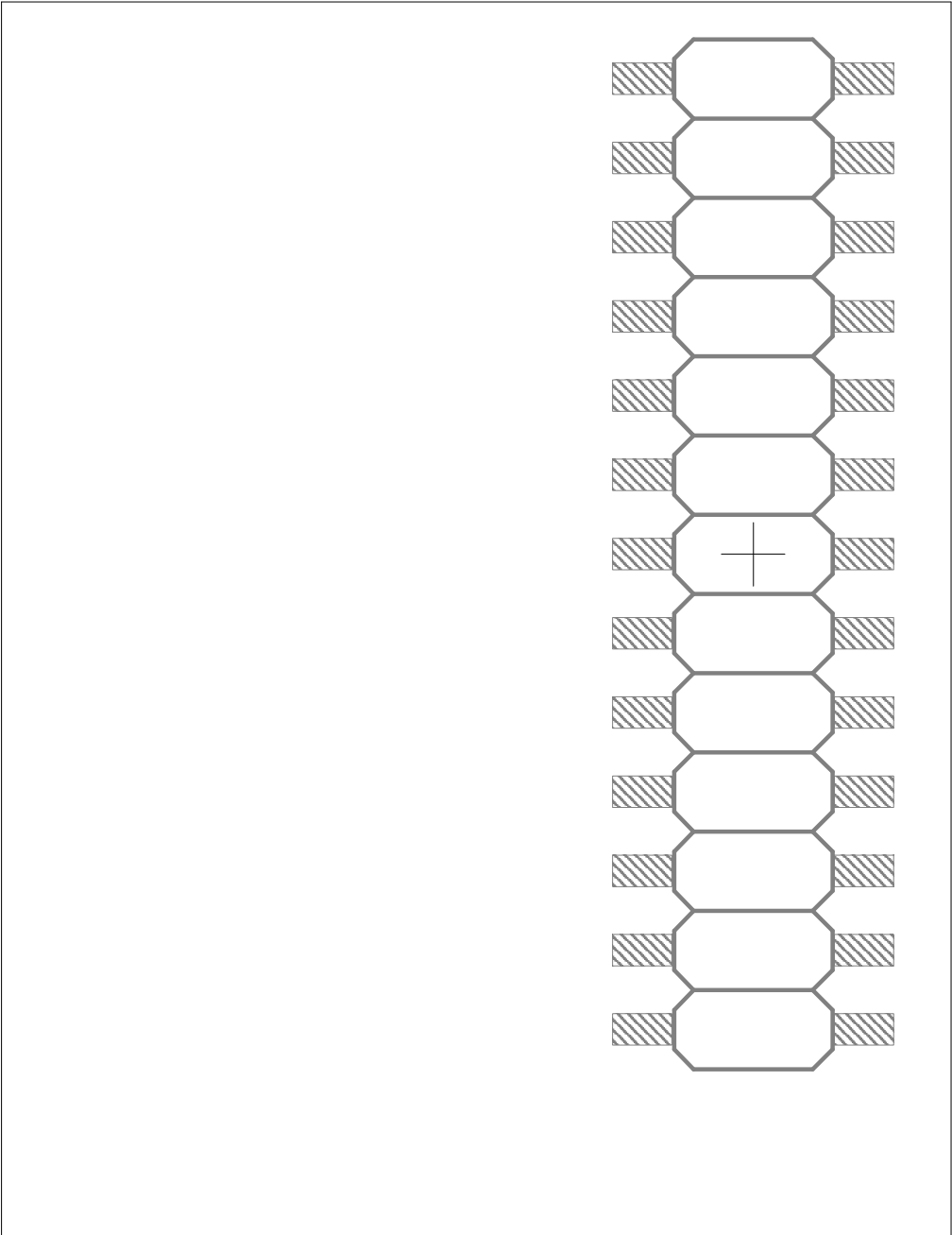


Bottom Copper Layer

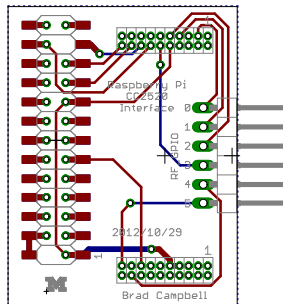




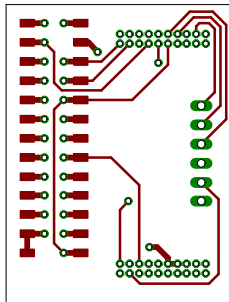
Bottom Paste Layer with Silkscreen



Top and Bottom Layers 1:1 Scale



Top Layer 1:1 Scale



Bottom Copper Layer 1:1 Scale

