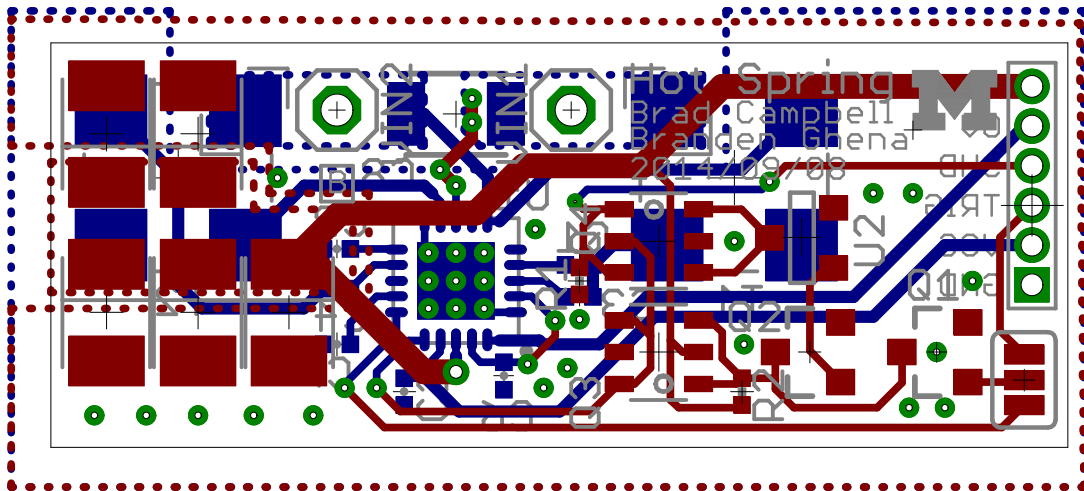
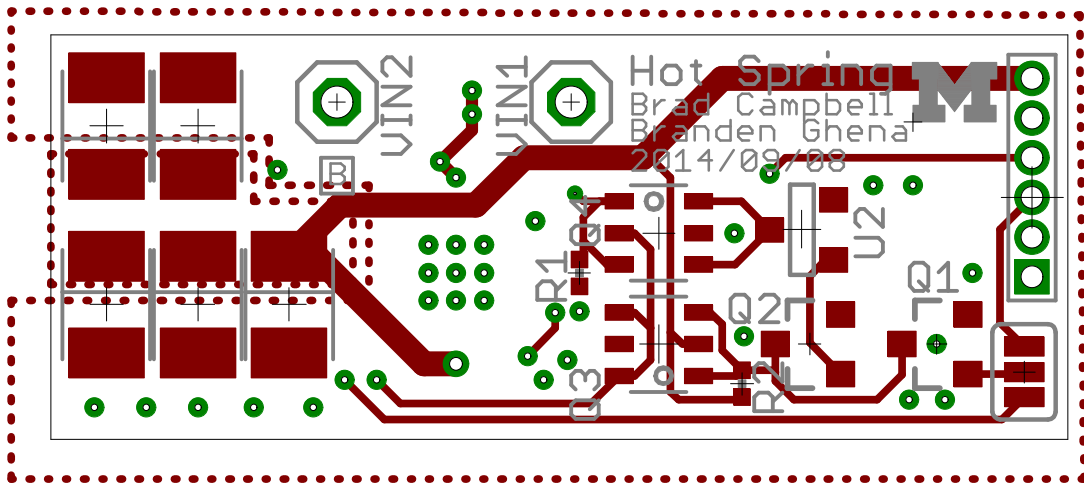


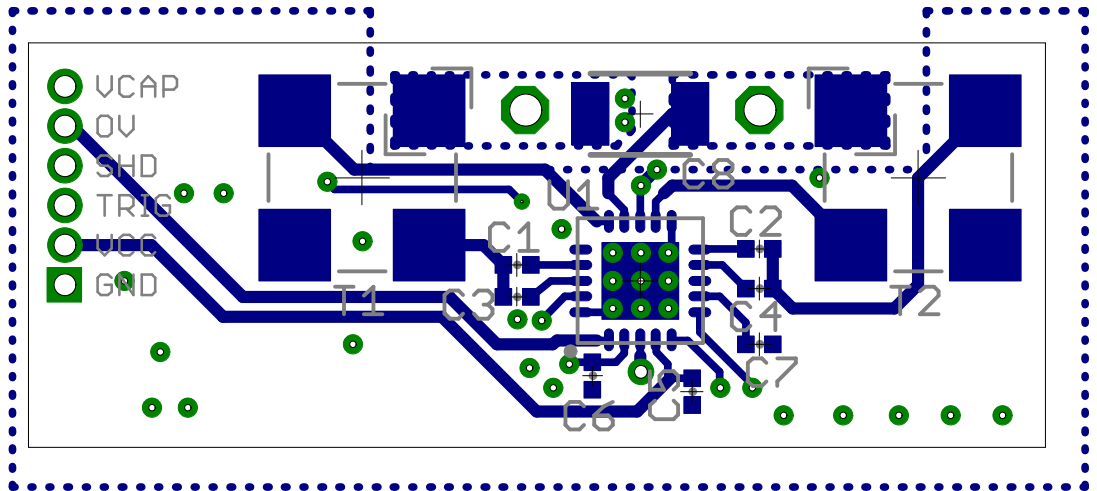
M Hot Spring	REV: A
Author: Brad Campbell, Branden Ghena	
Date: 9/16/14 4:05 PM	Sheet: 1/1

Top and Bottom Layers

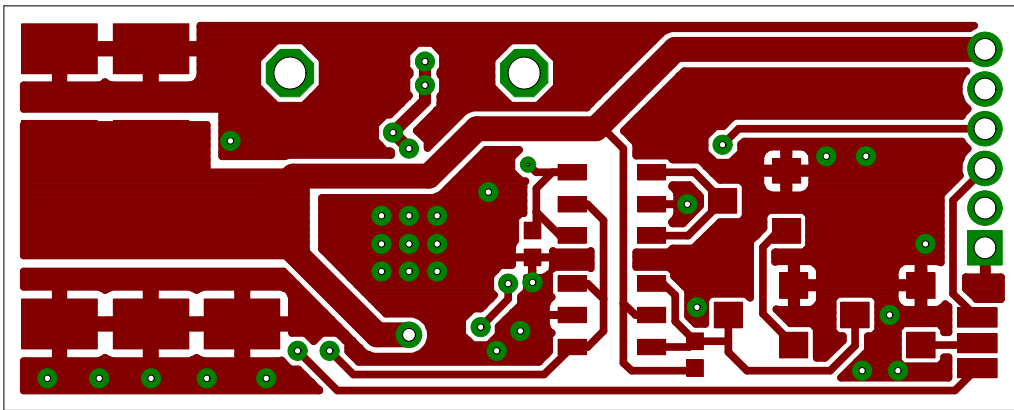




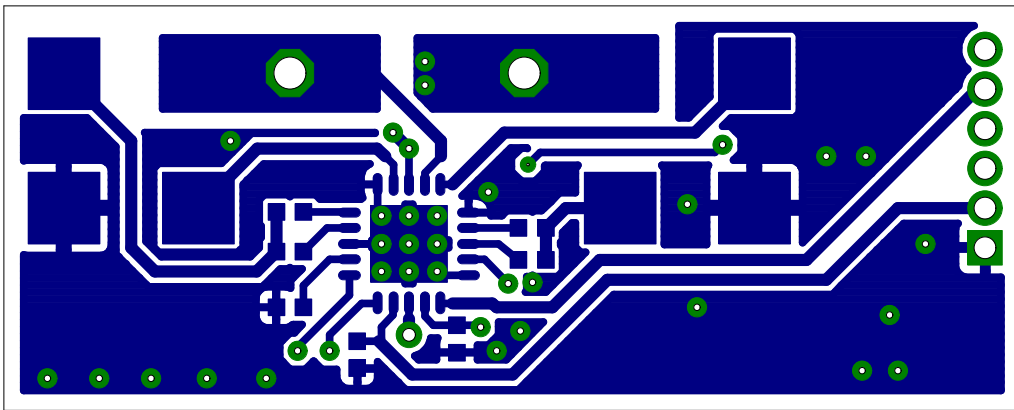
Bottom Layer

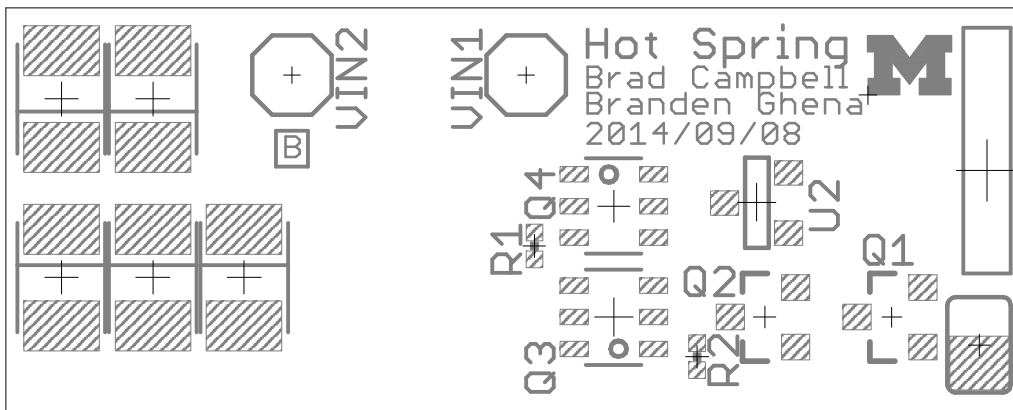


Top Copper Layer

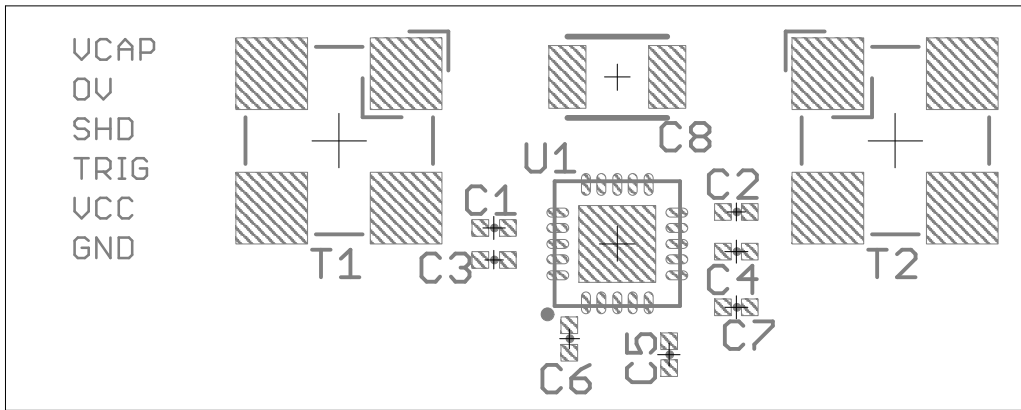


Bottom Copper Layer

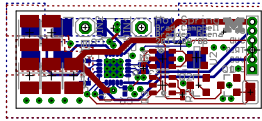




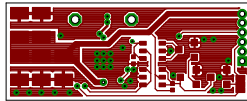
Bottom Paste Layer with Silkscreen



Top and Bottom Layers 1:1 Scale



Top Layer 1:1 Scale



Bottom Copper Layer 1:1 Scale

