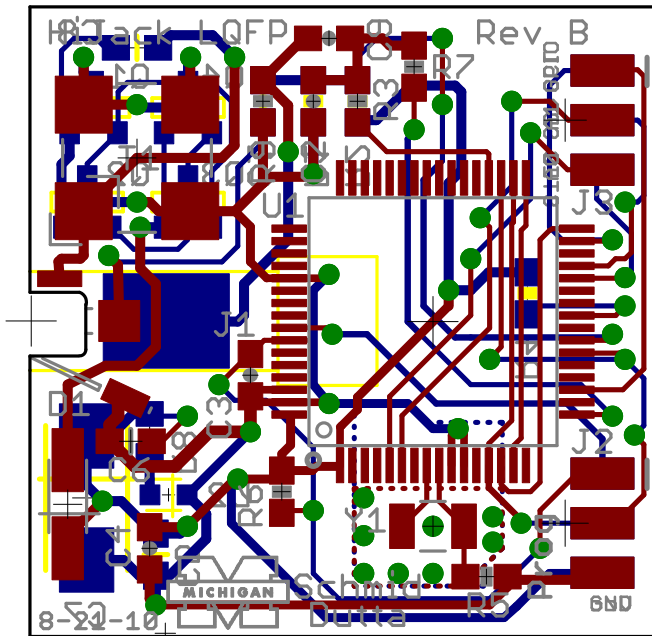
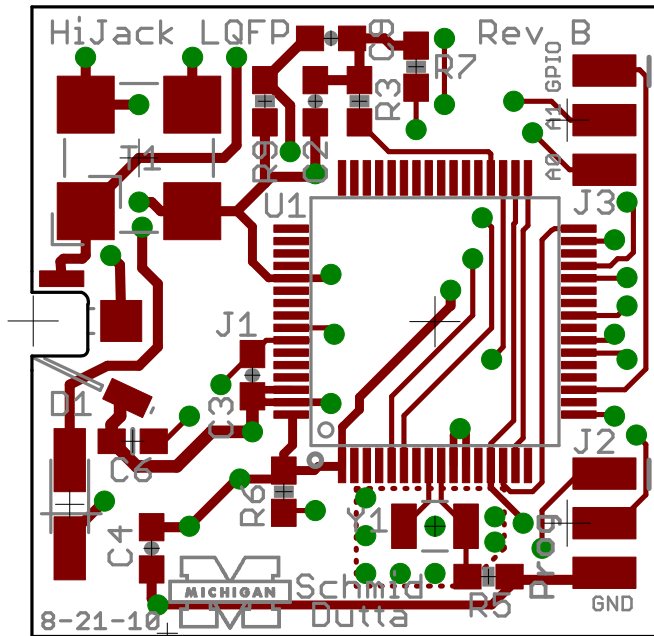


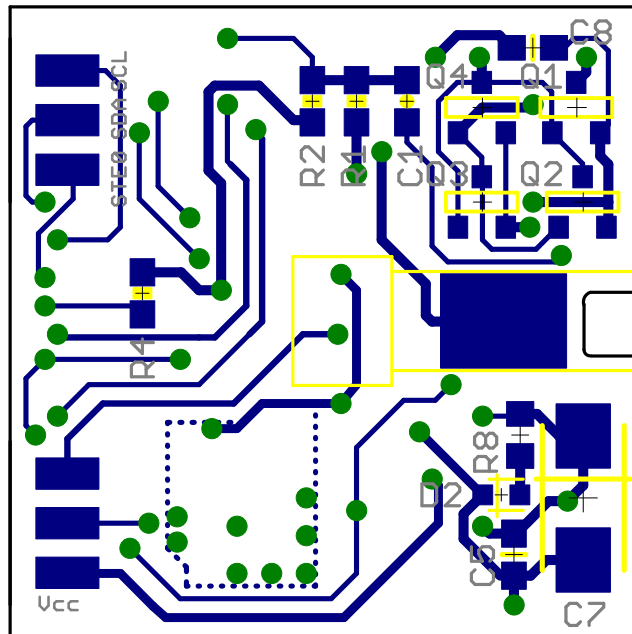
TITLE: HIJACK_LQPF_B	
Document Number:	REV:
Date: 1/9/14 11:56 PM	Sheet: 1/1

Top and Bottom Layers

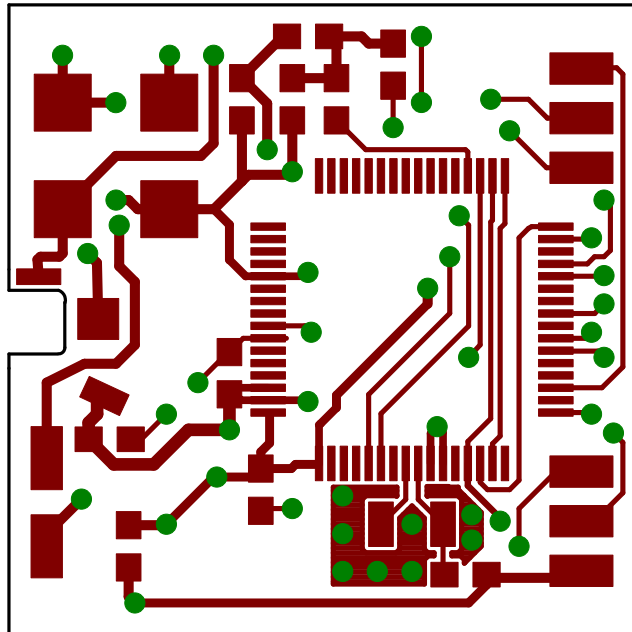




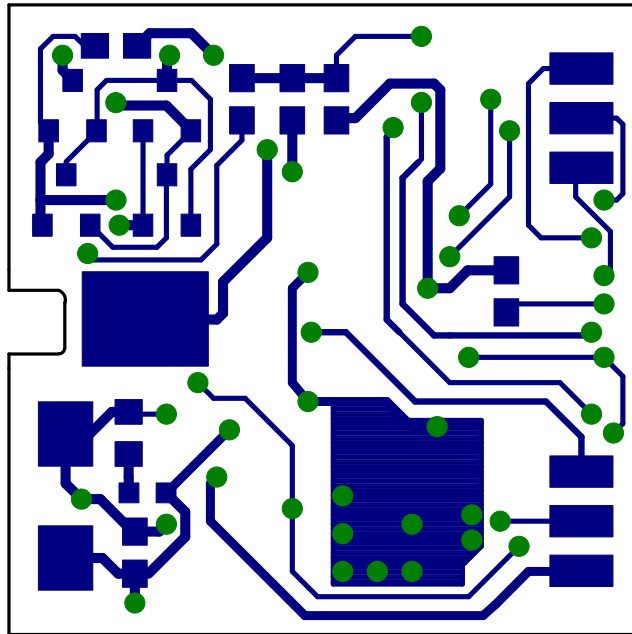
Bottom Layer



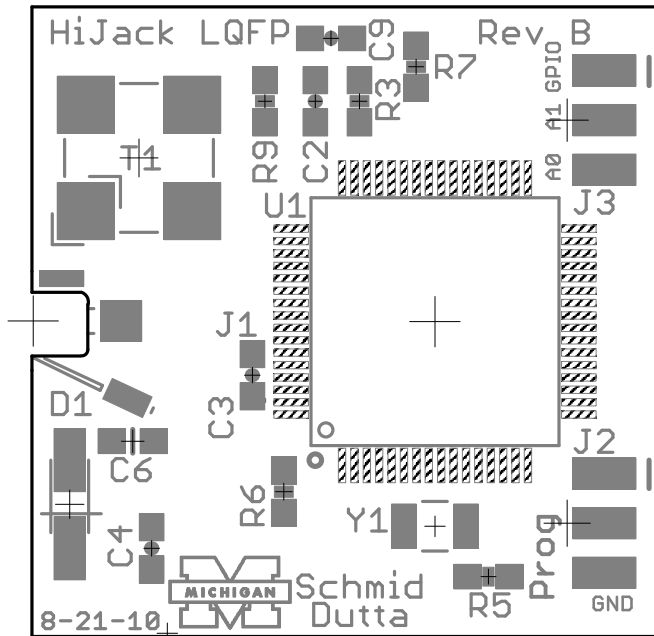
Top Copper Layer



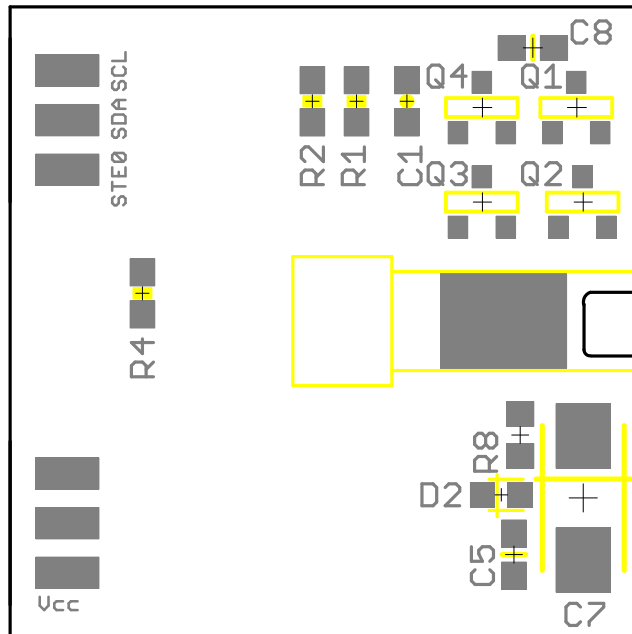
Bottom Copper Layer



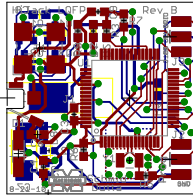
Top Paste Layer with Silkscreen



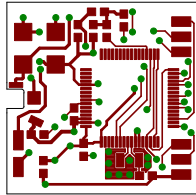
Bottom Paste Layer with Silkscreen



Top and Bottom Layers 1:1 Scale



Top Layer 1:1 Scale



Bottom Copper Layer 1:1 Scale

