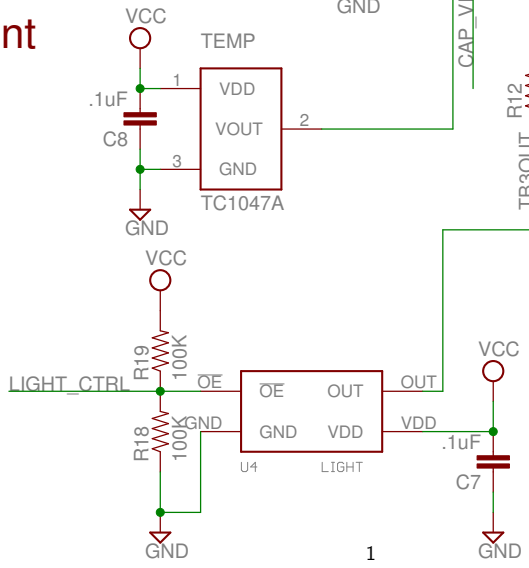
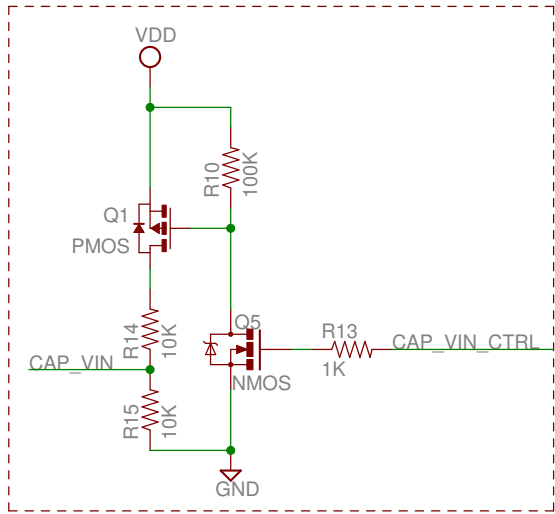
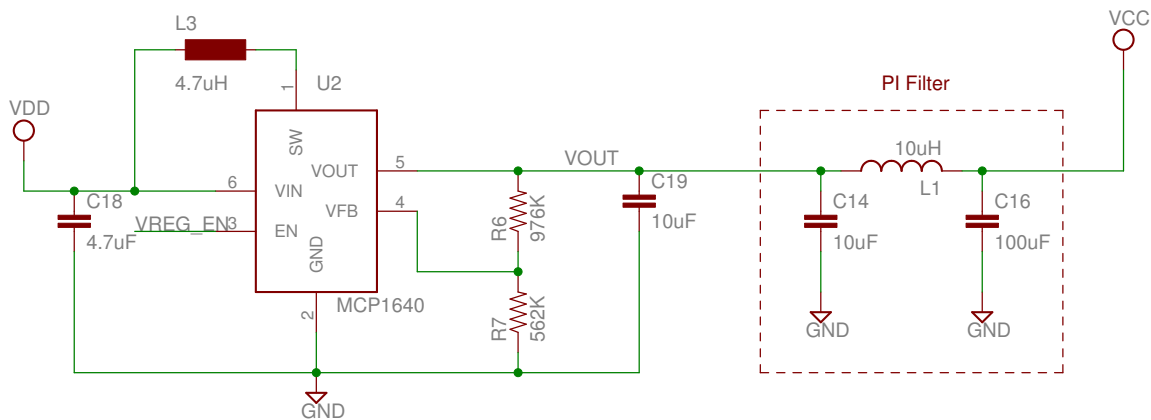
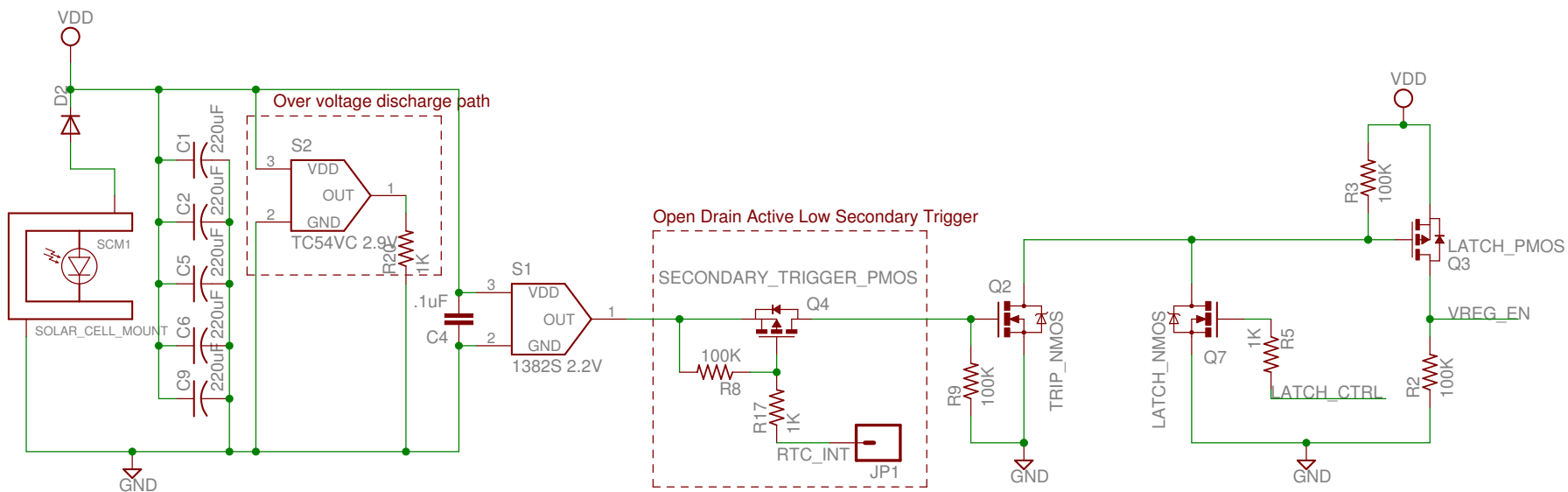


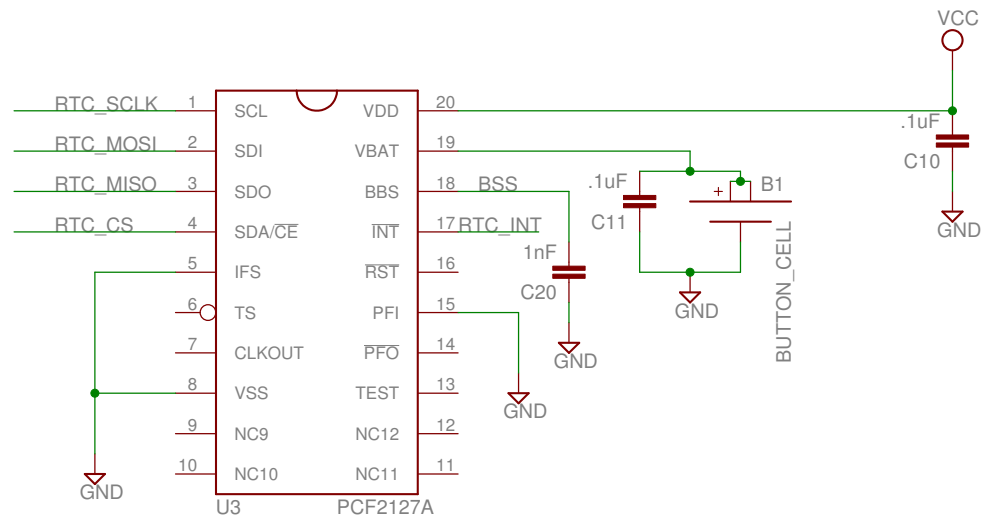
Capacitor Voltage Measurement



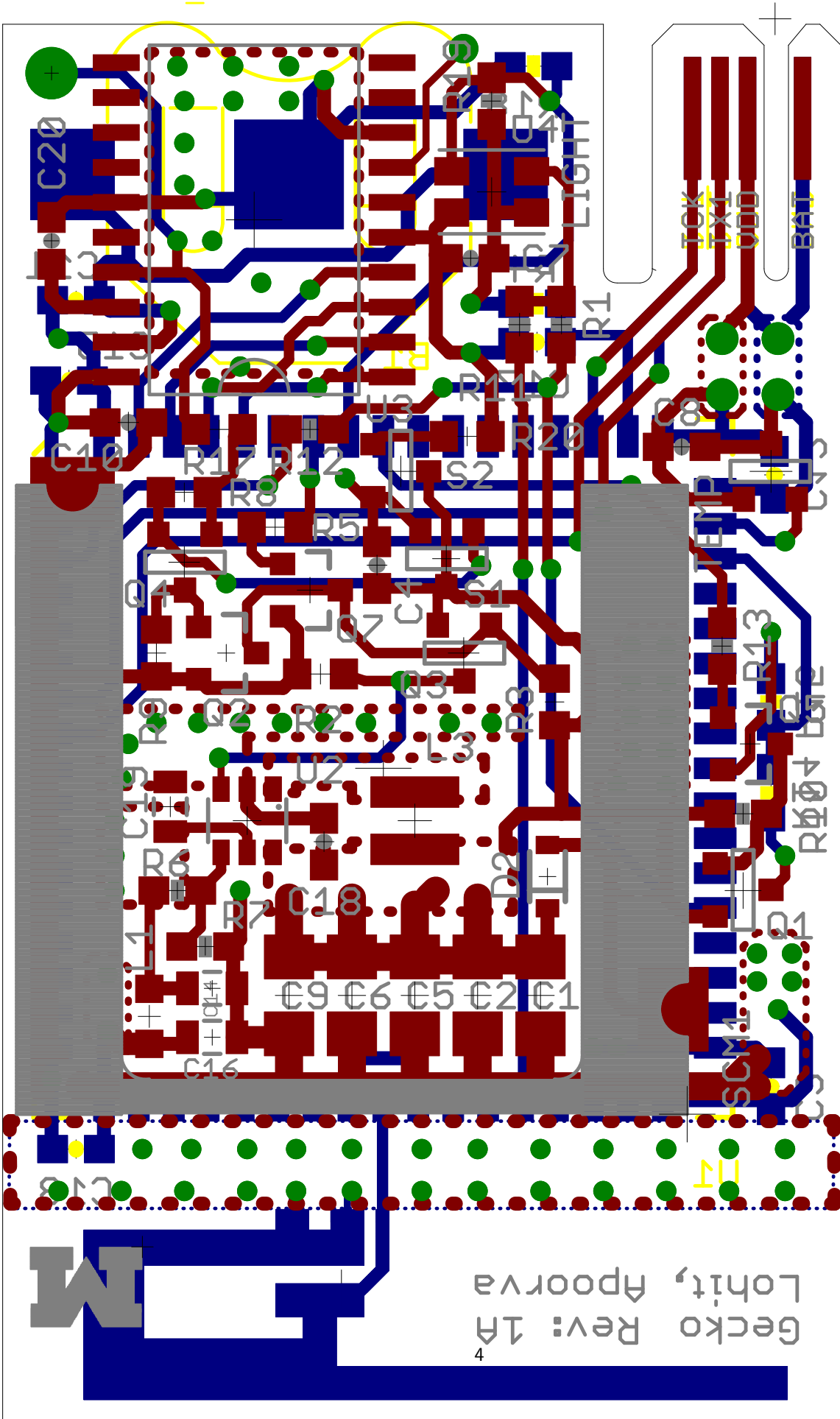
EPIC Core Circuit	
TITLE: gecko	
Document Number:	REV: A
Date: 10/21/13 1:51 PM	Sheet: 1/3

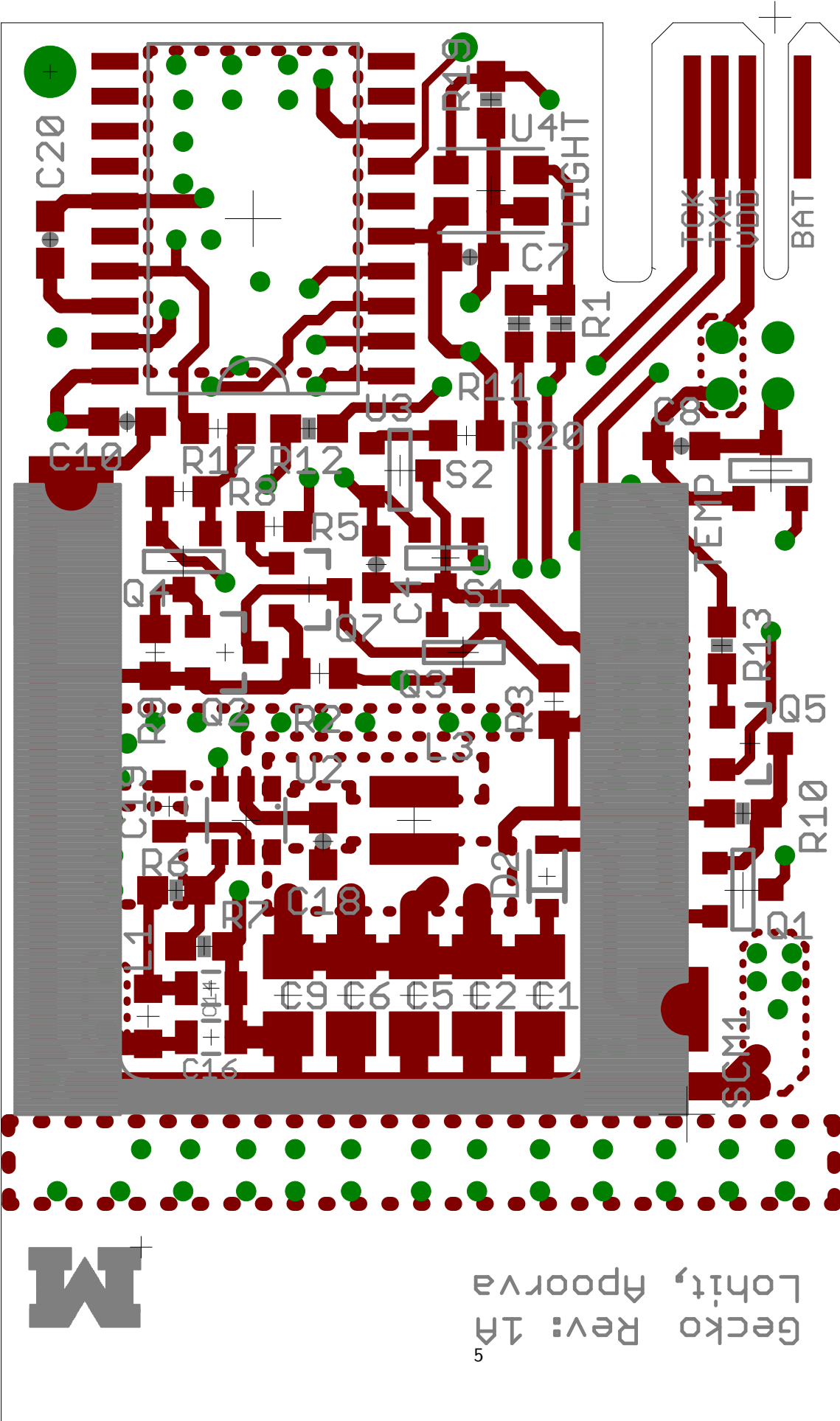


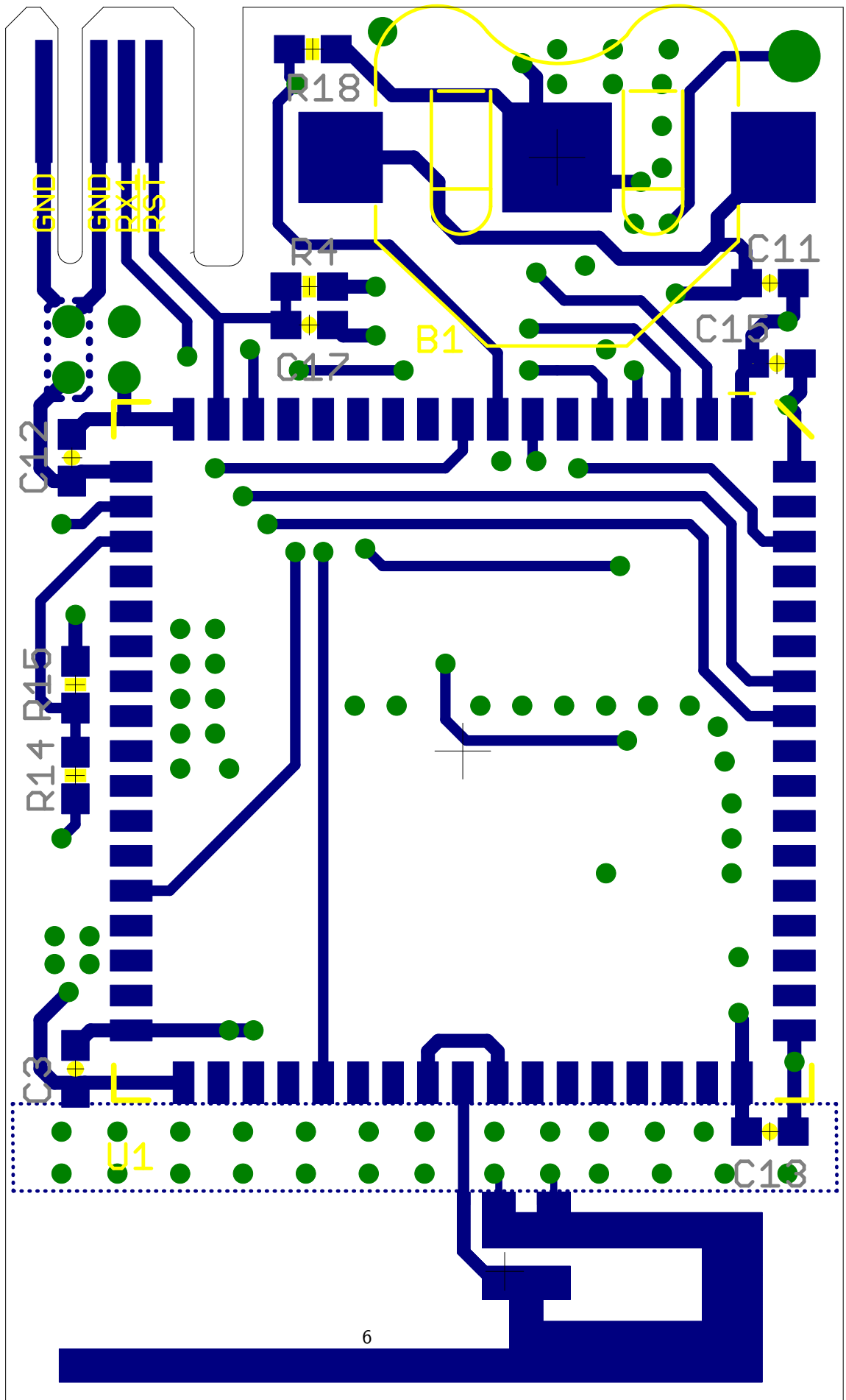
Voltage Detection Circuit Switching Regulator	
TITLE: gecko	
Document Number:	REV:
Date: 10/21/13 1:51 PM	Sheet: 2/3



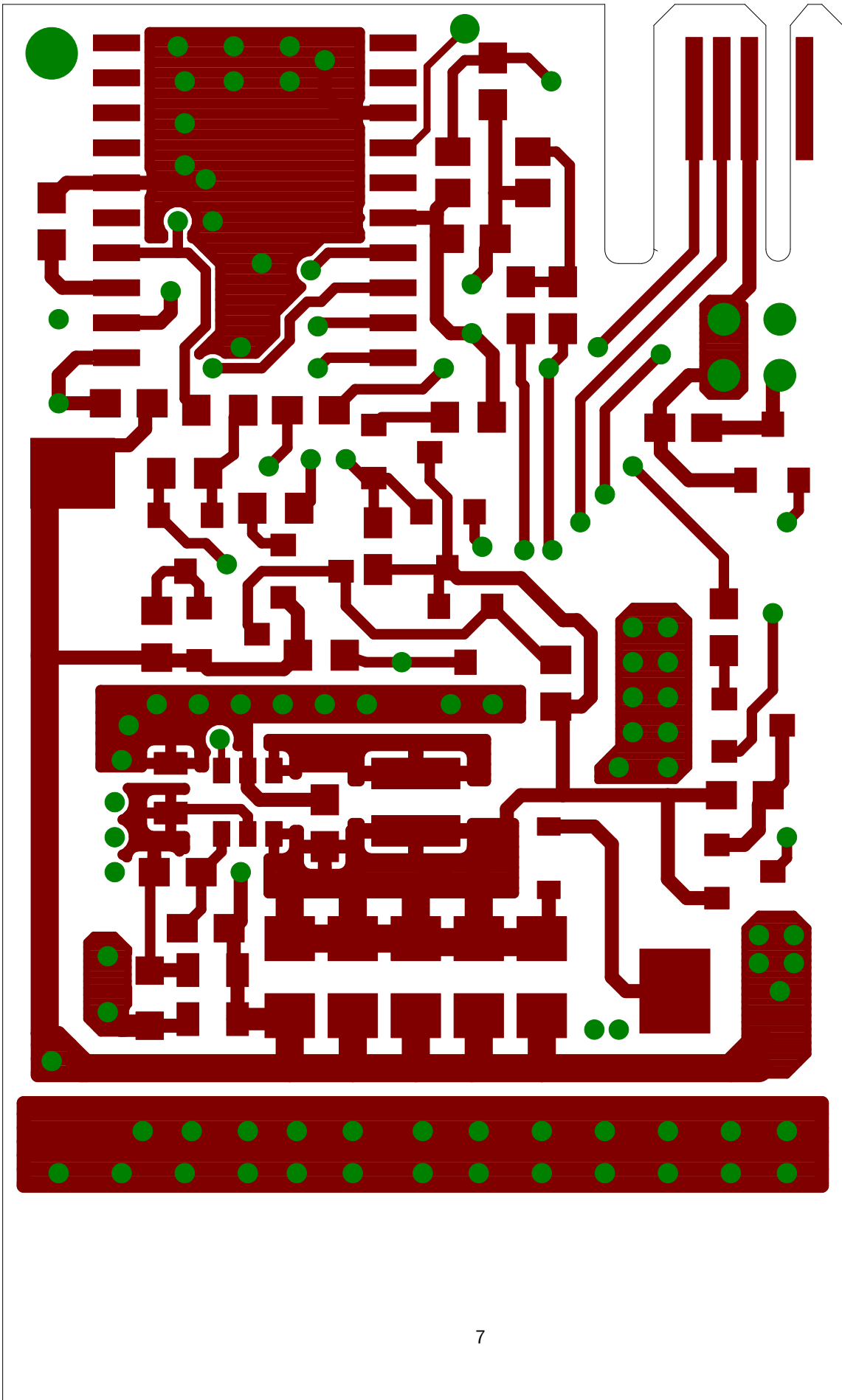
<h2>Real Time Clock</h2>	
TITLE: gecko	
Document Number:	REV:
Date: 10/21/13 1:51 PM	Sheet: 3/3



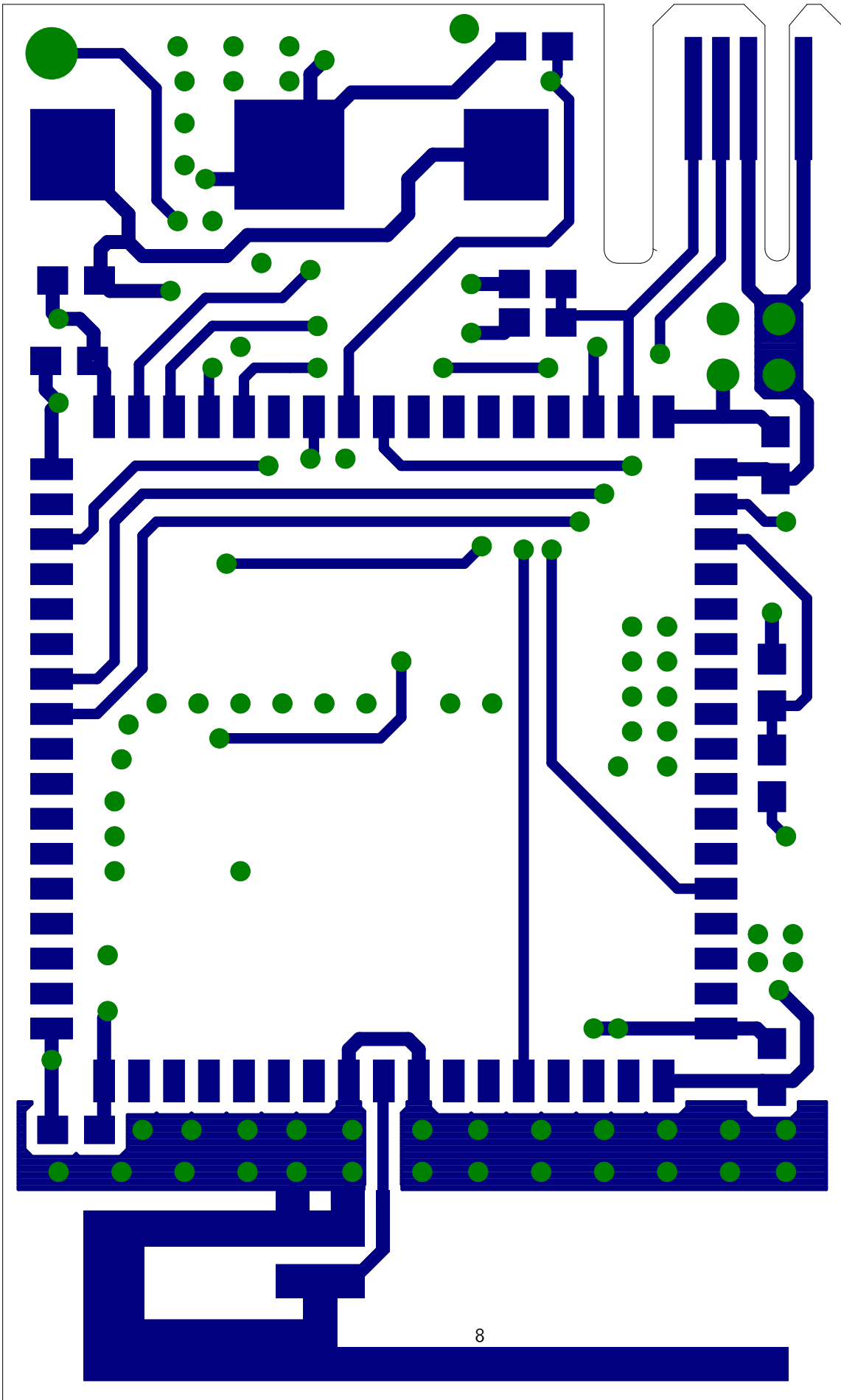




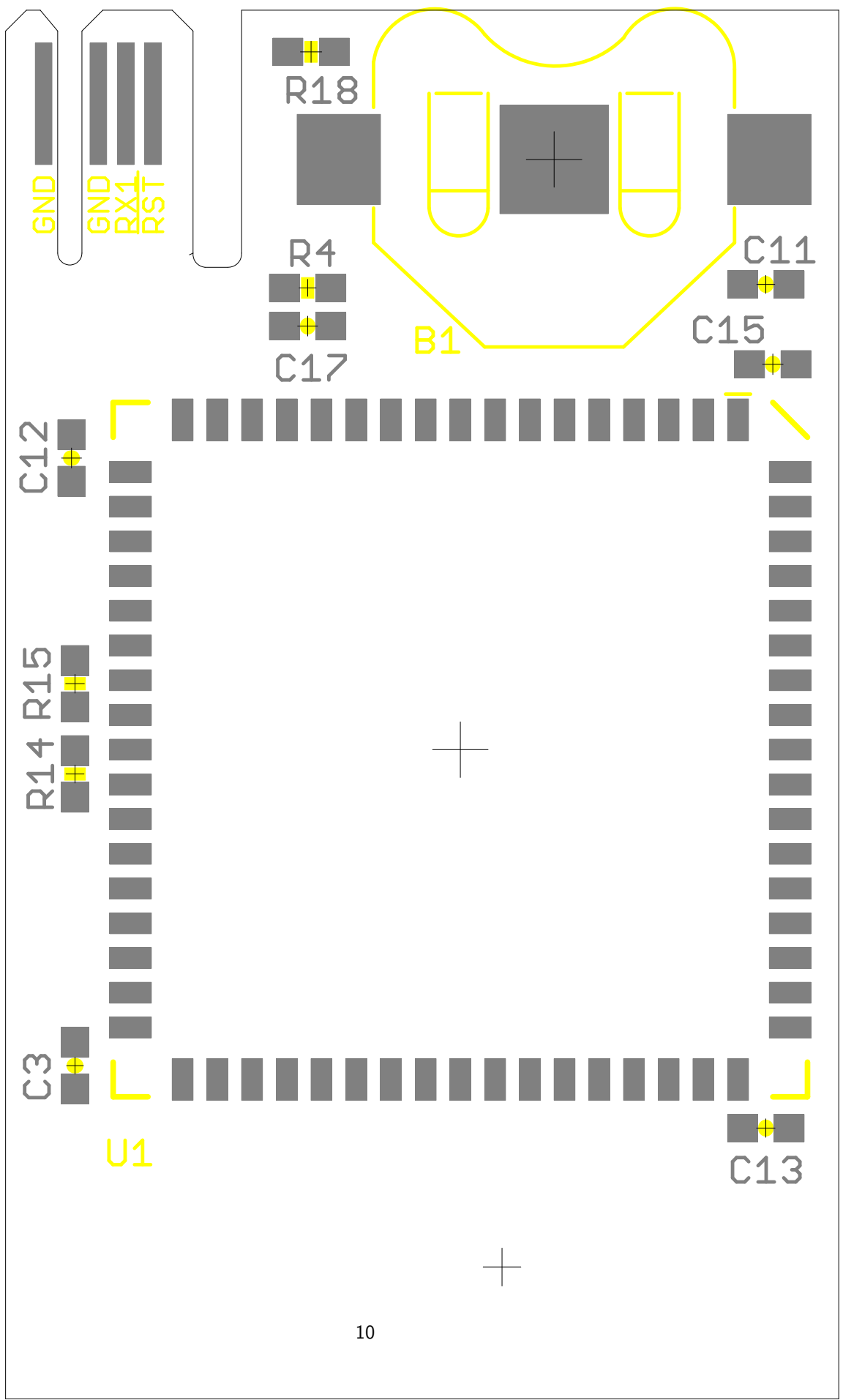
Top Copper Layer



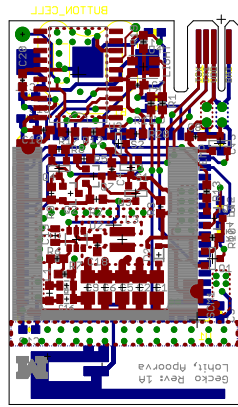
Bottom Copper Layer



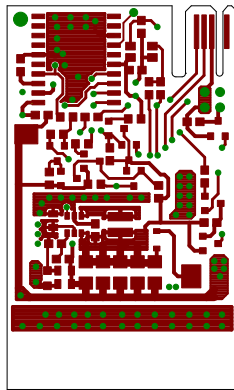
BUTTON_CELL



Top and Bottom Layers 1:1 Scale



Top Layer 1:1 Scale



Bottom Copper Layer 1:1 Scale

