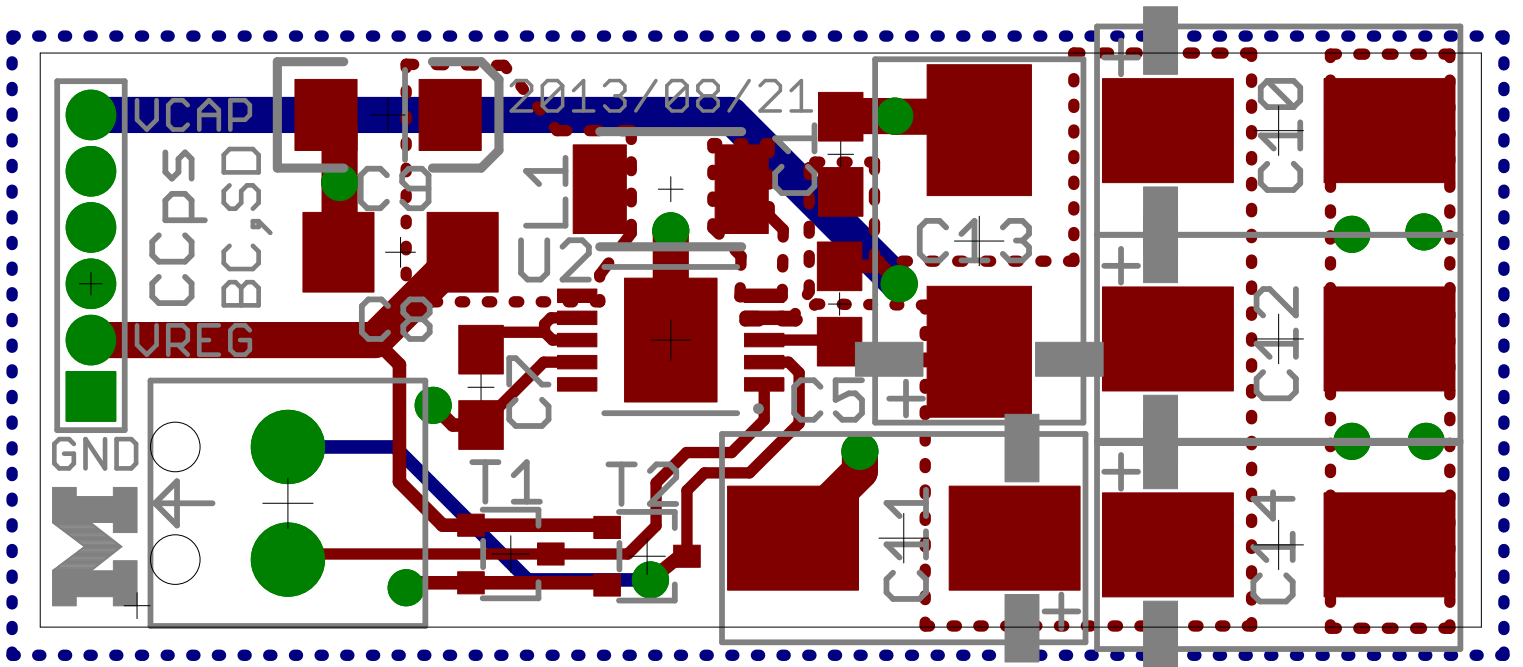
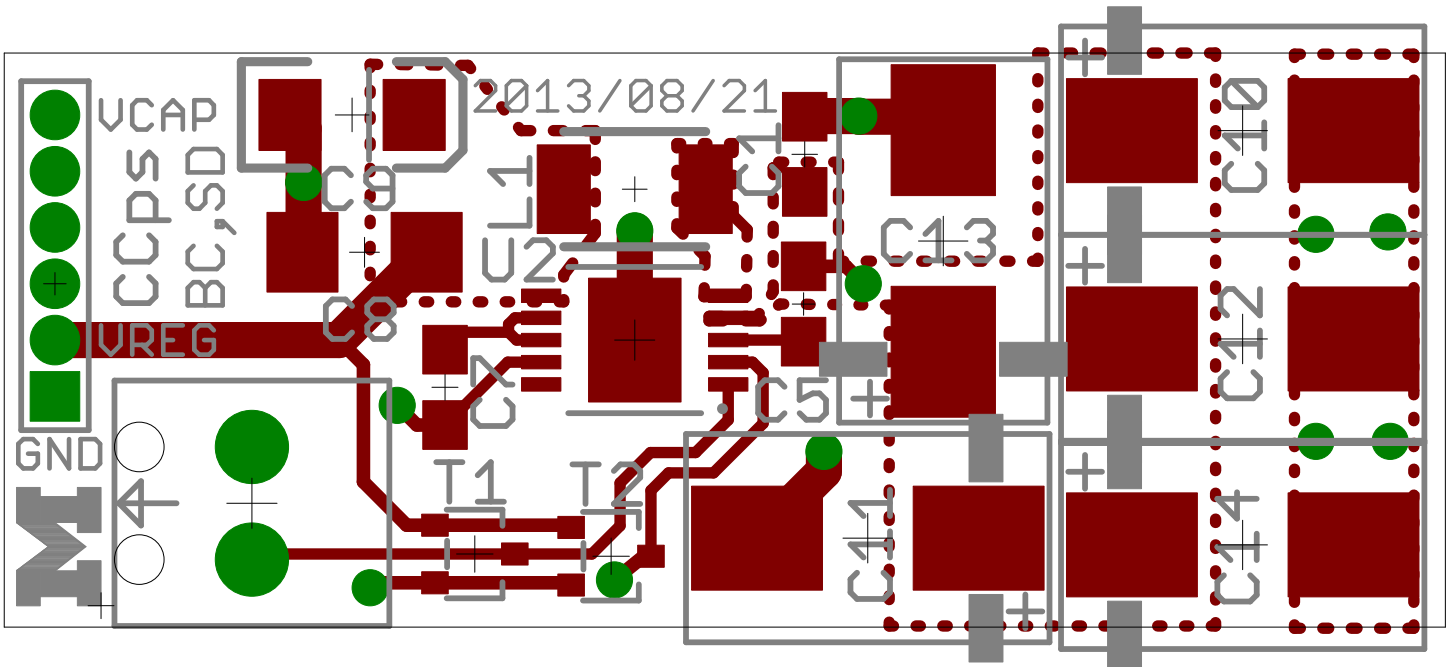
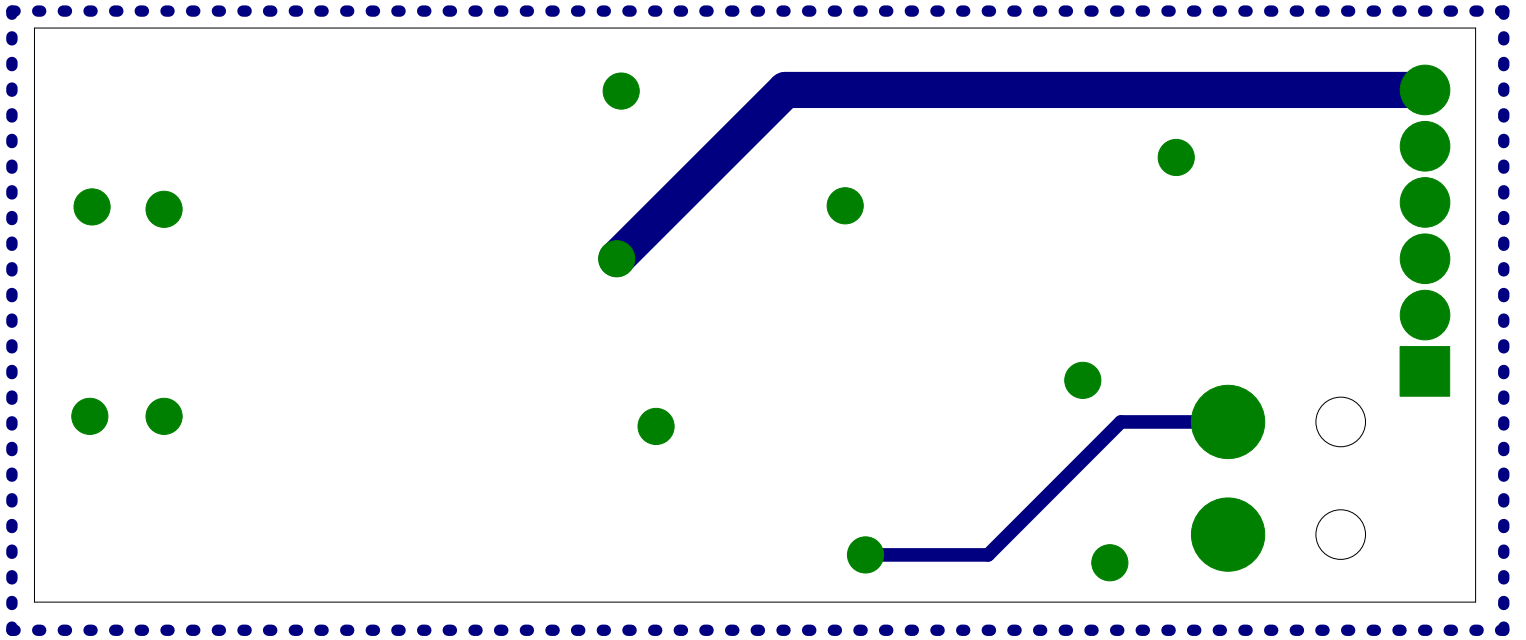


 Coilcube Power Supply	REV: A
Author: Brad Campbell	
Date: 11/26/13 2:30 PM	Sheet: 1/1

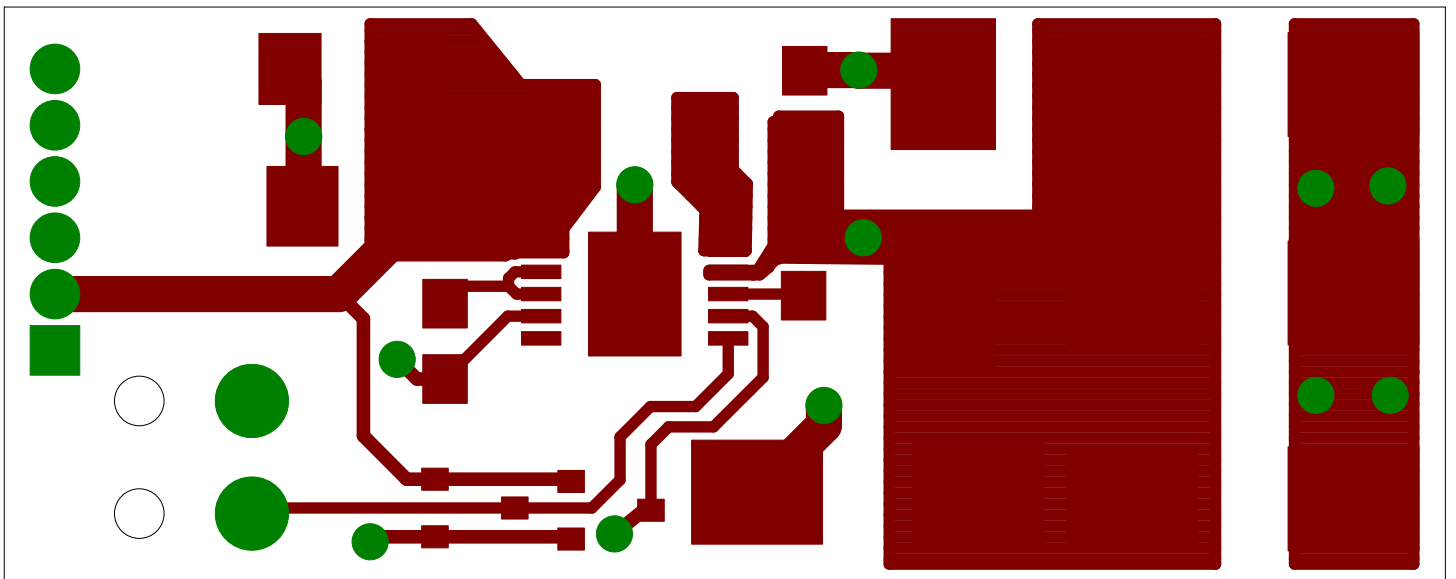




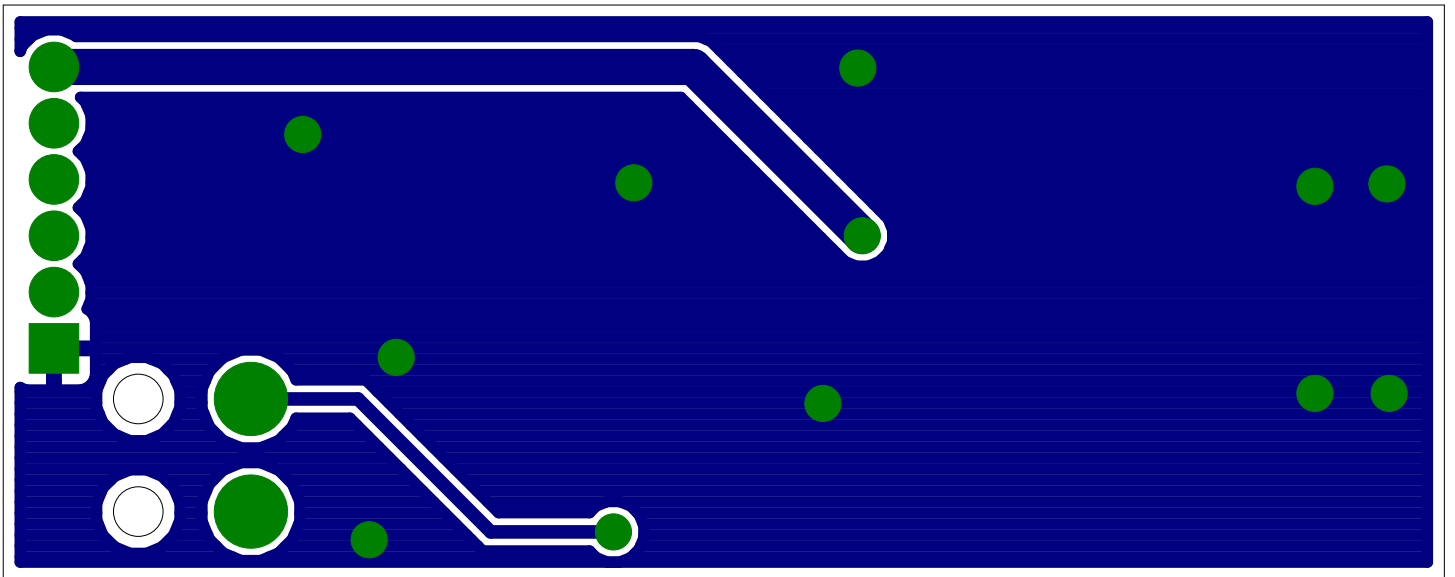
Bottom Layer

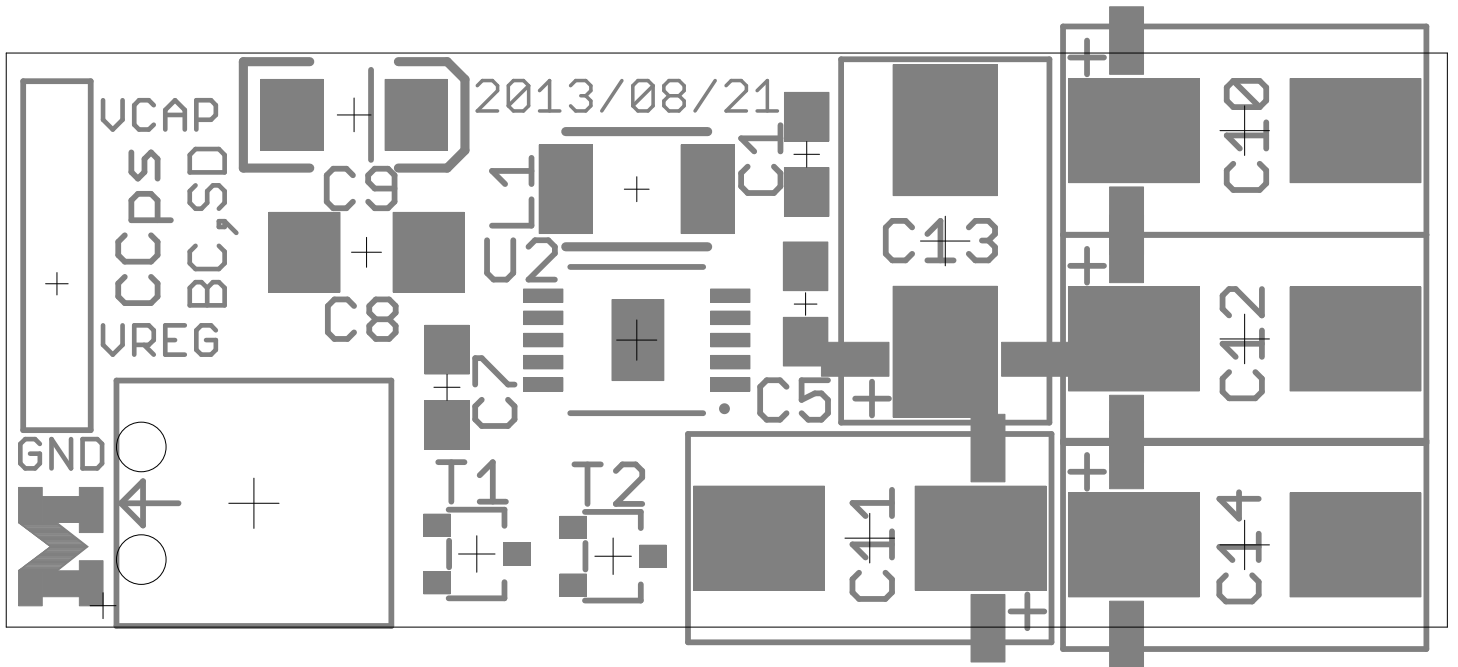


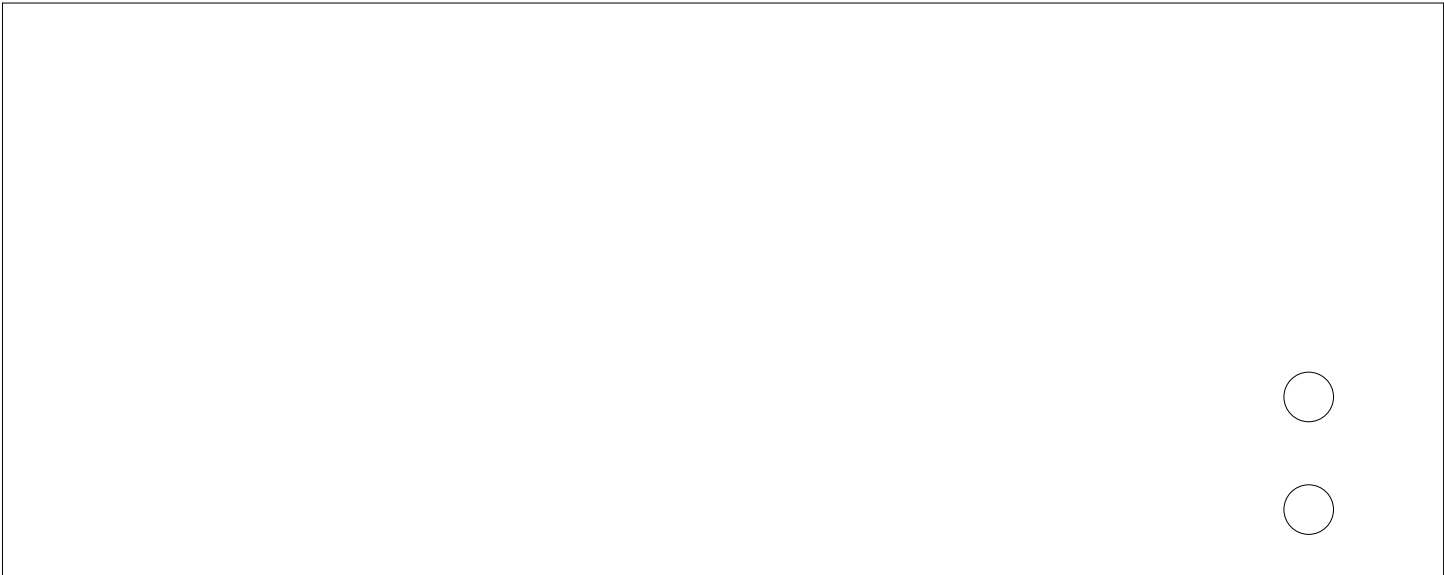
Top Copper Layer



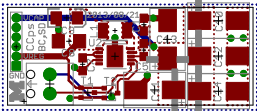
Bottom Copper Layer



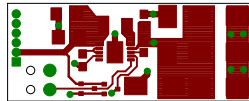




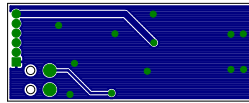
Top and Bottom Layers 1:1 Scale



Top Layer 1:1 Scale



Bottom Copper Layer 1:1 Scale



cc_power_supply_bom.xlsx

Qty	Value	Device	Package	Parts	Description	DIGIKEY	DIGIREEL	MOUSER
	10.1uF	C-EUC0603	C0603	C1	CAPACITOR, European symbol	445-1316-1-ND	445-1316-6-ND	
	11uF	C-EUC0603	C0603	C5	CAPACITOR, European symbol	445-1321-1-ND	445-1321-6-ND	
	14.7uF	C-EUC0603	C0603	C7	CAPACITOR, European symbol	445-5178-1-ND	445-5178-6-ND	
	110uF	C-EUC1206	C1206	C8	CAPACITOR, European symbol	399-8152-1-ND	399-8152-6-ND	
	147uF	CAP_POL1206	EIA3216	C9	Capacitor Polarized	399-3700-1-ND	399-3700-6-ND	
	5100uF 25V	2917_CAP_POL	2917_CAP_POL	C10, C11, C12, C13, C14		399-5175-1-ND	399-5175-6-ND	
DNP	SCREW-TERMINAL_2_0.100	SCREW-TERMINAL_2_0.100	CONN_BLOCK_2	J1	2x 0.100 in screw terminal block	277-1273-ND		
	110uH	INDUCTOR1210	1210	L1	Inductors	587-1625-1-ND	587-1625-6-ND	
2	NCHAN_MOSFET	NCHAN_MOSFET	NCHAN_MOSFET	T1, T2		SI1302DL-T1-GE3CT-ND	SI1302DL-T1-GE3DKR-NC781-SI1302DL-E3	
1	LTC3588	LTC3588	MSOP-10-GNDPAD U2		Energy Harvesting Power Supply	LTC3588EMSE-1#PBF-ND		
DNP	GECKO_POWER_SUPPLY_CONI	GECKO_POWER_SUPPLY_CONI	HEADER1X6/0.05IN J1		Header on the gecko power supply board	TMS-106-51-G-S-ND		