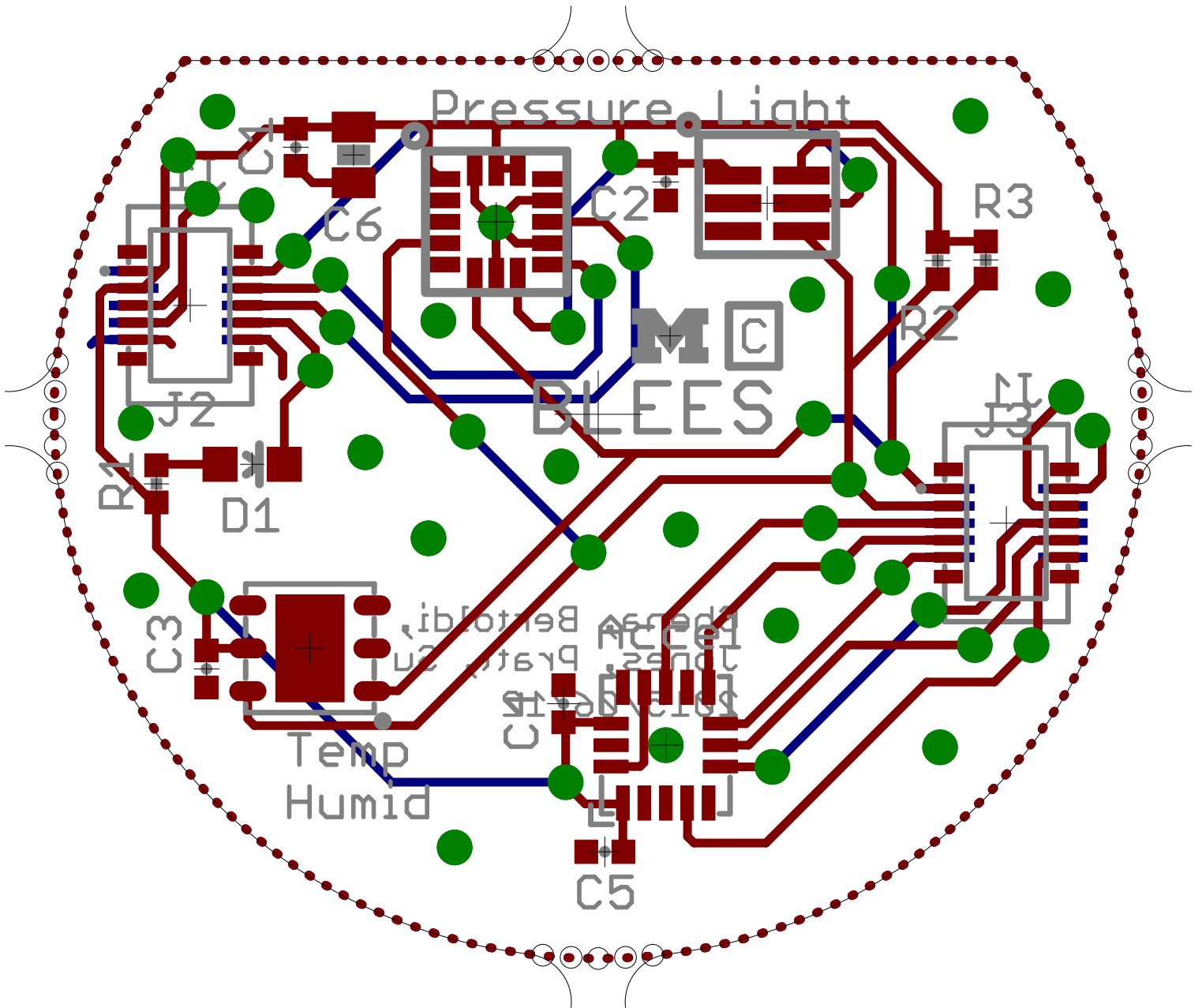
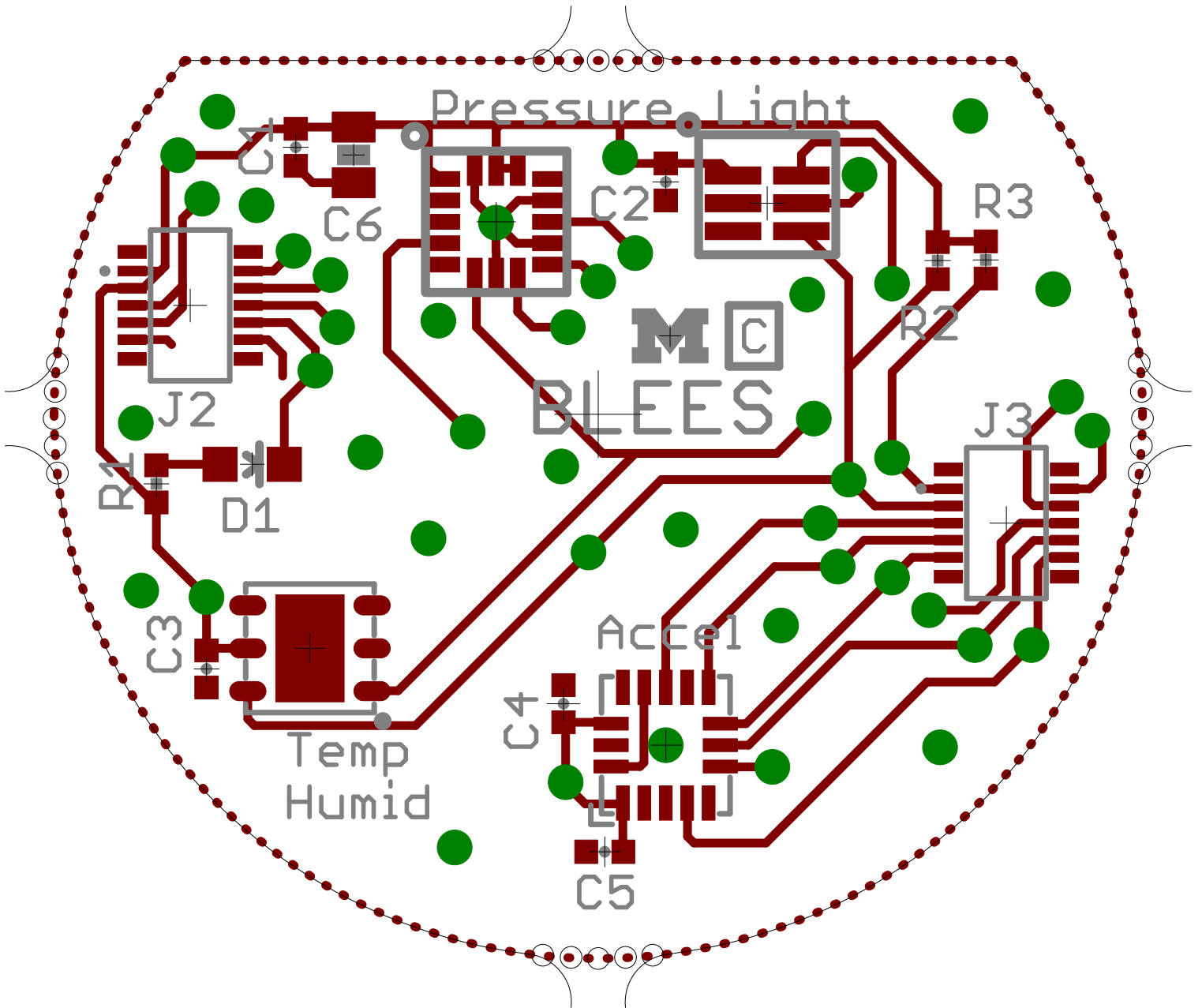
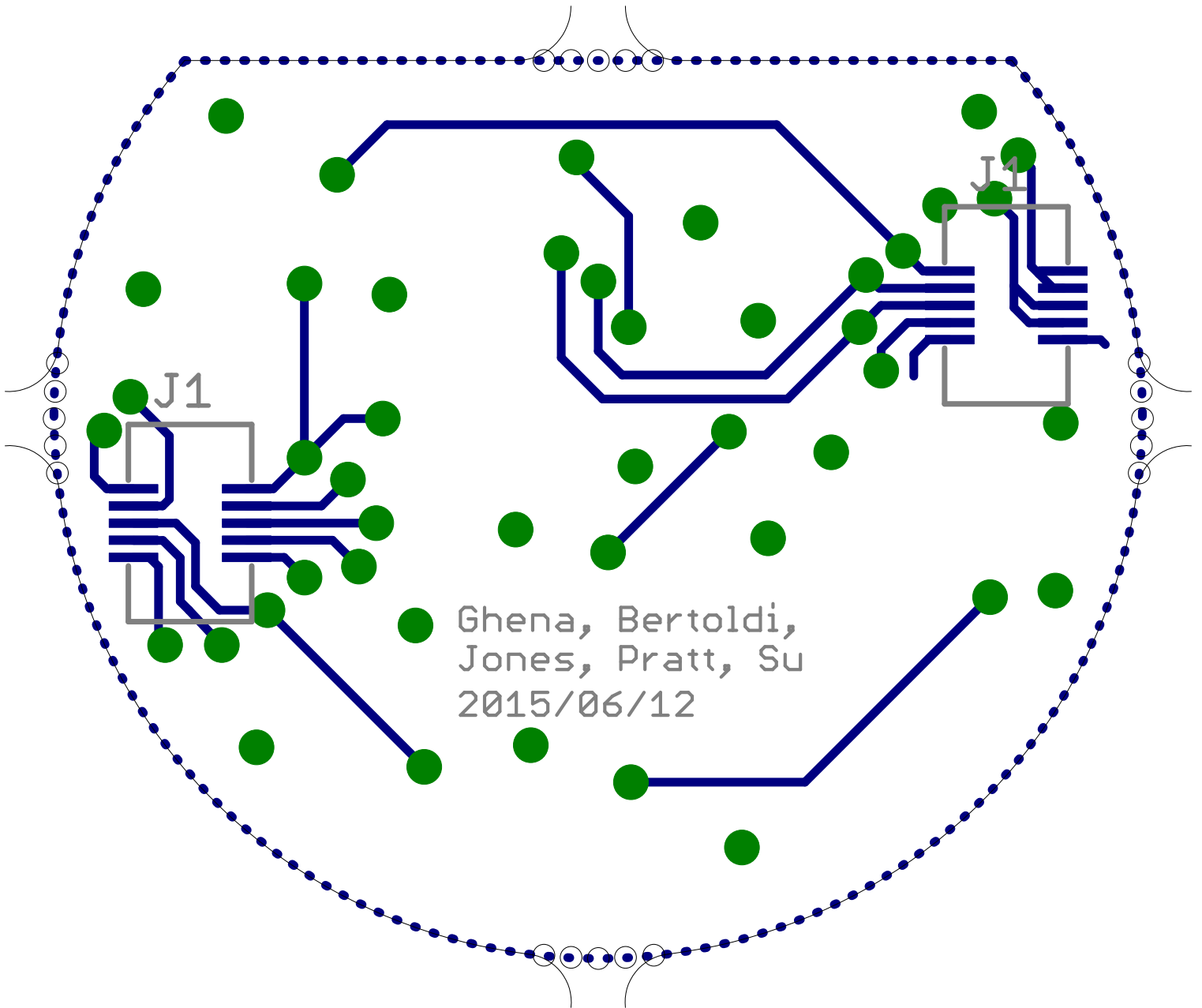


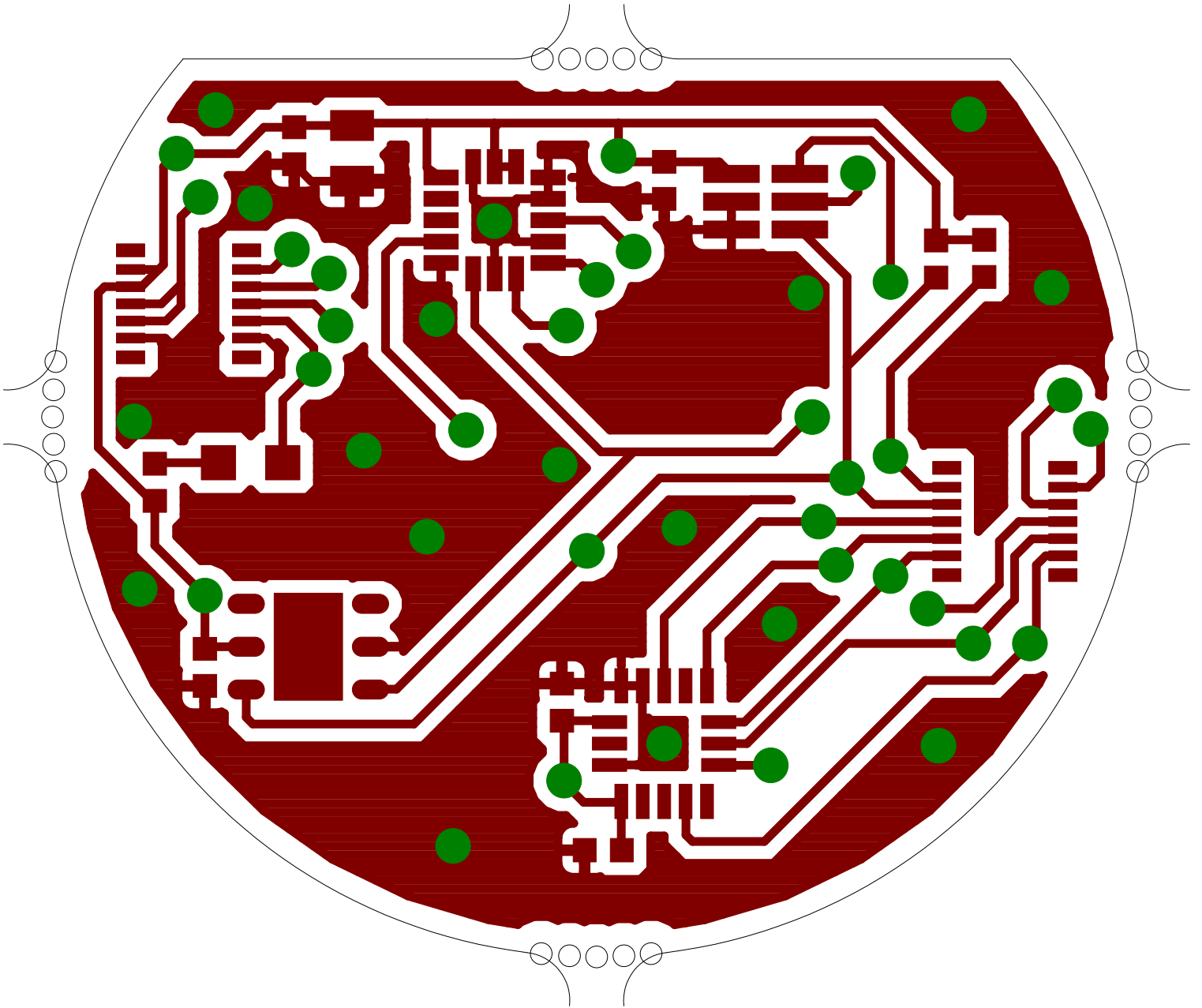
TITLE: squall-blees-board	
Document Number:	REV:
Date: 7/31/15 7:16 PM	Sheet: 1/1



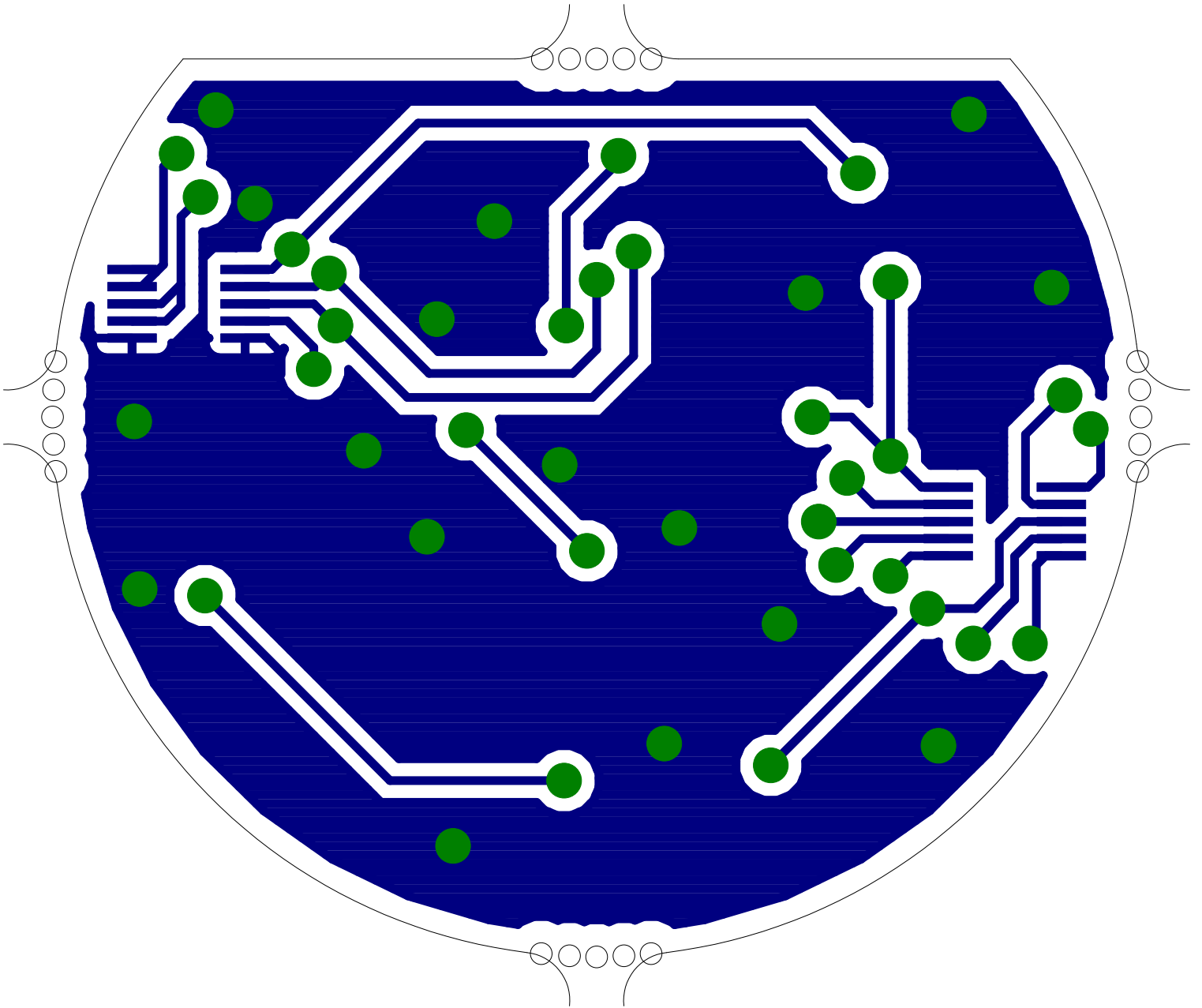


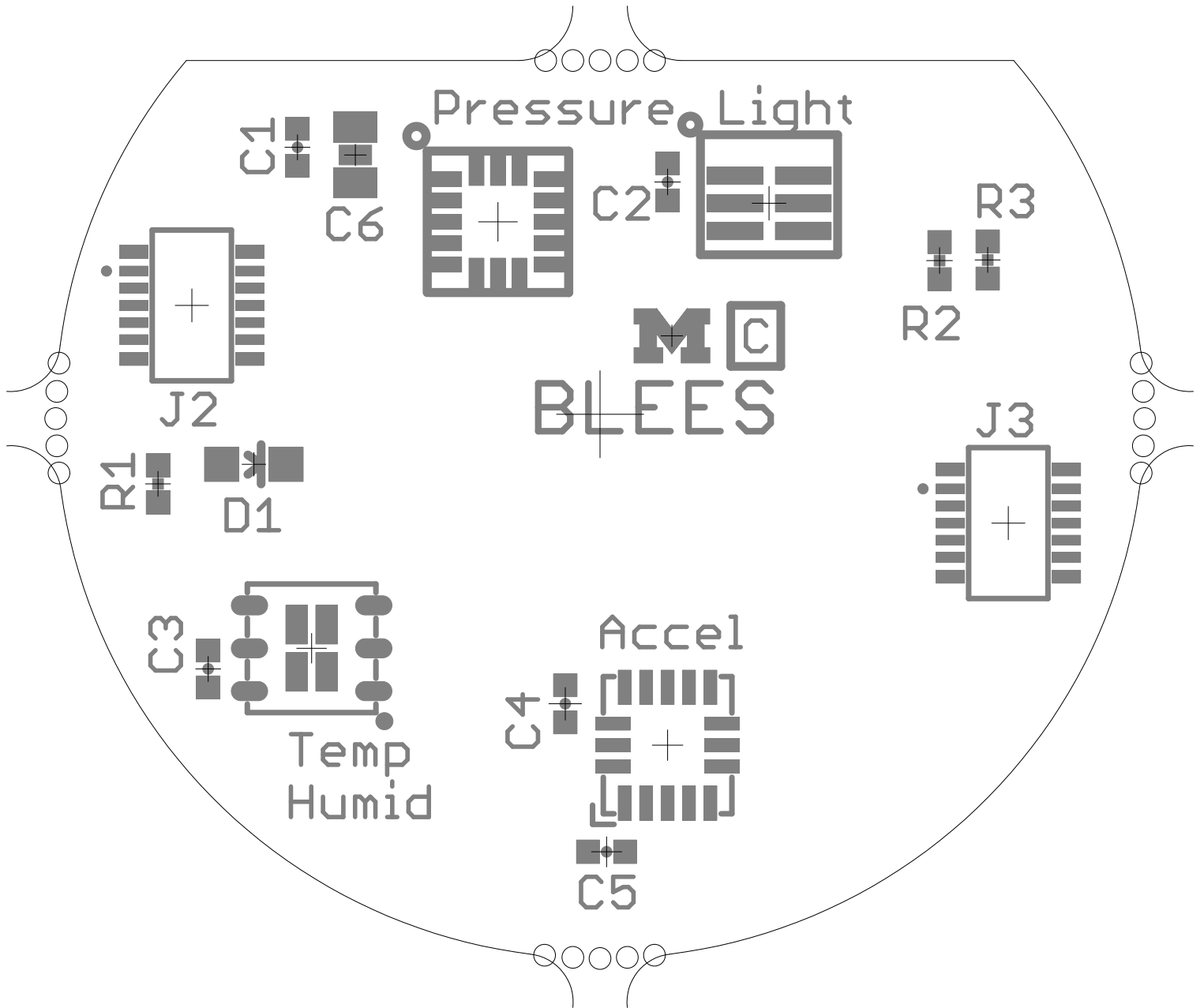


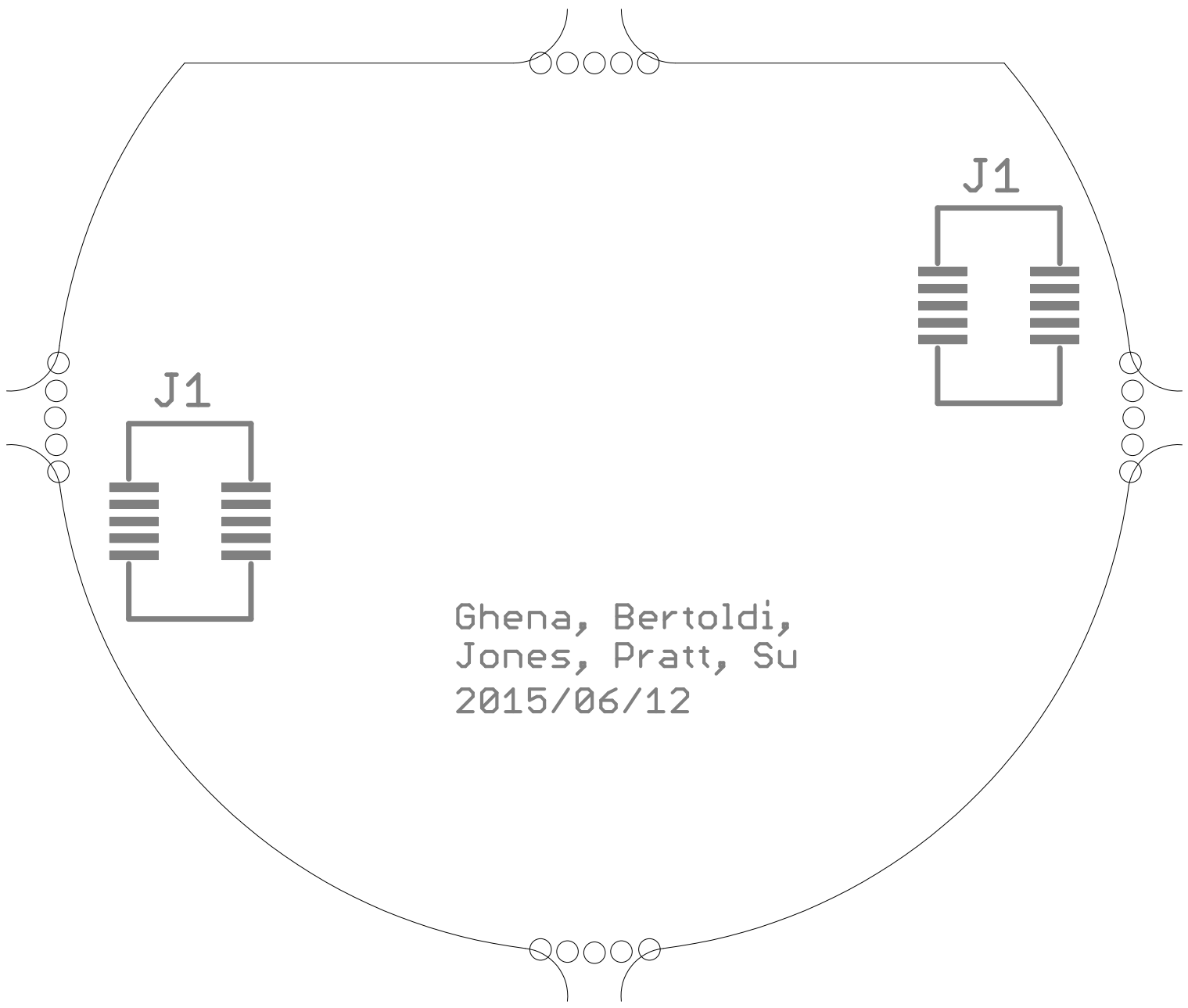
Top Copper Layer



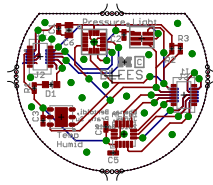
Bottom Copper Layer



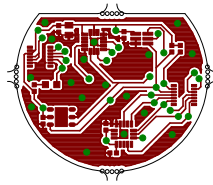




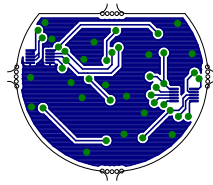
Top and Bottom Layers 1:1 Scale



Top Layer 1:1 Scale



Bottom Copper Layer 1:1 Scale



	Qty	Value	Device	Package	Parts
b	5	100nF	CAPACITOR	0402_CAP	C1, C2, C3, C4, C5
b	1	10uF	CAPACITOR0603_CAP	0603_CAP	C6
l	1	BLUE	LED0603	LED-0603	D1
b	2	SQUALL_HEADER	SQUALL_HEADER	SQUALL_HEADER	J1
s	2	HIROSE-DF40C-10DP-0.4V	HIROSE-DF40C-10DP-0.4V	2X5/SMD/0.4MM	J2, J3
s	1	1k	RESISTOR0402_RES	0402_RES	R1
b	2	10k	RESISTOR0402_RES	0402_RES	R2, R3
b	1	LPS331APQFN	LPS331APQFN	HCLGA-16L	U1
b	1	TSL2561DFN	TSL2561DFN	DFN2	U2
b	1	Si7021	Si7021	DFN	U3
b	1	ADXL362	ADXL362	ADXL362	U4

(b)lees
 (s)quall
 (l)ed box
 (o)bserver
 (x) did not populate

Description

0402 Capacitor

0603 Capacitor

LEDs

Header for a sensor board on top of the Squall BLE tag board.

DF40 Series Header - 0.4MM Pitch

0402 Resistor

0402 Resistor

LPS331AP pressure sensor

TSL2561 light to digital converter

Si7021 temperature/humidity sensor

Micropower 3-axis accelerometer

DIGIKEY

1276-1442-6-ND

1276-1119-6-ND

160-1647-1-ND

H11617CT-ND

H11616CT-ND

RHM1.0KCECT-ND

RHM10.0KCDCT-ND

TSL2561-FNDKR-ND

336-2542-1-ND

ADXL362BCCZ-R2DKR-ND

MOUSER

NEWARK

798-DF40C10DP0.4V51

68X2585

52X6707