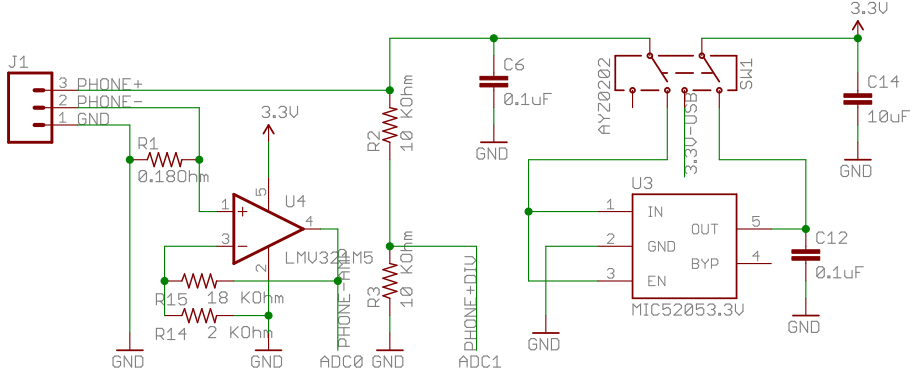


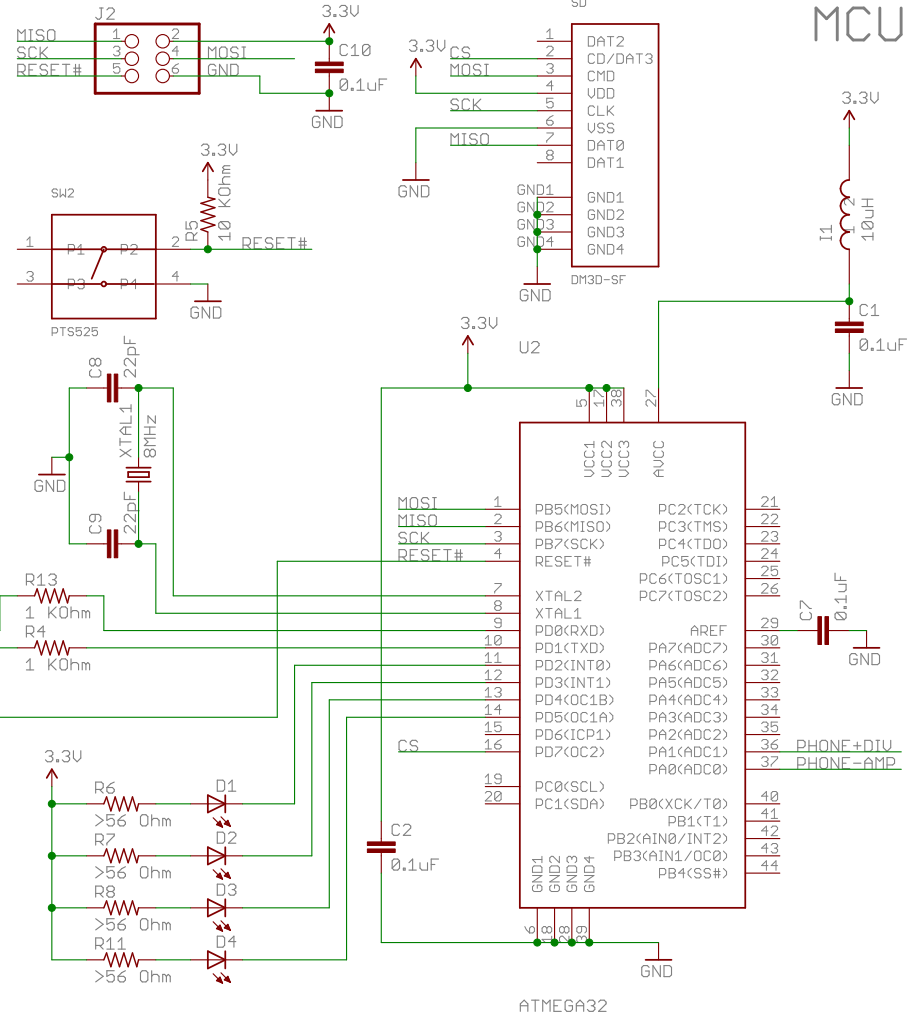
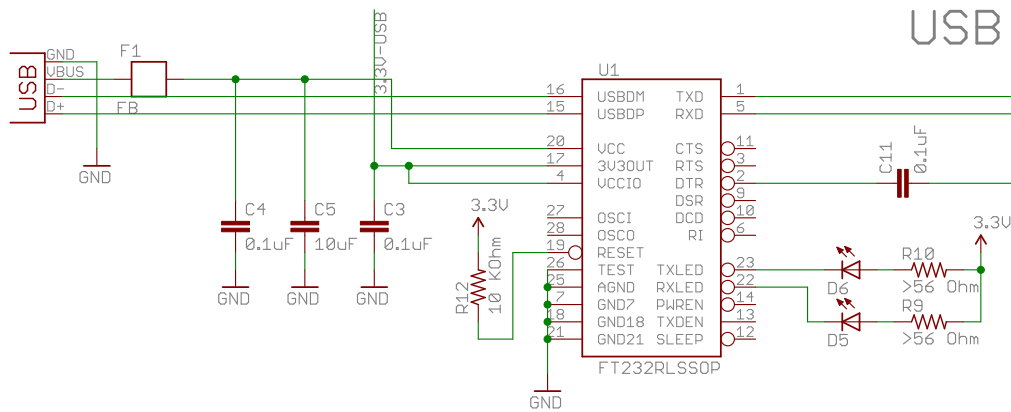
TODO for Version 2.0:
 Surround the caps and crystal with a plane
 Replace opamp with instrument amp
 Switch to ATxmega192D3

Battery measure/supply

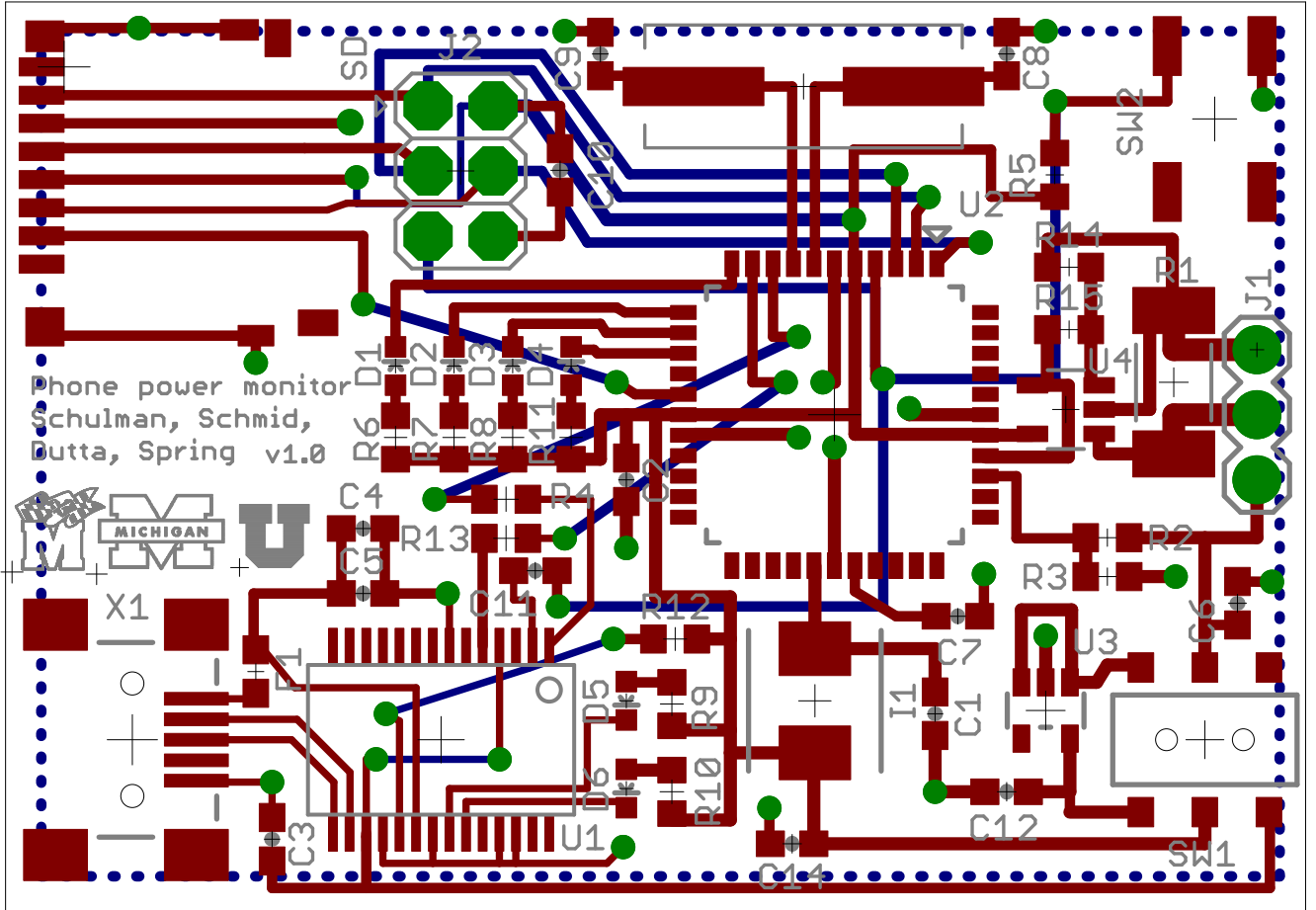


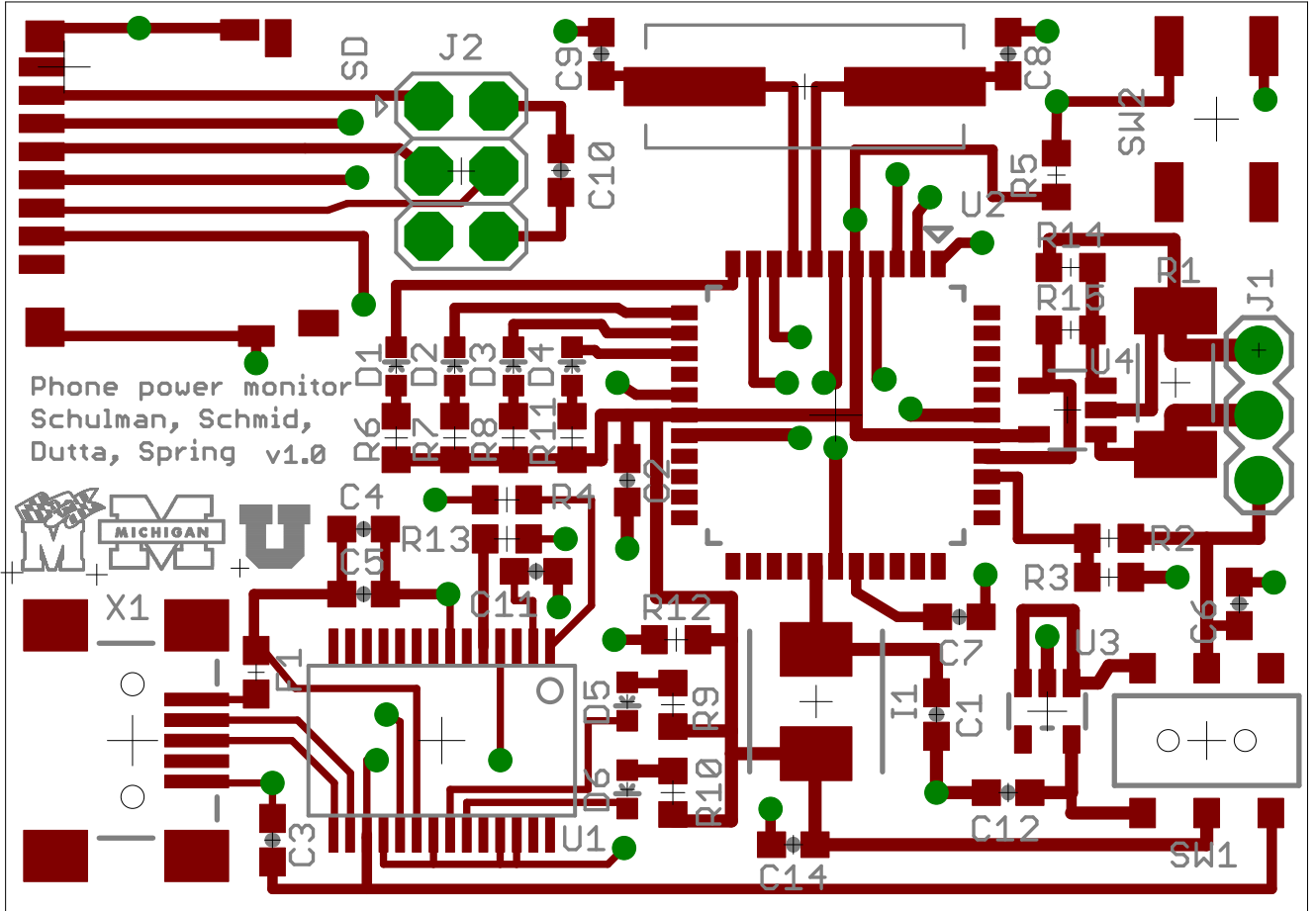
Resistor values for phone with Max 5V and 1.4A
 ADC Uref is 2.56V and amp has 10x gain

USB

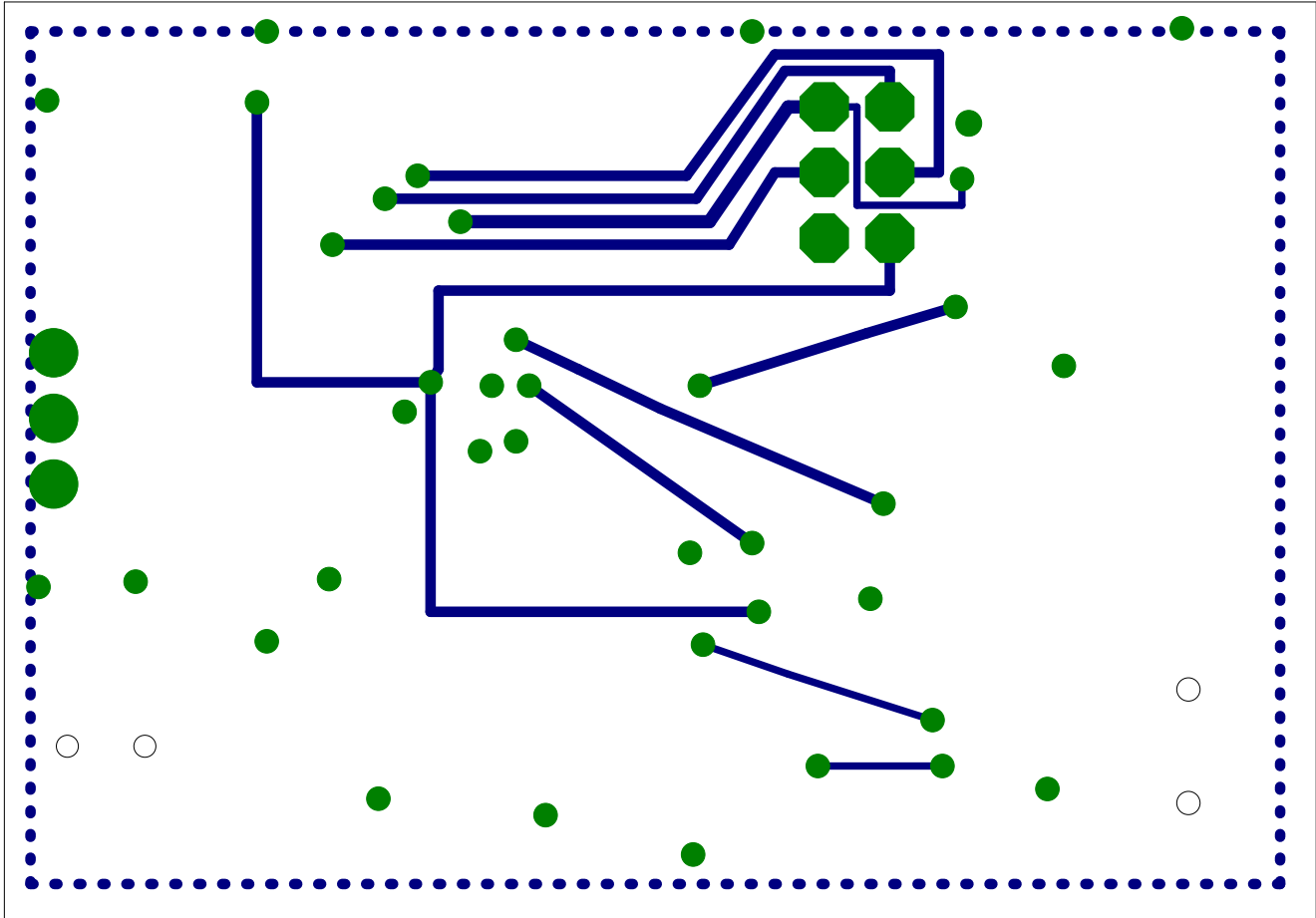


Portable Phone Power Mo
 By: Aron Schulman
 Version 1.0

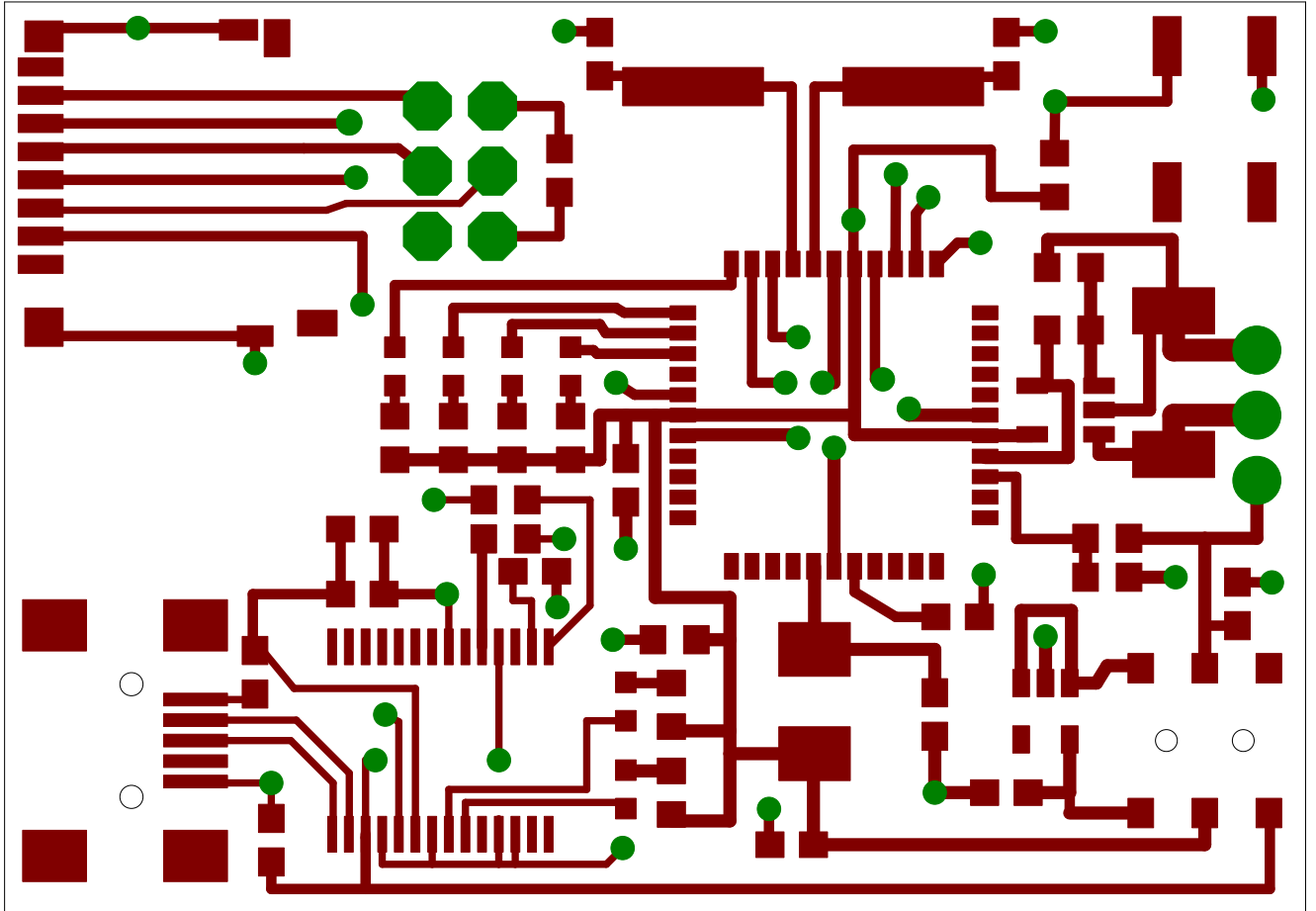




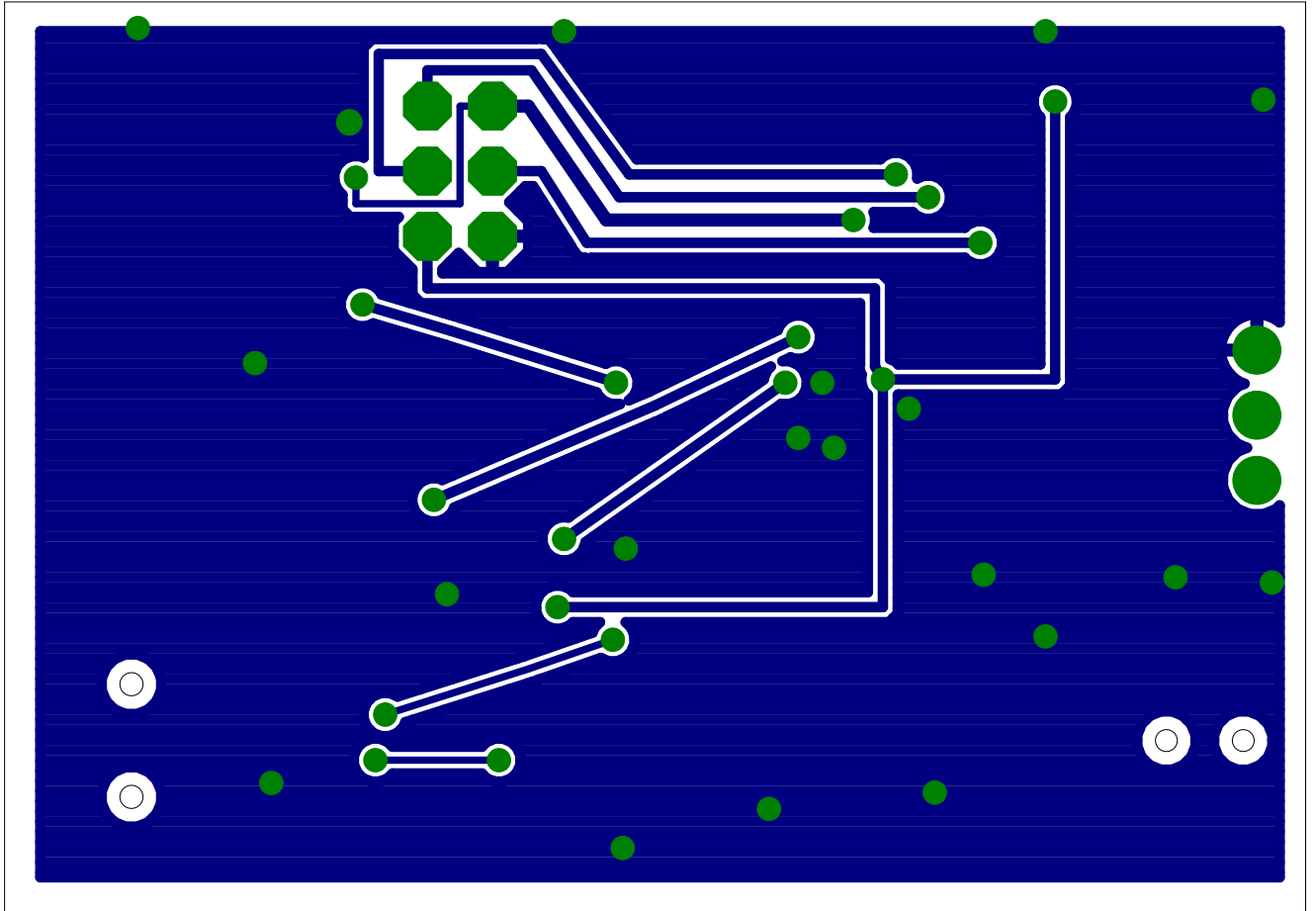
Bottom Layer

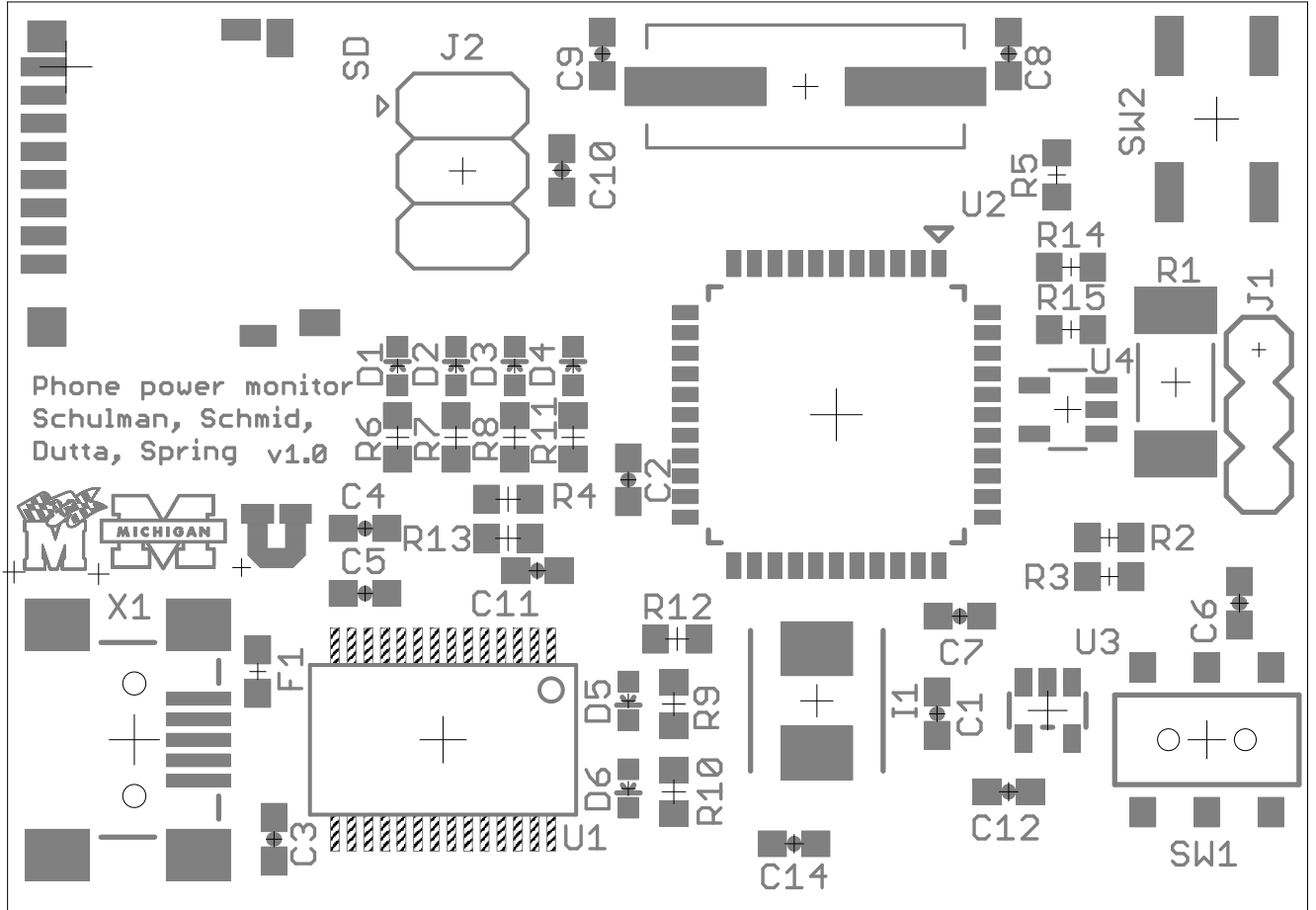


Top Copper Layer



Bottom Copper Layer

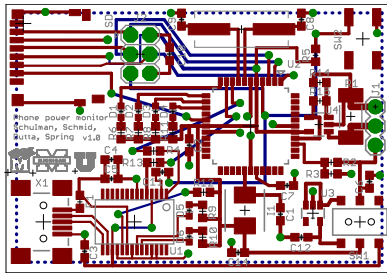




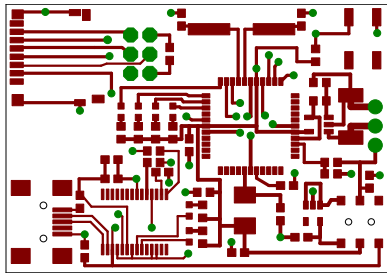
Bottom Paste Layer with Silkscreen



Top and Bottom Layers 1:1 Scale



Top Layer 1:1 Scale



Bottom Copper Layer 1:1 Scale

