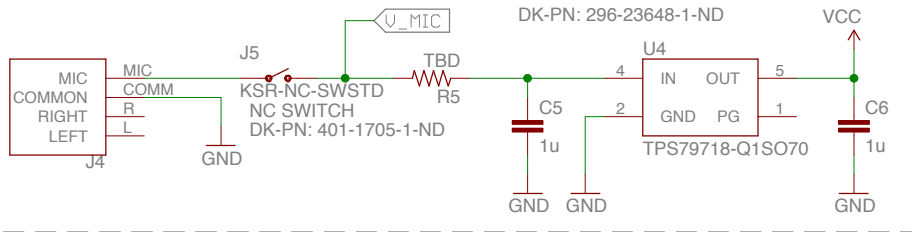
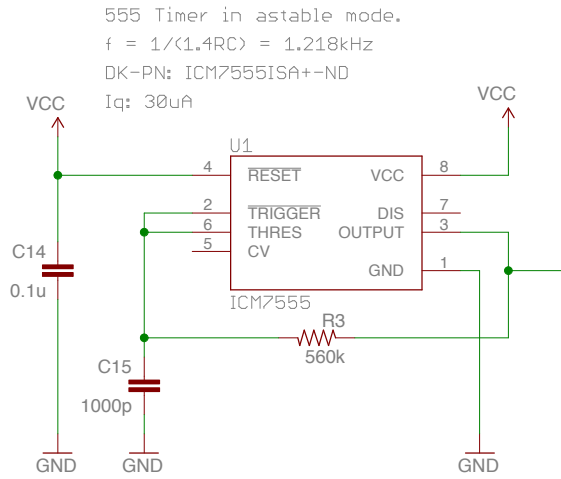


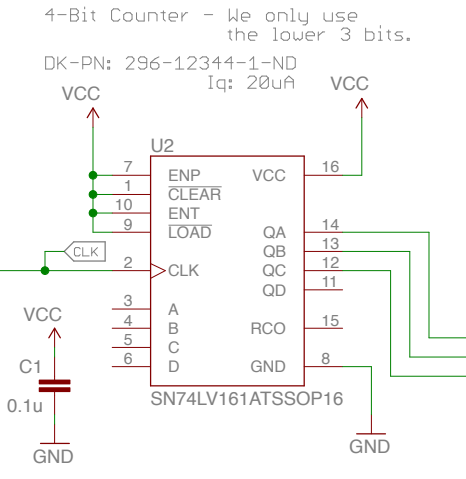
Energy Harvesting



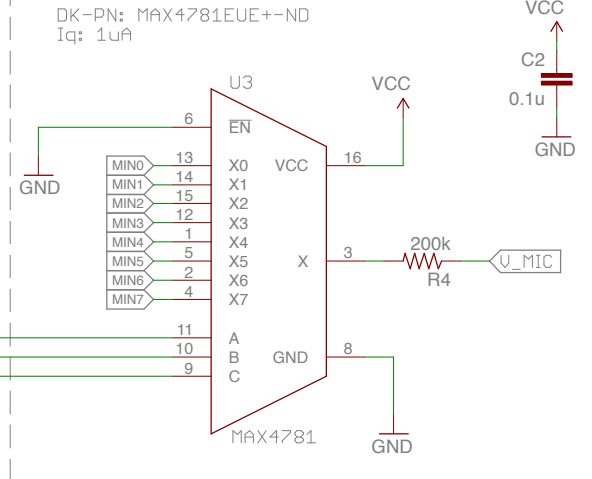
Square Wave Oscillator



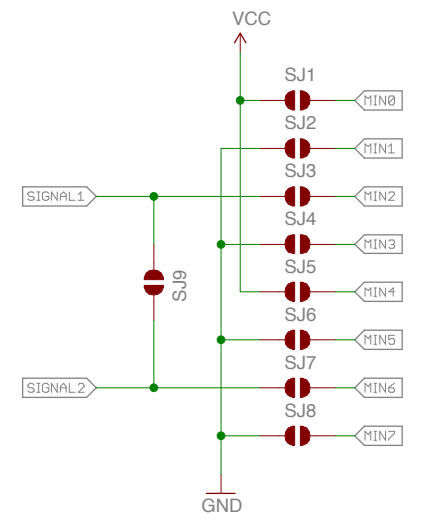
Counter to Switch Mux



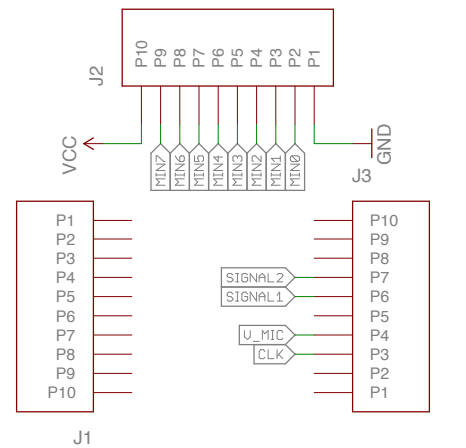
Analog Signal Selection Mux



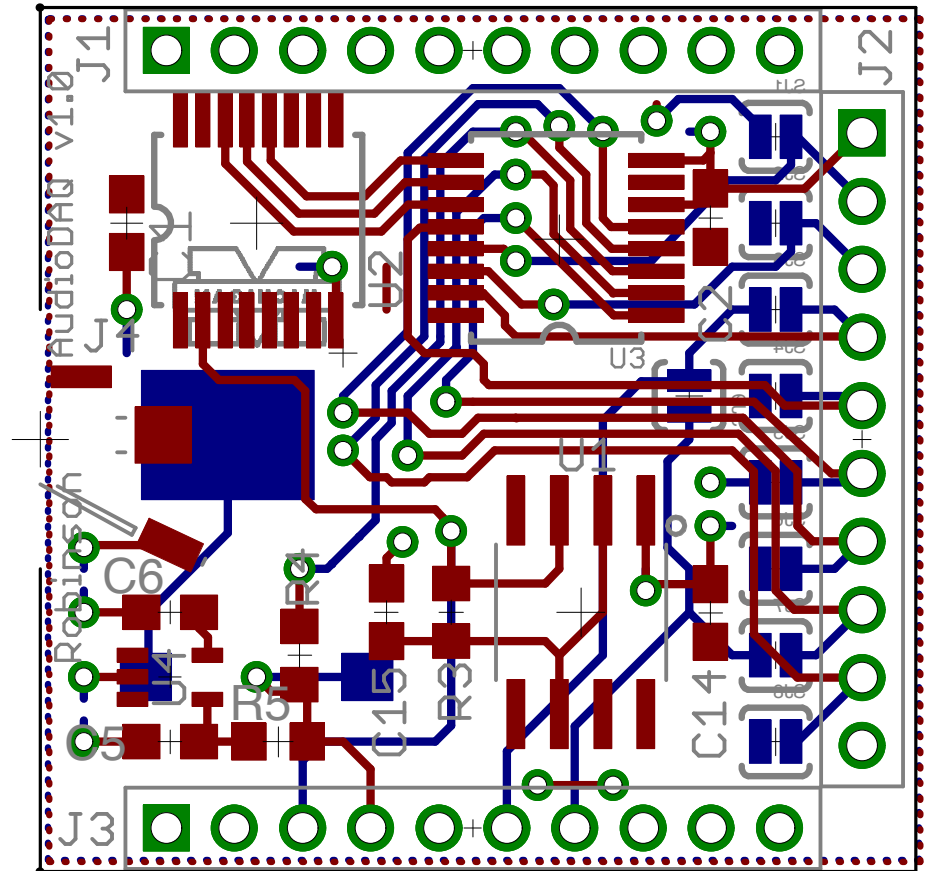
Output Configuration

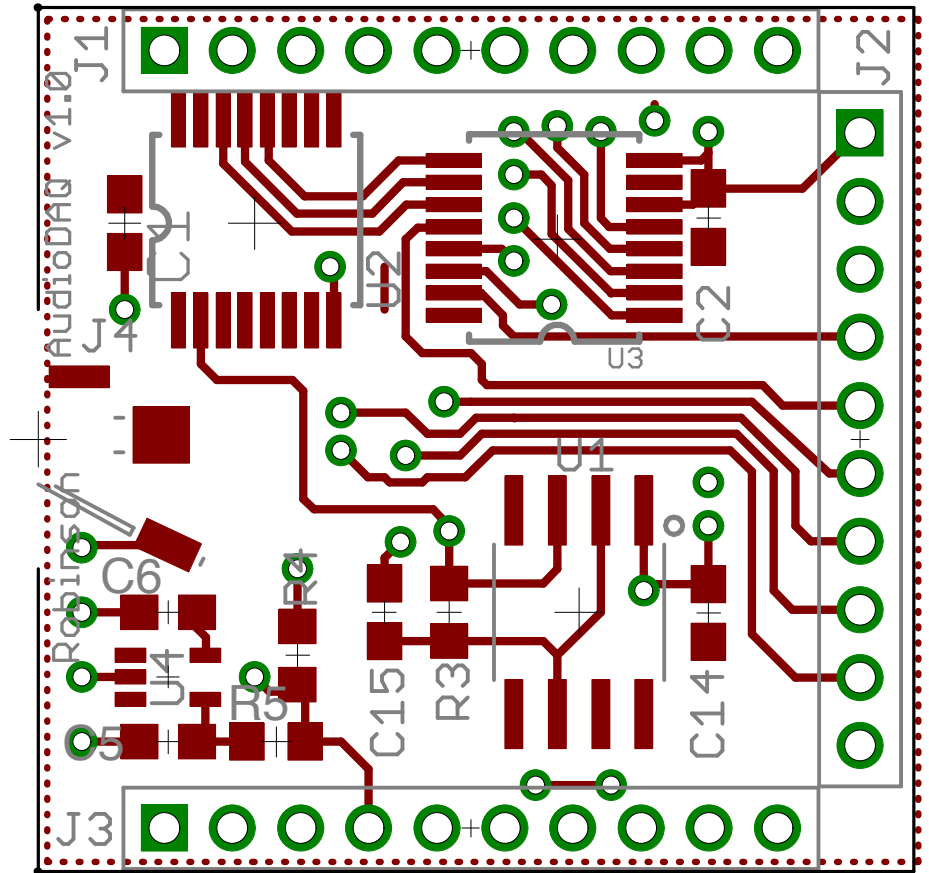


HiJack Footprint Connector

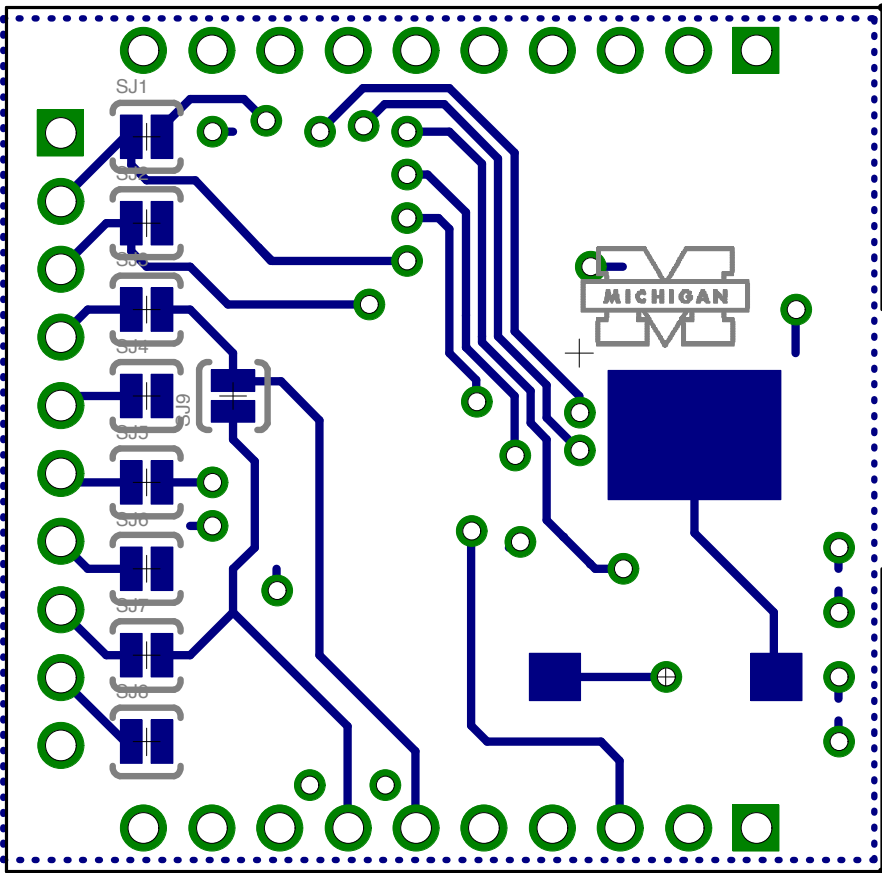


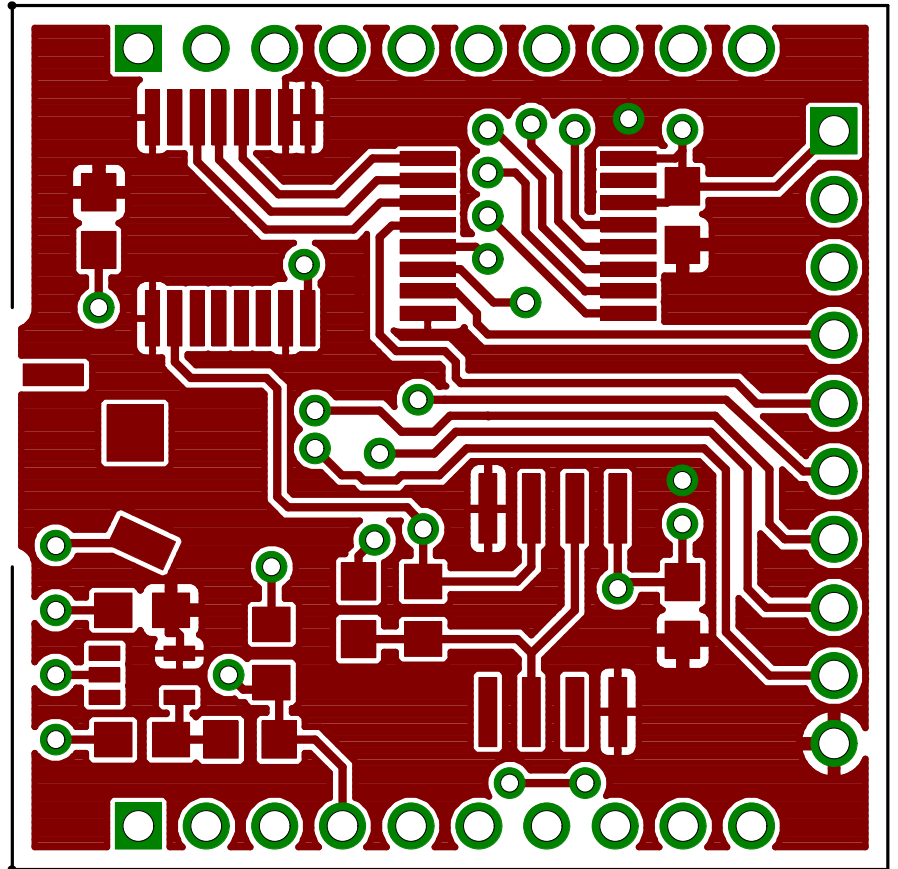
| | |
|------------------------|------------|
| TITLE: audiodaq_b | |
| Document Number: | REV: |
| Date: 12/30/13 7:13 PM | Sheet: 1/1 |



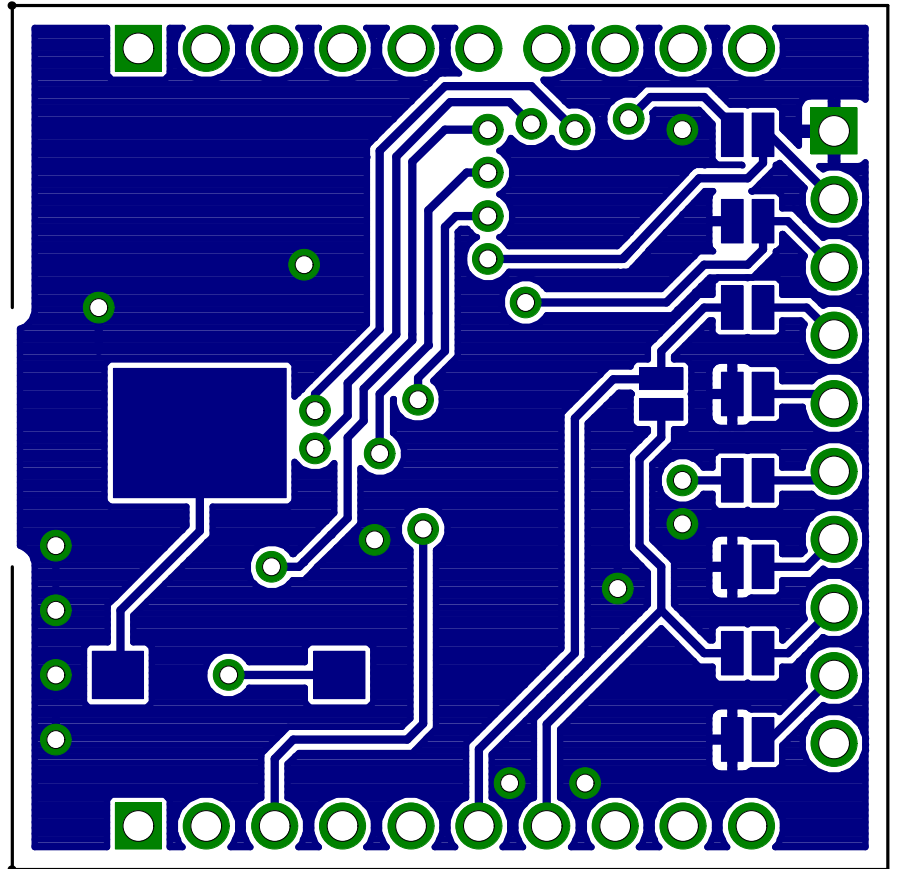


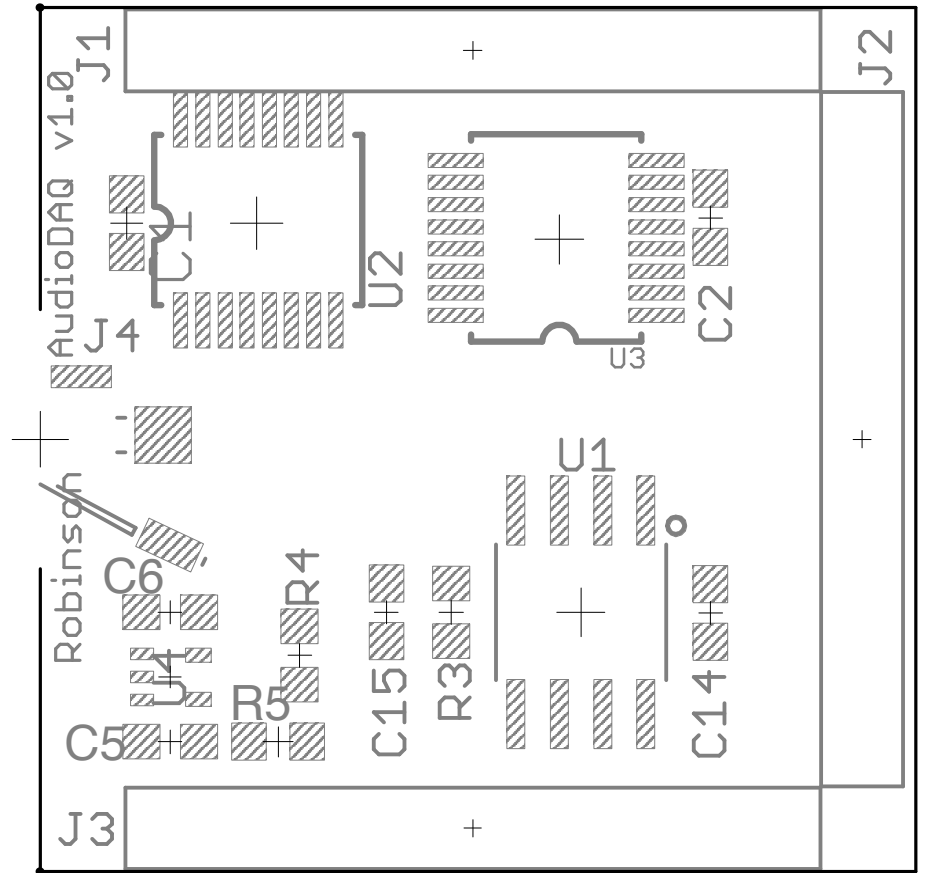
Bottom Layer



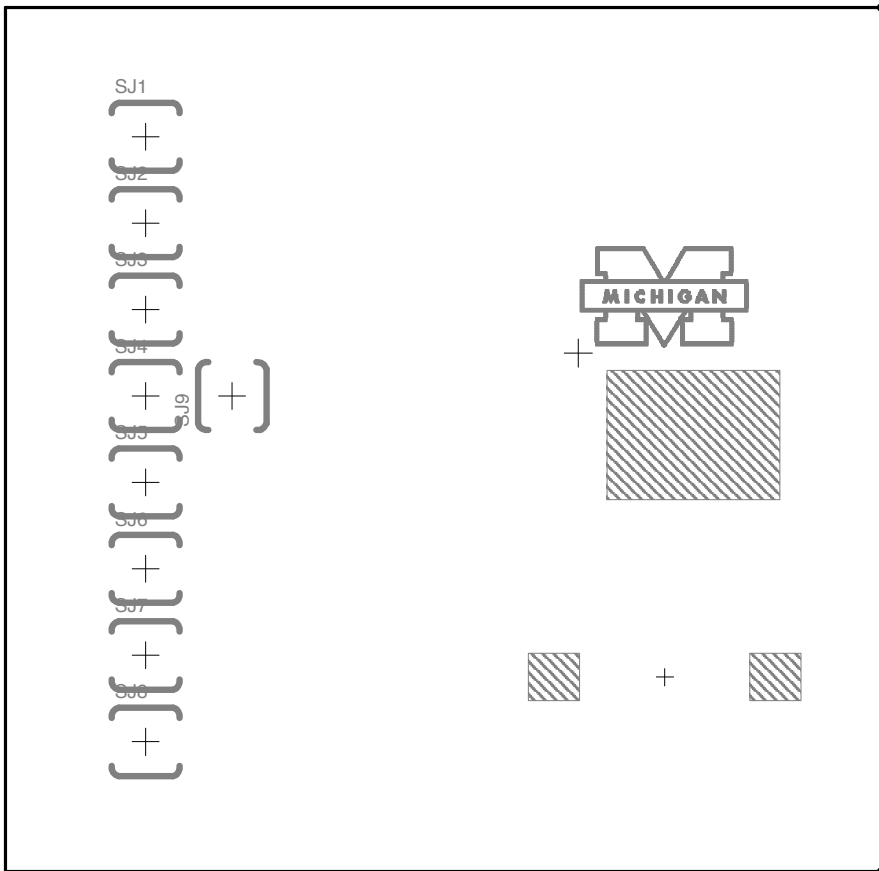


Bottom Copper Layer

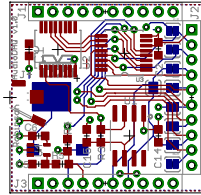




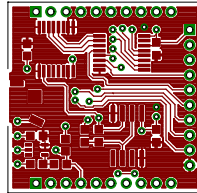
Bottom Paste Layer with Silkscreen



Top and Bottom Layers 1:1 Scale



Top Layer 1:1 Scale



Bottom Copper Layer 1:1 Scale

