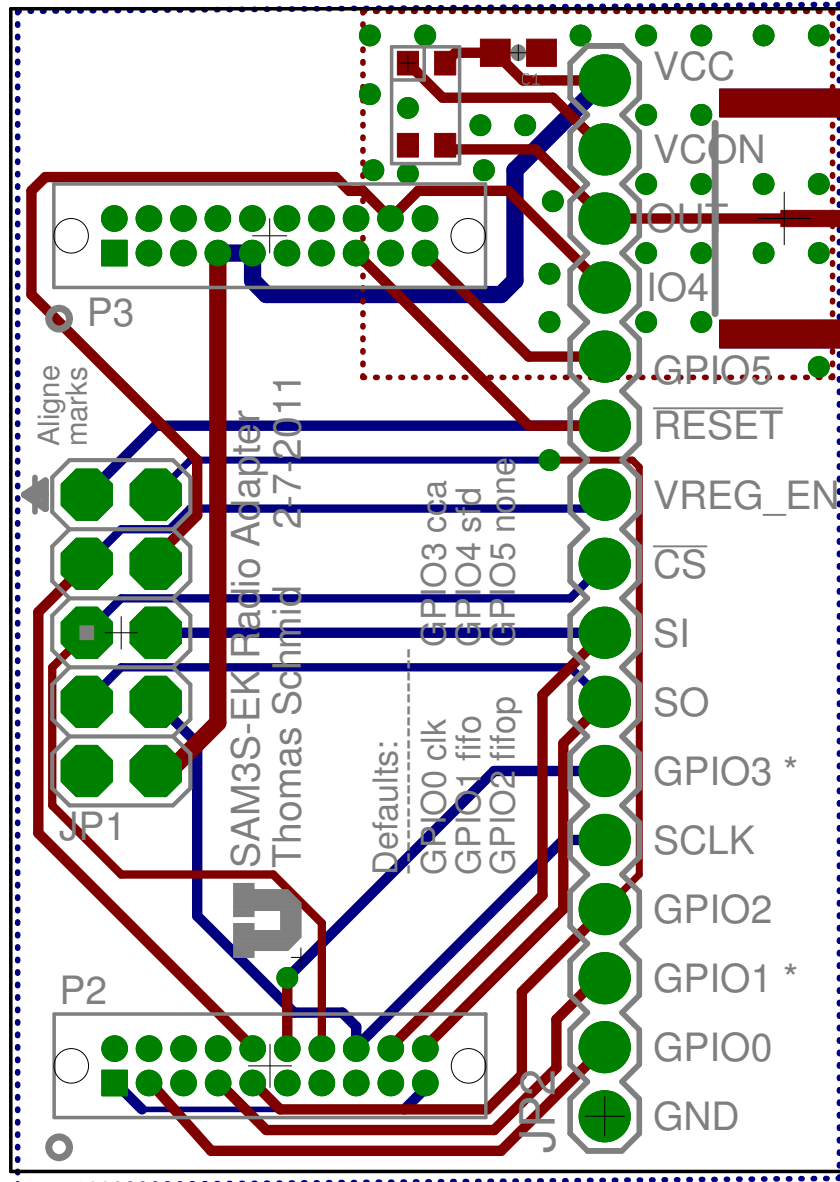
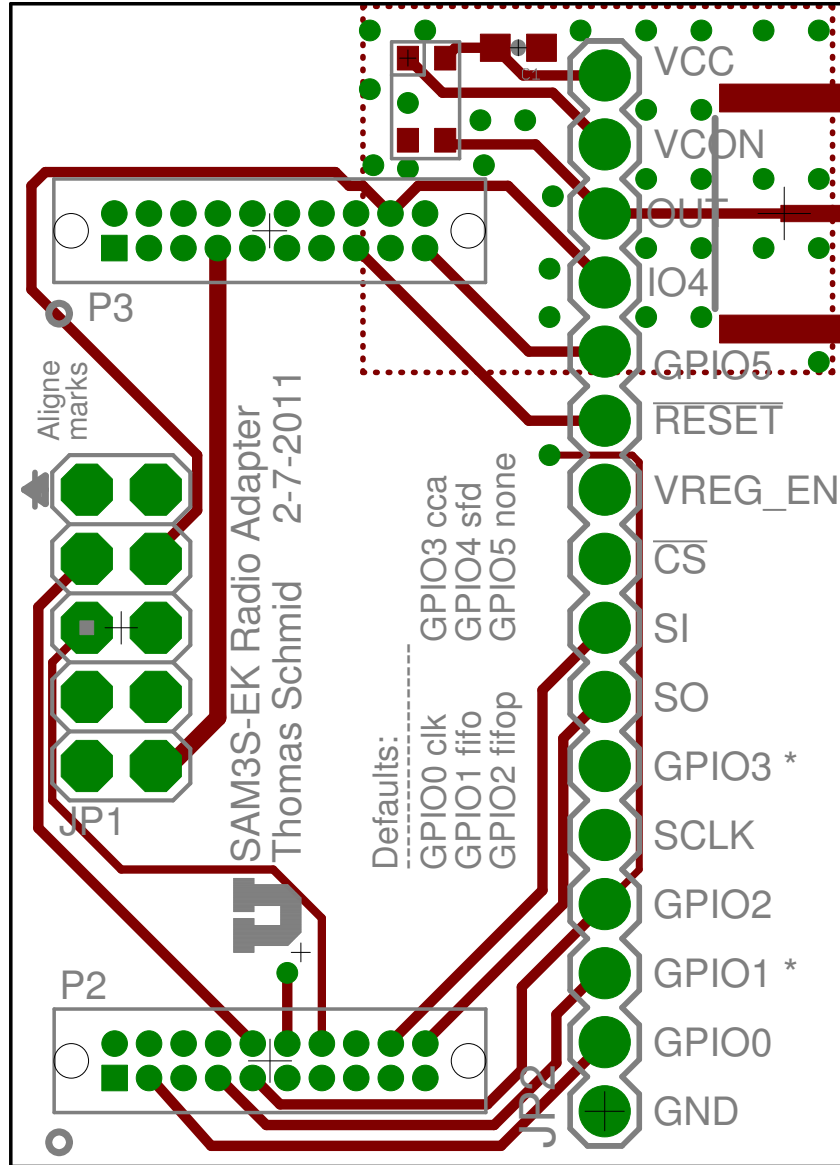
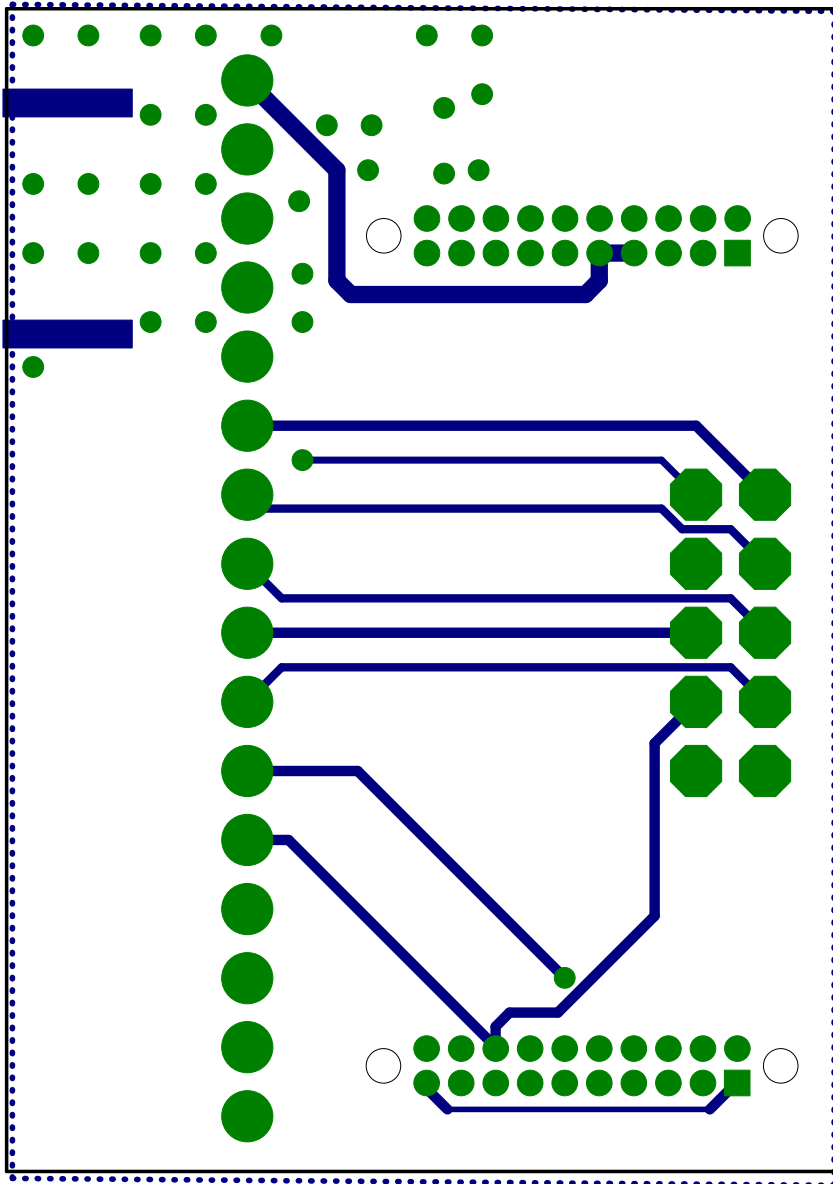


EECS373 Daughter Board
 sam3s-ek-cc2520
 2/8/11 8:40 AM
 Sheet: 1/1

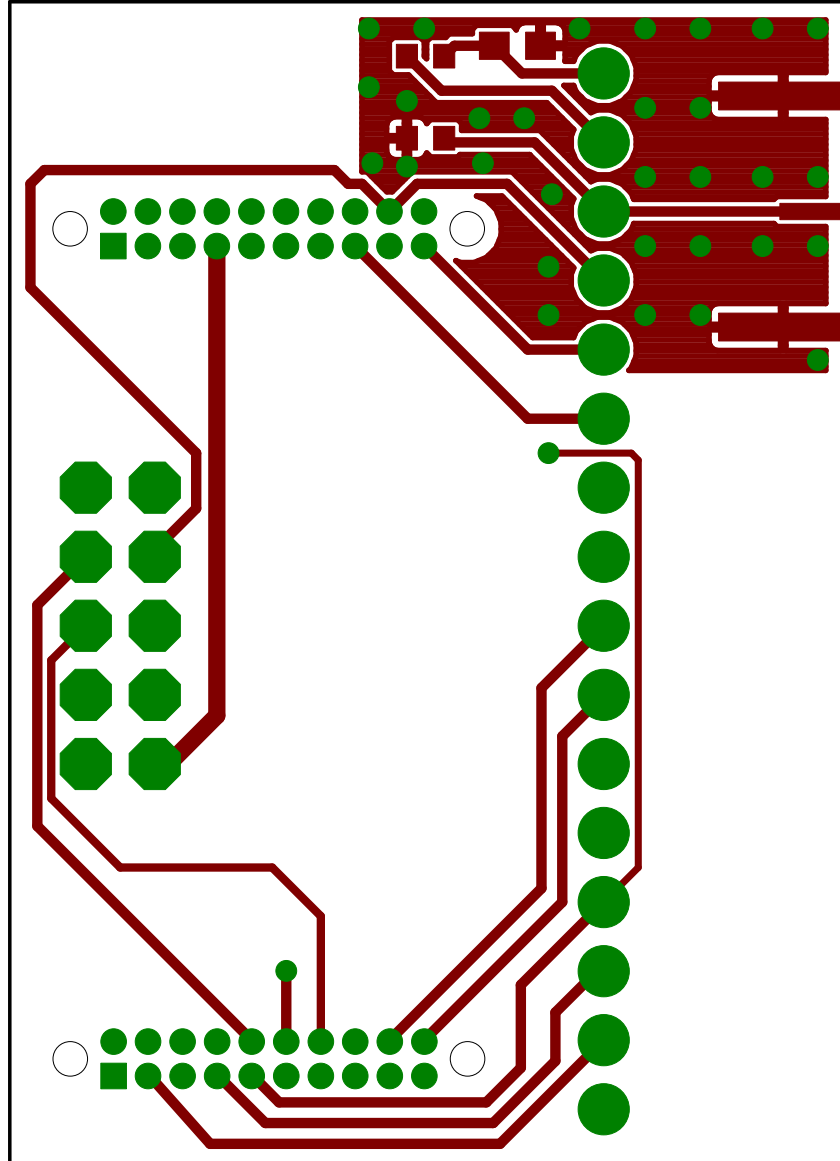




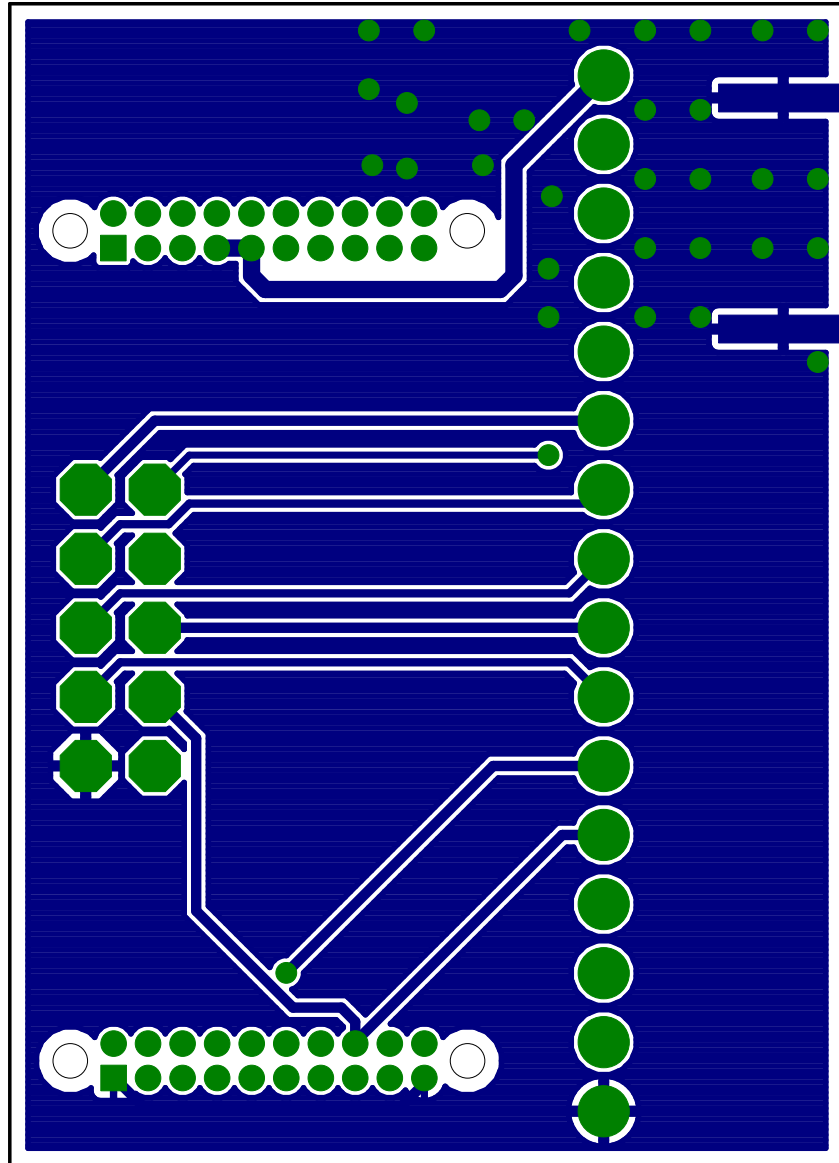
Bottom Layer

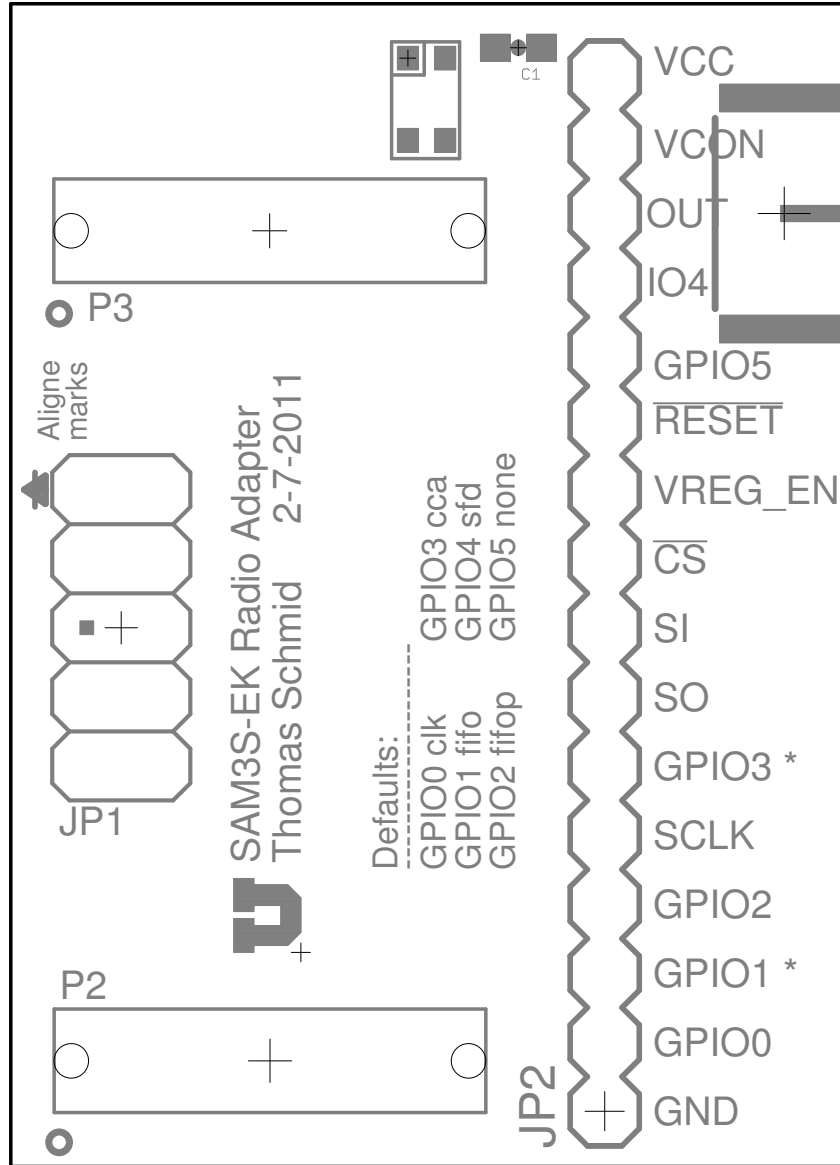


Top Copper Layer

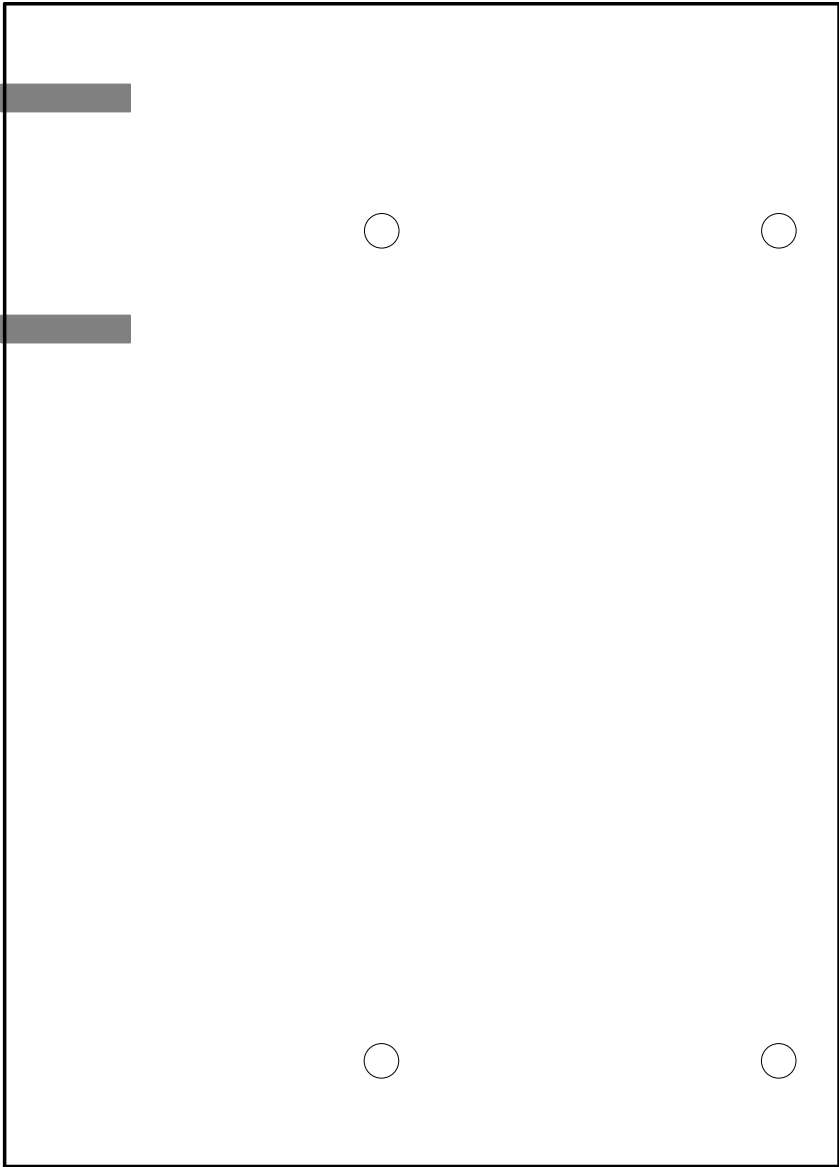


Bottom Copper Layer

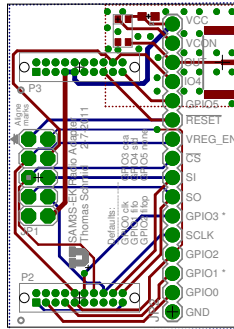




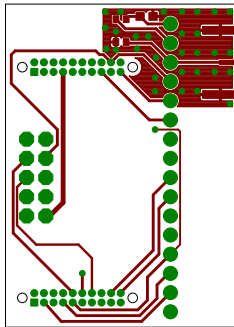
Bottom Paste Layer with Silkscreen



Top and Bottom Layers 1:1 Scale



Top Layer 1:1 Scale



Bottom Copper Layer 1:1 Scale

